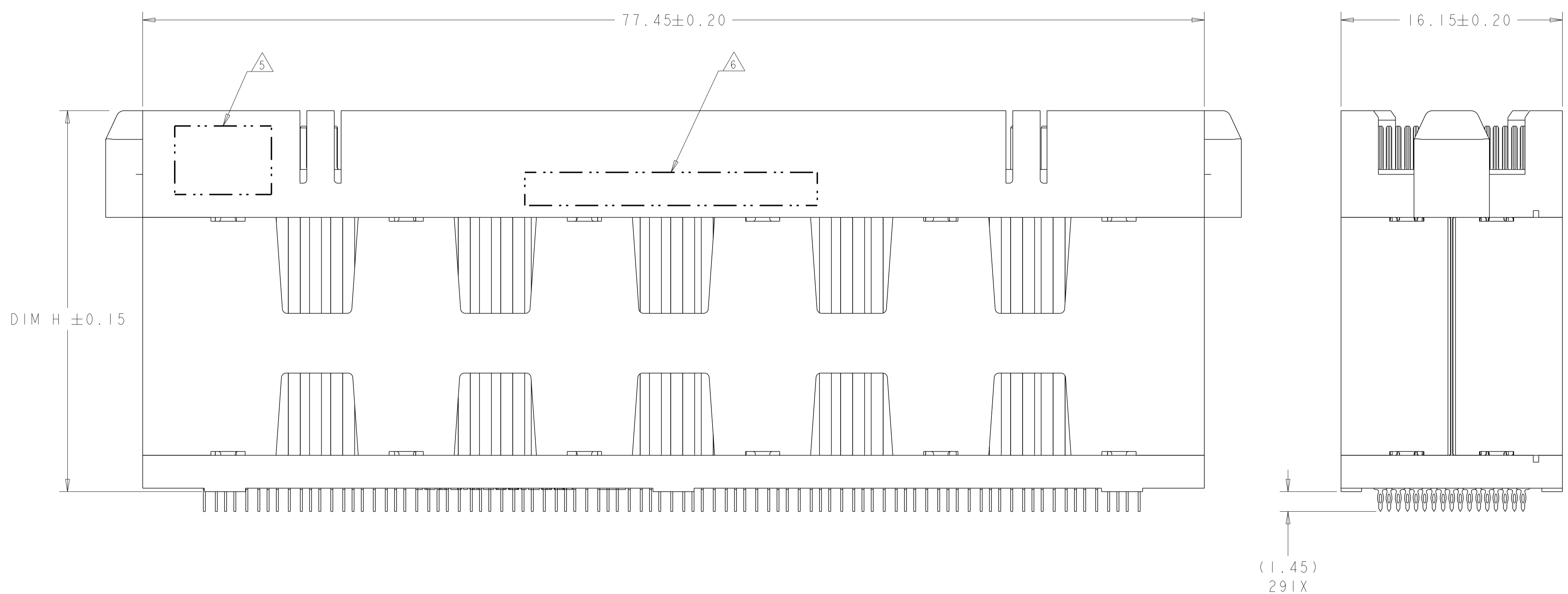
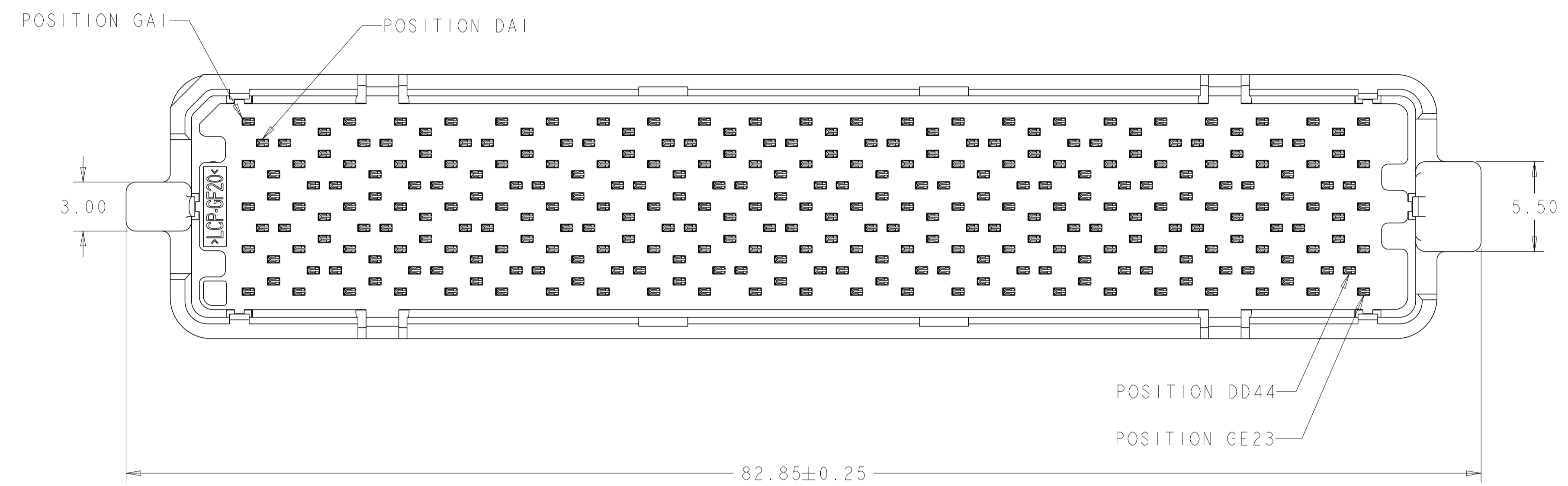


LOC		DIST		REVISIONS			
GP	00	P	LYR	DESCRIPTION	DATE	DWN	APVD
		A		REVISED PER ECO-12-018201	11OCT2012	KH	MH



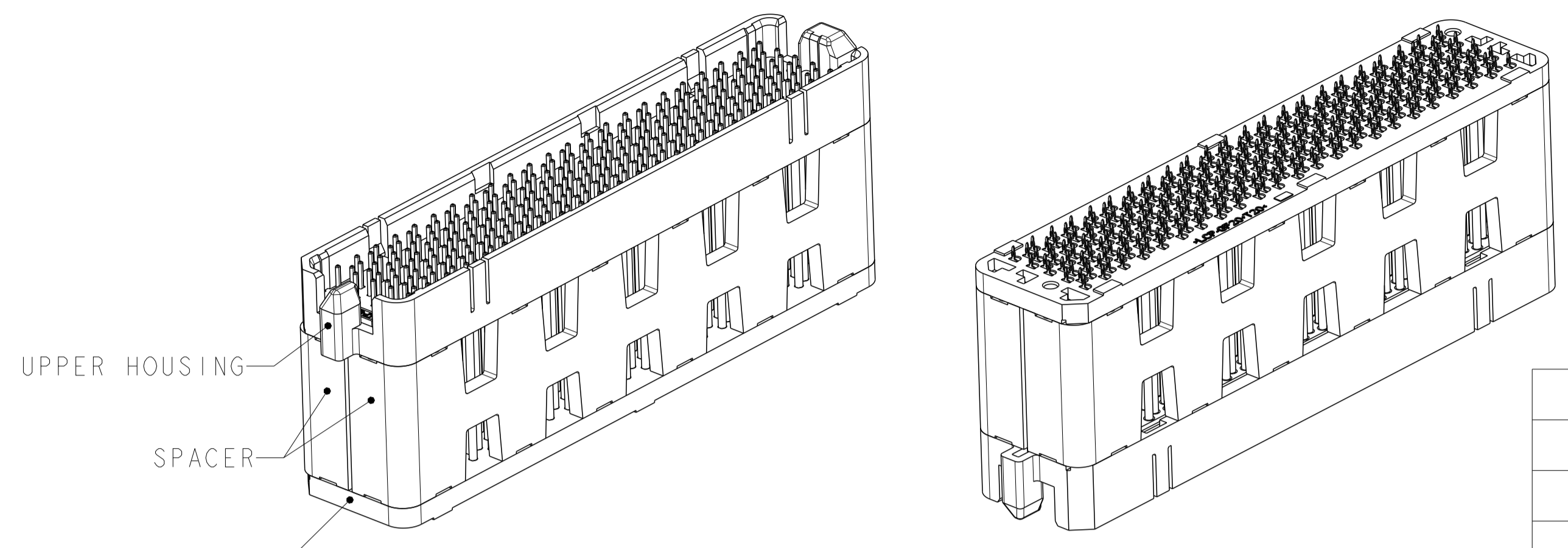
- 1 MATERIAL:
 BASE HOUSING, UPPER HOUSING, ORGANIZER,
 AND SPACER: THERMOPLASTIC, FLAMMABILITY RATING
 UL94 V-0
 CONTACT: COPPER ALLOY
- 2. CONFORMS TO THE REQUIREMENTS OF TE PRODUCT
 SPECIFICATION, 108-2375; BASED ON TELCORDIA
 GR-1217-CORE FOR SYSTEM QUALITY LEVEL III,
 APPLICATIONS IN CONTROLLED ENVIRONMENTS
 (CENTRAL OFFICE).
 SEE TE PRODUCT SPECIFICATION 108-2375 FOR
 TEST SEQUENCES.
- 3 ROWS GA THRU GE (SHOWN DARKENED) ARE TYPICALLY
 USED AS GROUNDS.
- 4 SPECIFIED POSITIONAL TOLERANCE DEFINES HOLE TO
 HOLE LOCATION WITHIN HOLE PATTERN. POSITIONAL
 TOLERANCE OF HOLE PATTERN TO FIDUCIAL MARKS
 OR PCB DATUMS SHALL BE DEFINED BY CUSTOMER.
- 5 AREA RESERVED FOR TE CONNECTIVITY LOGO.
- 6 AREA RESERVED FOR PART NUMBER (X-XXXXXXX-X) AND
 DATE CODE (YYWW).
- 7 USE CENTERLINES INDICATED ON PCB HOLE PATTERN
 TO ESTABLISH ALIGNMENT BETWEEN HEADER AND
 RECEPTACLE BOARDS.
- 8 PLATED THROUGH HOLE REQUIREMENTS:
 HOLE SIZE PRIOR TO PLATING = $\varnothing 0.420 \pm 0.013$
 COPPER PLATING THICKNESS = 0.038 ± 0.013
 CALCULATED FINISHED HOLE SIZE = $\varnothing 0.344 \pm 0.039$
 THESE DIMENSIONS APPLY TO THE TOP 1.25mm OF
 THE PCB THICKNESS FROM THE CONNECTOR MOUNTING
 SIDE.
- 9 CONTACT SALES FOR AVAILABILITY OF THIS STACK
 HEIGHT.

SIZE 3 HALF-WIDE W/GUIDE POSTS *
88 DIFFERENTIAL PAIRS + GROUNDS
291 TOTAL SIGNAL CONTACTS

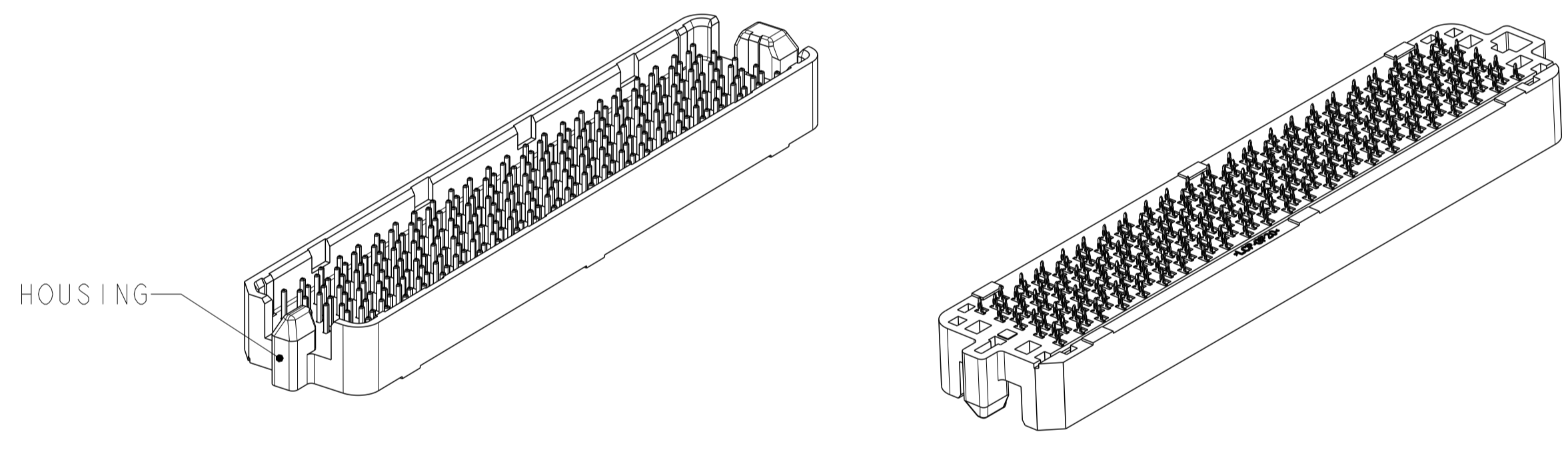
* SIZE 1 AND SIZE 2 ARE ALSO AVAILABLE

THIS DRAWING IS A CONTROLLED DOCUMENT.		DWN HAMNER 01SEP2010	TE Connectivity
DIMENSIONS: mm		CHK D. TROUT 29SEP2010	
TOLERANCES UNLESS OTHERWISE SPECIFIED: 0 PLC ± 1 PLC ±0.13 2 PLC ±0.013 3 PLC ± 4 PLC ± ANGLES ±1 FINISH		APVD J. FEEDER 29SEP2010	NAME
MATERIAL		PRODUCT SPEC	HEADER ASSEMBLY, HALF-WIDE, 88/291, STRADA MESA MEZZANINE CONNECTOR
		APPLICATION SPEC	SIZE CAGE CODE DRAWING NO RESTRICTED TO
		114-13249	A100779C=2149790
		WEIGHT	SCALE 5:1 SHEET 1 OF 4 REV A
		CUSTOMER DRAWING	

LOC	DIST	REVISIONS			
P	LYR	DESCRIPTION	DATE	OWN	APVD
-	-	SEE SHEET 1	-	-	-



ISOMETRIC VIEWS
 TYPICAL CONFIGURATION FOR 14mm THRU 42mm
 28mm SHOWN
 SCALE 2:1



ISOMETRIC VIEWS
 TYPICAL CONFIGURATION FOR 8mm THRU 13mm
 8mm SHOWN
 SCALE 2:1

△	41.8	42mm	MATTE Sn	9-2149790-2
△	40.8	41mm	MATTE Sn	9-2149790-1
△	39.8	40mm	MATTE Sn	9-2149790-0
△	38.8	39mm	MATTE Sn	8-2149790-9
△	37.8	38mm	MATTE Sn	8-2149790-8
△	36.8	37mm	MATTE Sn	8-2149790-7
△	35.8	36mm	MATTE Sn	8-2149790-6
YES	34.8	35mm	MATTE Sn	8-2149790-5
△	33.8	34mm	MATTE Sn	8-2149790-4
△	32.8	33mm	MATTE Sn	8-2149790-3
△	31.8	32mm	MATTE Sn	8-2149790-2
△	30.8	31mm	MATTE Sn	8-2149790-1
△	29.8	30mm	MATTE Sn	8-2149790-0
△	28.8	29mm	MATTE Sn	7-2149790-9
YES	27.8	28mm	MATTE Sn	7-2149790-8
△	26.8	27mm	MATTE Sn	7-2149790-7
△	25.8	26mm	MATTE Sn	7-2149790-6
YES	24.8	25mm	MATTE Sn	7-2149790-5
△	23.8	24mm	MATTE Sn	7-2149790-4
△	22.8	23mm	MATTE Sn	7-2149790-3
△	21.8	22mm	MATTE Sn	7-2149790-2
△	20.8	21mm	MATTE Sn	7-2149790-1
△	19.8	20mm	MATTE Sn	7-2149790-0
△	18.8	19mm	MATTE Sn	6-2149790-9
△	17.8	18mm	MATTE Sn	6-2149790-8
△	16.8	17mm	MATTE Sn	6-2149790-7
△	15.8	16mm	MATTE Sn	6-2149790-6
△	14.8	15mm	MATTE Sn	6-2149790-5
△	13.8	14mm	MATTE Sn	6-2149790-4
△	12.8	13mm	MATTE Sn	6-2149790-3
△	11.8	12mm	MATTE Sn	6-2149790-2
△	10.8	11mm	MATTE Sn	6-2149790-1
△	9.8	10mm	MATTE Sn	6-2149790-0
△	8.8	9mm	MATTE Sn	5-2149790-9
△	7.8	8mm	MATTE Sn	5-2149790-8
TOOLED	DIM H	STACK HEIGHT	CONTACT TAIL PLATING	PART NUMBER

△	41.8	42mm	Sn/Pb	4-2149790-2
△	40.8	41mm	Sn/Pb	4-2149790-1
△	39.8	40mm	Sn/Pb	4-2149790-0
△	38.8	39mm	Sn/Pb	3-2149790-9
△	37.8	38mm	Sn/Pb	3-2149790-8
△	36.8	37mm	Sn/Pb	3-2149790-7
△	35.8	36mm	Sn/Pb	3-2149790-6
YES	34.8	35mm	Sn/Pb	3-2149790-5
△	33.8	34mm	Sn/Pb	3-2149790-4
△	32.8	33mm	Sn/Pb	3-2149790-3
△	31.8	32mm	Sn/Pb	3-2149790-2
△	30.8	31mm	Sn/Pb	3-2149790-1
△	29.8	30mm	Sn/Pb	3-2149790-0
△	28.8	29mm	Sn/Pb	2-2149790-9
YES	27.8	28mm	Sn/Pb	2-2149790-8
△	26.8	27mm	Sn/Pb	2-2149790-7
△	25.8	26mm	Sn/Pb	2-2149790-6
YES	24.8	25mm	Sn/Pb	2-2149790-5
△	23.8	24mm	Sn/Pb	2-2149790-4
△	22.8	23mm	Sn/Pb	2-2149790-3
△	21.8	22mm	Sn/Pb	2-2149790-2
△	20.8	21mm	Sn/Pb	2-2149790-1
△	19.8	20mm	Sn/Pb	2-2149790-0
△	18.8	19mm	Sn/Pb	1-2149790-9
△	17.8	18mm	Sn/Pb	1-2149790-8
△	16.8	17mm	Sn/Pb	1-2149790-7
△	15.8	16mm	Sn/Pb	1-2149790-6
△	14.8	15mm	Sn/Pb	1-2149790-5
△	13.8	14mm	Sn/Pb	1-2149790-4
△	12.8	13mm	Sn/Pb	1-2149790-3
△	11.8	12mm	Sn/Pb	1-2149790-2
△	10.8	11mm	Sn/Pb	1-2149790-1
△	9.8	10mm	Sn/Pb	1-2149790-0
△	8.8	9mm	Sn/Pb	2149790-9
△	7.8	8mm	Sn/Pb	2149790-8
TOOLED	DIM H	STACK HEIGHT	CONTACT TAIL PLATING	PART NUMBER

THIS DRAWING IS A CONTROLLED DOCUMENT.

OWN: HAMNER 01SEP2010
 CHK: D. TROUT 29SEP2010
 APVD: J. FEDDER 29SEP2010

STE TE Connectivity

NAME: HEADER ASSEMBLY, HALF-WIDE, 88/291, STRADA MESA MEZZANINE CONNECTOR

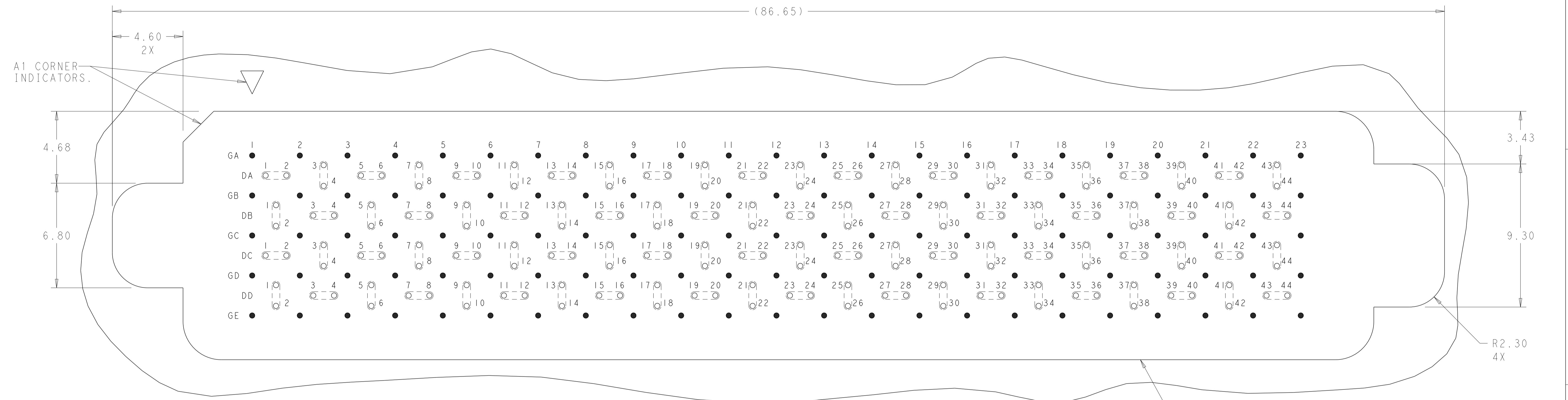
PRODUCT SPEC: 108-2375
 APPLICATION SPEC: 114-13249

SIZE: A1 CAGE CODE: 00779 DRAWING NO: 2149790

RESTRICTED TO: A


CUSTOMER DRAWING SCALE: 5:1 SHEET: 2 OF 4 REV: A

LOC	DIST	REVISIONS			
P	LTN	DESCRIPTION	DATE	DMN	APVD
-	-	SEE SHEET 1	-	-	-

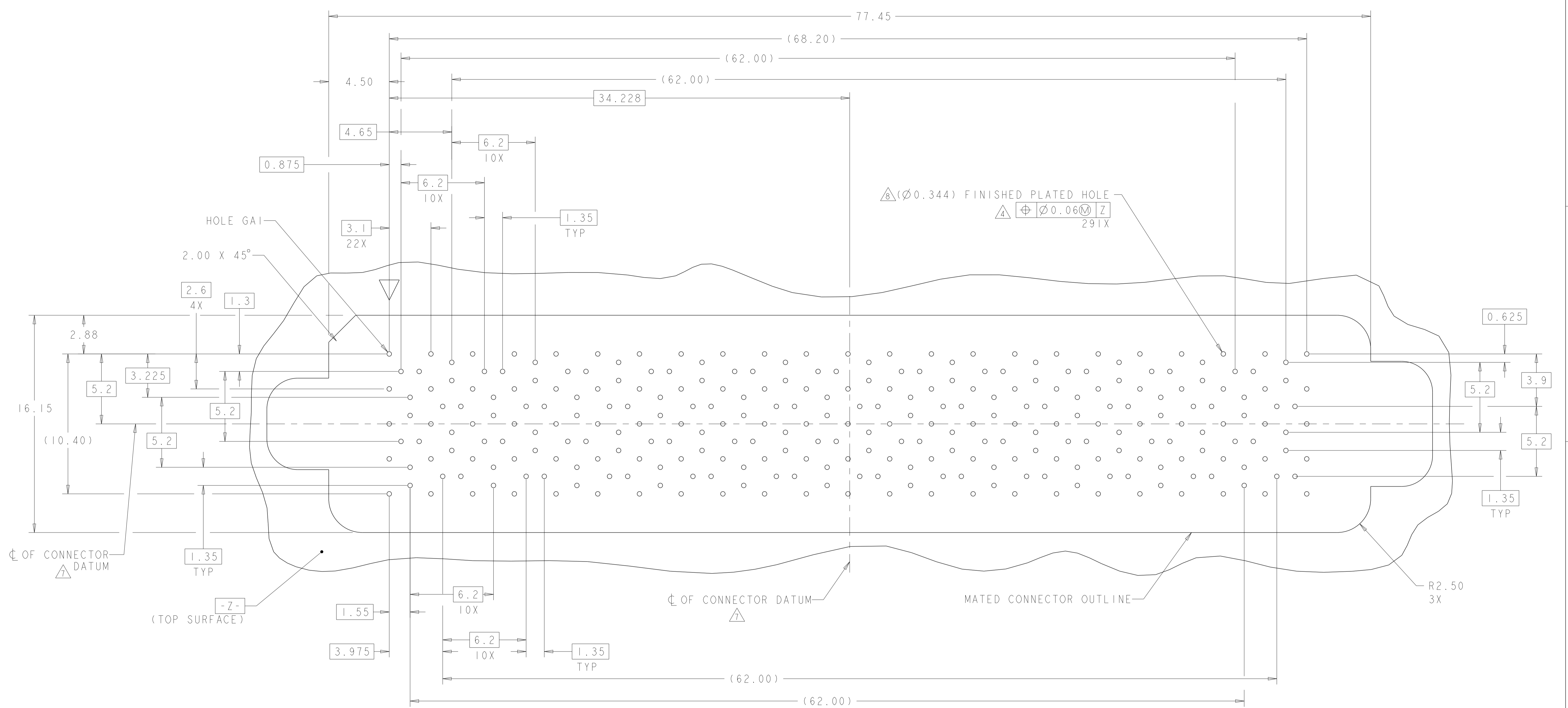


PCB LAYOUT AND PIN IDENTIFICATION 
 SHOWN FROM CONNECTOR SIDE
 SCALE 8:1

MATED CONNECTOR OUTLINE
 SEE SHEET 4 FOR LOCATION TO HOLES

THIS DRAWING IS A CONTROLLED DOCUMENT.		DMN HAMNER 01SEP2010	 TE Connectivity
DIMENSIONS: mm		CHK D. TROUT 29SEP2010	
TOLERANCES UNLESS OTHERWISE SPECIFIED:		APVD J. FEDDER 29SEP2010	NAME
0 PLC ±	1 PLC ±	PRODUCT SPEC	HEADER ASSEMBLY,
2 PLC ±0.13	3 PLC ±0.013	APPLICATION SPEC	HALF-WIDE, 88/291,
4 PLC ±	ANGLES ±1	FINISH	STRADA MESA MEZZANINE CONNECTOR
MATERIAL	WEIGHT	114-13249	SIZE CAGE CODE DRAWING NO RESTRICTED TO
CUSTOMER DRAWING	SCALE 5:1	A100779C=2149790	SHEET 3 OF 4 REV A

LOC	DIST	REVISIONS			
P	LTN	DESCRIPTION	DATE	DWN	APVD
-	-	SEE SHEET 1	-	-	-



PCB HOLE PATTERN
 SHOWN FROM CONNECTOR SIDE
 SCALE 7:1

THIS DRAWING IS A CONTROLLED DOCUMENT.		DWN HAMNER 01SEP2010	
DIMENSIONS: mm		CHK D. TROUT 29SEP2010	
TOLERANCES UNLESS OTHERWISE SPECIFIED:		APVD J. FEDDER 29SEP2010	NAME
0 PLC ±	1 PLC ±	PRODUCT SPEC	HEADER ASSEMBLY, HALF-WIDE, 88/291, STRADA MESA MEZZANINE CONNECTOR
2 PLC ±0.13	3 PLC ±0.013	APPLICATION SPEC	SIZE CAGE CODE DRAWING NO RESTRICTED TO
4 PLC ±	ANGLES ±1	FINISH	A100779C=2149790
MATERIAL	WEIGHT	114-13249	SCALE 5:1 SHEET 4 OF 4 REV A
CUSTOMER DRAWING			

X-ON Electronics

Largest Supplier of Electrical and Electronic Components

Click to view similar products for [High Speed/Modular Connectors](#) category:

Click to view products by [TE Connectivity](#) manufacturer:

Other Similar products are found below :

[650827-1](#) [74040-1346](#) [1410191-1](#) [1410368-3](#) [1410964-2](#) [1410326-3](#) [1410367-3](#) [1410971-4](#) [1467833-1](#) [2000877-1](#) [2000878-1](#) [2041314-1](#)
[2065387-1](#) [2187307-1](#) [163P](#) [1934290-1](#) [2000875-1](#) [2065917-1](#) [2102736-2](#) [FSR-40](#) [2169868-2](#) [22354-8](#) [437-5040-000](#) [5-1393565-0](#) [039-](#)
[0246-000](#) [0740618502](#) [0761601016](#) [0784461022](#) [10123159-12ELF](#) [030-2415-003/100 PK](#) [030-7380-004](#) [030-2494-001](#) [532939-1](#) [5532901-](#)
[3](#) [3-1469268-7](#) [74748-102LF](#) [10041743-101LF](#) [10066670-100002LF](#) [1-533915-1](#) [249-4515-000](#) [7-1469373-3](#) [DL2-2J/S](#) [2000713-8](#)
[2000713-7](#) [10124313-101LF](#) [3011-21](#) [757105208](#) [430305-001](#) [4395800100](#) [8140115](#)