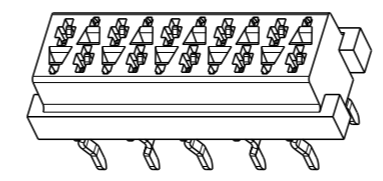
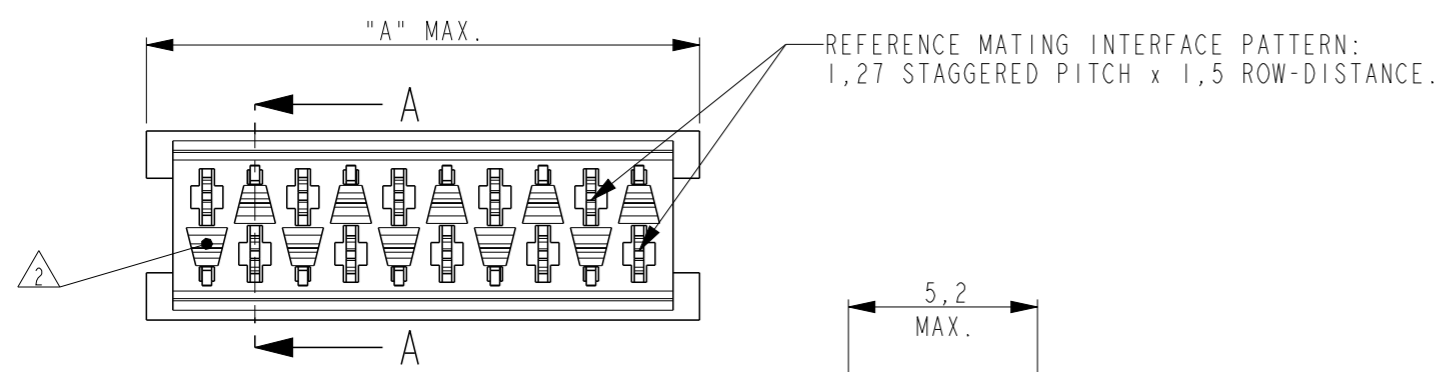


THIS DRAWING IS UNPUBLISHED. RELEASED FOR PUBLICATION
 © COPYRIGHT - BY - ALL RIGHTS RESERVED.

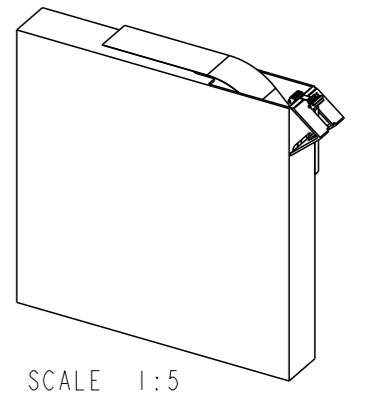
REVISIONS

| P | LTR | DESCRIPTION | DATE | DWN | APVD |
|---|-----|---------------------------------------|-----------|-----|------|
| | Y1 | ADHESIVE TAPE WIDTH DIMENSION REMOVED | 04FEB2016 | SS | PS |



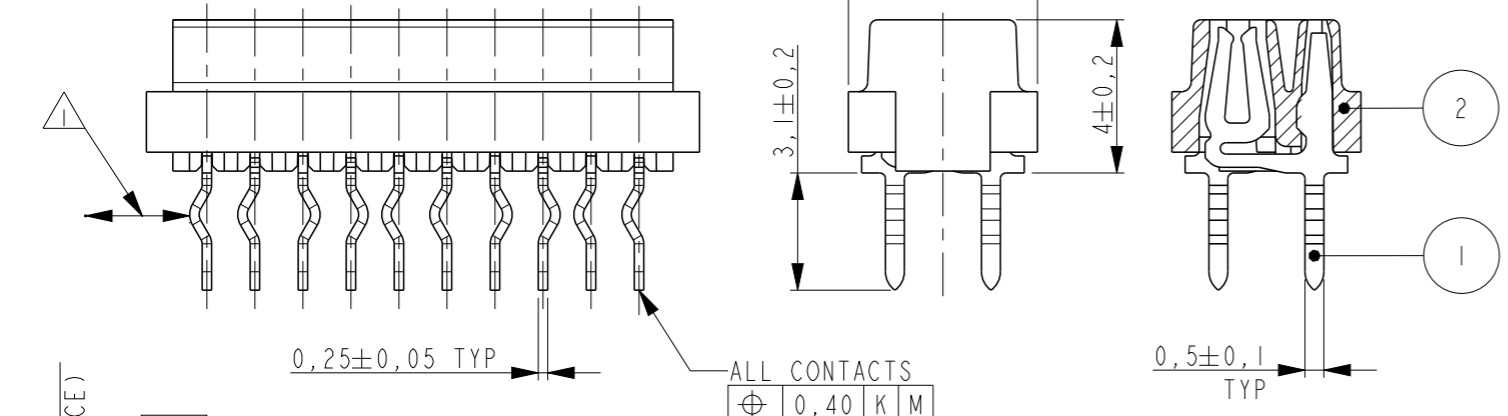
SCALE 3:1

| PARTNUMBER BOX PACKAGING | PARTNUMBER REEL PACKAGING | NR OF POS "n" | DIMENSION "A" MAX |
|--------------------------|---------------------------|---------------|-------------------|
| 7-215079-4 | 215079-4 | 4 | 7,1 |
| 7-215079-6 | 215079-6 | 6 | 9,7 |
| 7-215079-8 | 215079-8 | 8 | 12,2 |
| 8-215079-0 | 1-215079-0 | 10 | 14,7 |
| 8-215079-2 | 1-215079-2 | 12 | 17,3 |
| 8-215079-4 | 1-215079-4 | 14 | 19,8 |
| 8-215079-6 | 1-215079-6 | 16 | 22,4 |
| 8-215079-8 | 1-215079-8 | 18 | 24,9 |
| 9-215079-0 | 2-215079-0 | 20 | 27,4 |

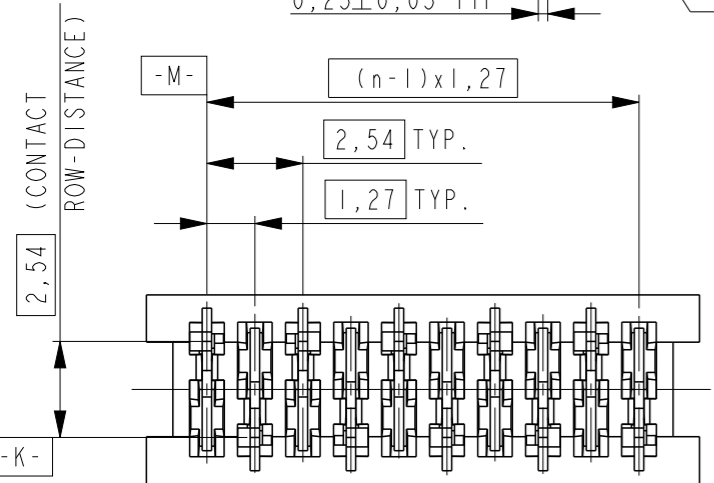


SCALE 1:5

BOX PACKAGING
250 CONNECTORS PER BOX
FOR ALL PARTNUMBERS

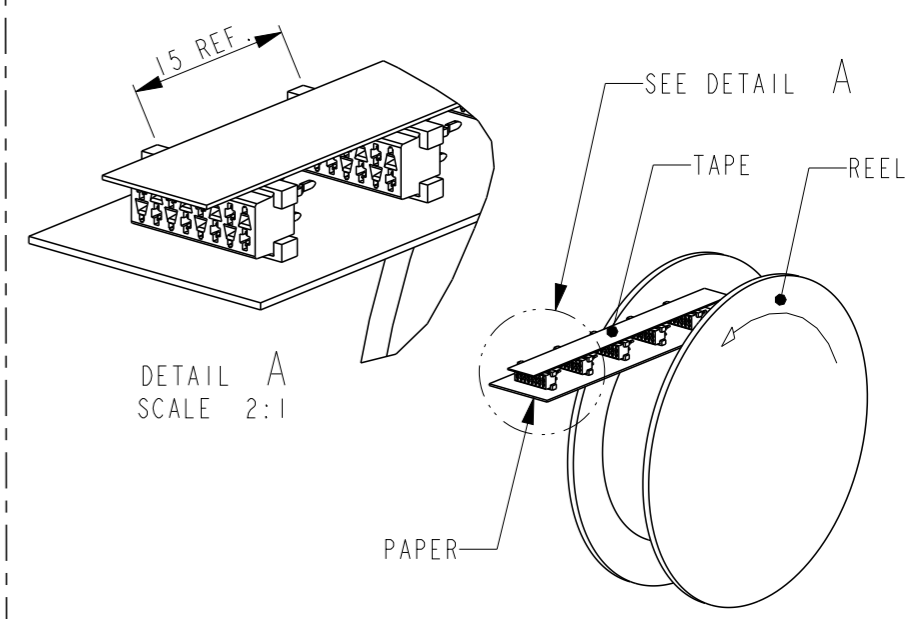


SECTION A-A



NOTES:

- 1 IN EACH ROW, DIRECTION OF KINKS STARTS RANDOM. IN EACH ROW, SEQUENTIAL CONTACTS HAVE OPPOSITE KINK DIRECTIONS.
- 2 CORING-OUTS FOR MANUFACTURING PURPOSE ONLY. SHAPE MAY VARY, BUT IS NOT FUNCTIONAL FOR THE APPLICATION.
- 3 SHOWN IS A 10 POSITION CONNECTOR.

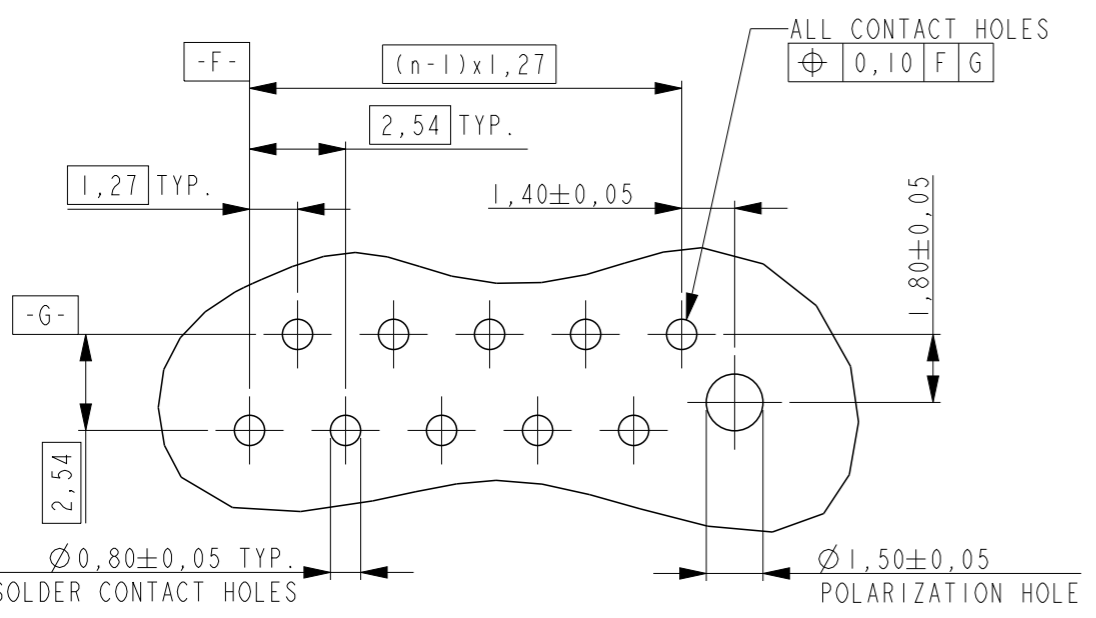


DETAIL A
SCALE 2:1

REEL PACKAGING
DEREELING DIRECTION AND CONNECTOR POSITION
2500 CONNECTORS PER REEL FOR ALL PARTNUMBERS

| ITEM NO. | COMPONENT DESCRIPTION | MATERIAL | FINISH / COLOR |
|----------|-----------------------|--------------------|-----------------|
| 2 | FEMALE HOUSING | G.F. POLYESTER PBT | RED |
| 1 | FEMALE CONTACT | PHOSPHOR BRONZE | TIN OVER NICKEL |

PC-BOARD HOLE LAYOUT
(COMPONENT SIDE OF BOARD SHOWN)



| | | |
|--|-----------|---------------------|
| THIS DRAWING IS A CONTROLLED DOCUMENT. | | DWN M. GOSSELINK |
| DIMENSIONS: mm | | CHK - |
| TOLERANCES UNLESS OTHERWISE SPECIFIED: | | APVD - |
| 0 PLC | ±- | PRODUCT SPEC |
| 1 PLC | ±- | 108-19052 |
| 2 PLC | ±- | APPLICATION SPEC |
| 3 PLC | ±- | - |
| 4 PLC | ±- | WEIGHT |
| ANGLES | ±- | - |
| MATERIAL | SEE TABLE | CUSTOMER DRAWING |
| FINISH | SEE TABLE | |



CONNECTOR,
FEMALE-ON-BOARD TOP-ENTRY,
THRU-HOLE, Micro-MatCh

| SIZE | CAGE CODE | DRAWING NO | RESTRICTED TO |
|------|-----------|------------|---------------|
| A3 | - | C-215079 | - |

X-ON Electronics

Largest Supplier of Electrical and Electronic Components

Click to view similar products for [Headers & Wire Housings](#) category:

Click to view products by [TE Connectivity](#) manufacturer:

Other Similar products are found below :

[892-18-020-10-001101](#) [58102-G61-06LF](#) [582553-1](#) [0009485154](#) [009176003701906](#) [0050291907](#) [LY20-4P-DT1-P1E-BR](#) [02.125.8002.8](#)
[609-3404](#) [61062-3](#) [61082-181009](#) [622-3653LF](#) [63453-116](#) [636-1030](#) [636-1427](#) [636-3427](#) [636-4007](#) [641938-9](#) [641991-4](#) [644827-2](#) [65817-010LF](#) [65817-015LF](#) [65863-015LF](#) [66207-023LF](#) [67095-007LF](#) [67601157](#) [68645-018](#) [68648-049](#) [70.362.1628.0](#) [70-4210](#) [70-4226B](#) [70-4853B](#) [707-5020](#) [707-5028](#) [71.350.2428.0](#) [71918-208LF](#) [71961-016LF](#) [733-134](#) [733-162](#) [754199-000](#) [760-3052](#) [787-8014-00](#) [79531-3000](#)
[FCN-360C032-B](#) [FCN-367T-T012/H](#) [FCN-723D010/2](#) [80.063.4001.1](#) [800-90-001-10-001000](#) [800-90-010-10-002000](#) [801-43-002-10-013000](#)