

ATLANTIC VERSION TERMINATOR
 INTERFACE ADAPTER



PART NUMBER	REVISION	DESCRIPTION	FEED TYPE
2151050-1	L	FINE CRIMP HEIGHT ADJUST	MECHANICAL
2151050-2	M	FINE CRIMP HEIGHT ADJUST	PNEUMATIC
5-2151050-1	L	SEAL STRIPPER CRIMPER TERMINATING UNIT	MECHANICAL
5-2151050-2	M	SEAL STRIPPER CRIMPER TERMINATING UNIT	PNEUMATIC
7-2151050-1	L	MECHANICAL AND CRIMP TOOLING KIT	MECHANICAL
7-2151050-2	M	PNEUMATIC AND CRIMP TOOLING KIT	PNEUMATIC
7-2151050-7	A	CRIMP TOOLING KIT	-

APPLICATOR DATA		
CRIMP	SIZE	TYPE
WIRE	1.57 mm [.062]	F
INSUL	2.29 mm [.090]	O

APPLICATOR INSTRUCTIONS
 408-35042

TERMINAL DATA: TE TERMINAL		TE CRIMP SPECIFICATION	
TERMINAL NAME: MICRO TIMER 2 CONTACT			
WIRE STRIP LENGTH		INSULATION DIAMETER RANGE	
3.50-4.20 mm [.138-.165 IN]		Ø1.15-1.60 mm [.045-.063 IN]	
TERMINAL APPLICATION SPECIFICATION	114-18081		
TERMINALS APPLIED			
TE TERMINAL	TE TERMINAL	TE TERMINAL	TE TERMINAL
964261-2	964261-3	4-964261-1	1241858-2
4-1241858-1			

TERMINAL DATA: TE TERMINAL		TE CRIMP SPECIFICATION	
TERMINAL NAME: TAB 1.6 X 0.6 TYPE A			
WIRE STRIP LENGTH		INSULATION DIAMETER RANGE	
3.20-3.80 mm [.126-.150 IN]		Ø1.15-1.60 mm [.045-.063 IN]	
TERMINAL APPLICATION SPECIFICATION	114-18082		
TERMINALS APPLIED			
TE TERMINAL	TE TERMINAL	TE TERMINAL	TE TERMINAL
964265-2	964265-3		

TERMINAL DATA: TE TERMINAL		TE CRIMP SPECIFICATION	
TERMINAL NAME: TAB 1.6 X 0.6 TYPE A			
WIRE STRIP LENGTH		INSULATION DIAMETER RANGE	
3.20-3.80 mm [.126-.150 IN]		Ø1.2-1.4 mm [.047-.055 IN]	
TERMINAL APPLICATION SPECIFICATION	(A)114-18082		
TERMINAL APPLICATION SPECIFICATION	(B)114-18081		
TERMINALS APPLIED			
TE TERMINAL	TE TERMINAL	TE TERMINAL	TE TERMINAL
(A) 2141882-2	(A) 2141882-3	(B) 2141900-2	(B) 2141900-3

WIRE SIZE	CRIMP HEIGHT mm [INCH]	CRIMP HEIGHT REFERENCE SETTING
0.50mm2	1.12+/-0.05 [.044+/- .002]	5.0
0.35mm2	1.05+/-0.03 [.041+/- .001]	5.8
0.25mm2	1.00+/-0.03 [.039+/- .001]	6.3
0.20mm2	0.98+/-0.03 [.039+/- .001]	6.5

WIRE SIZE	CRIMP HEIGHT mm [INCH]	CRIMP HEIGHT REFERENCE SETTING
0.35mm2	1.05+/-0.03 [.041+/- .001]	8.6
0.25mm2	1.00+/-0.03 [.039+/- .001]	9.0
0.20mm2	0.98+/-0.03 [.039+/- .001]	9.1

WIRE SIZE	CRIMP HEIGHT mm [INCH]	CRIMP HEIGHT REFERENCE SETTING
0.35mm2	1.08+/-0.03 [.043+/- .001]	6.7
0.22mm2	1.02+/-0.05 [.040+/- .002]	7.5

- 1 RECOMMENDED SPARE PARTS
- 2 REFER TO SUPPLIED INSTRUCTION SHEET FOR CLEANING, LUBRICATION AND STORAGE OF APPLICATOR.
- 3 APPLY PART NUMBER 2-23419-6 LOCTITE TO THREADS OF ITEM 242. APPLY PART NUMBER 1-23419-5 LOCTITE TO THREADS OF ITEM 180.
- 4 CRIMP HEIGHT REFERENCE SETTING WAS THE SETTING USED WHEN THE APPLICATOR WAS QUALIFIED AT THE FACTORY. ADJUSTMENT MAY BE NECESSARY WHEN RUNNING APPLICATOR IN THE FIELD.
- 5 TERMINAL LUBRICANT IS RECOMMENDED.
- 6 UNLESS SPECIFIED OTHERWISE TORQUE VALUES SHALL BE USED PER DOCUMENT, 101-35000.
- 7 0.22mm2 WIRE SIZE TO BE USED ONLY WITH TERMINAL PN 2141882.

***WARNING**
 ON INSTALLATION, SET WIRE DISC TO CRIMP HEIGHT REFERENCE SETTING FOR LARGEST WIRE SIZE. CRIMP HEIGHT REFERENCE SETTINGS GREATER THAN THE VALUE SHOWN MAY CAUSE DAMAGE TO THE CRIMP TOOLING. REFER TO THE INSTRUCTION SHEET FOR PROPER SETUP AND ADJUSTMENTS.

LOC	DIST	REVISIONS					
A	66	P	LTN	DESCRIPTION	DATE	OWN	APVD
		K1		ECR-18-013279	21AUG2018	KH	GB
		L		ECR-19-001284	24JAN2019	TB	TE
		M		ECR-19-005517	05APR2019	LG	TE
		M1		ECR-21-000570	18JAN2021	FJ	YY

-	-	-	1	1	-	-	1803515-3	RAM ASSEMBLY, SF ATLANTIC	293
-	-	-	1	1	-	-	2-1803583-1	APPLICATOR BASIC ASSEMBLY, SF	292
-	2	2	2	2	2	2	2168083-1	SCR, SKT HD CAP, RoHS, M3 X 8.0	269
-	1	1	1	1	1	1	1-1633782-1	FENCE	267
-	1	-	1	-	1	-	2119641-1	FEED CAM, AIR FEED	248
-	1	1	1	1	1	1	2119082-5	CAM, SNAIL, INSULATION ADJUSTMENT	244
-	1	1	1	1	1	1	2079764-1	WASHER, WAVE SPRING, CREST-TO-CREST	243
-	1	1	1	1	1	1	2119083-1	RETAINER, INSULATION DIAL	242
-	1	1	1	1	1	1	7-18023-7	SCR, SKT HD CAP M3 X 4.0	241
-	-	1	-	1	-	1	2119580-1	MECHANICAL FEED ASSEMBLY	239
-	1	-	1	-	1	-	2844940-1	AIR FEED MODULE	238
-	-	-	1	1	-	-	4-1722335-3	STRIPPER, SIDE FEED	182
-	-	-	1	1	-	-	1-5018030-0	NUT, HEX, REG, RoHS, M3.5	181
-	-	-	1	1	-	-	1-1752354-9	STANDOFF, HOLD-DOWN	180
-	-	-	1	1	-	-	9931111-1	PIN, SLOTTED SPRING 3.0 X 20.0	177
-	-	-	1	1	-	-	5-22280-0	SPRING, COMPRESSION	176
-	-	-	1	1	-	-	1752353-3	GUIDE PIN, HOLDDOWN	175
-	-	-	1	1	-	-	1901680-2	GUIDE PIN, HOLDDOWN	174
-	REF	REF	REF	REF	REF	REF	994970-2	COUNTER, MAGNETIC	164
-	1	1	1	1	1	1	2119955-1	ASSY, LUBRICATOR, SIDE FEED	113
-	1	1	1	1	1	1	2844908-1	SCREW, LOCKING	99
-	1	1	1	1	1	1	2844907-1	POST, LOCKING	98
-	1	1	1	1	1	1	455888-5	SPACER, CRIMPER	82
-	1	1	1	1	1	1	1803607-3	DOCUMENTATION PACKAGE	71
-	1	1	1	1	1	1	2119740-1	TAG, IDENTIFICATION	67
-	2	2	2	2	2	2	2168078-1	SCREW, DRIVE, RH, RoHS, 2 x .188	66
-	1	1	1	1	1	1	2168083-2	SCR, SKT HD CAP, RoHS, M4 X 8.0	60
-	1	1	1	1	1	1	5-18022-5	SCR, HEX HD CAP, M4 X 6.0	59
-	1	1	1	1	1	1	1338685-1	PAWL, FEED	56
-	4	4	4	4	4	4	2168083-3	SCR, SKT HD CAP, RoHS, M4 X 12.0	54
-	2	2	2	2	2	2	2168083-3	SCR, SKT HD CAP, RoHS, M4 X 12.0	53
-	1	1	1	1	1	1	1803382-6	HOLD DOWN, SPRING LOADED	50
-	1	2	1	2	1	2	18023-9	SCR, SKT HD CAP M4 X 6.0	49
-	-	1	-	1	-	1	2119652-1	FEED CAM, PRE FEED	48
-	-	1	-	1	-	1	2119653-1	FEED CAM, POST FEED	47
-	1	1	-	-	1	1	1803583-9	APPLICATOR BASIC ASSEMBLY, SF	46
-	1	1	-	-	1	1	1803515-1	RAM ASSEMBLY, SF ATLANTIC	44
-	1	1	1	1	1	1	1803602-1	SCR, BHSC, RoHS (M8 X 25)	41
-	1	1	1	1	1	1	1-1752356-3	SUPPORT, TERMINAL	34
-	2	2	2	2	2	2	2079383-5	SCR, BHSC, RoHS (M4 X 20)	33
-	2	2	2	2	2	2	2-2844962-0	SPACER, CYLINDRICAL, STRIP GUIDE	30
-	1	1	1	1	1	1	2844992-2	ASSEMBLY, STRIP GUIDE	29
-	1	1	1	1	1	1	1-455888-0	SPACER, CRIMPER	28
-	1	1	1	1	1	1	1320928-1	STRIP GUIDE	24
-	1	1	-	-	1	1	2168083-2	SCR, SKT HD CAP, RoHS, M4 X 8.0	21
-	2	2	1	1	2	2	1-18028-2	WASHER, FLAT, REG M4	20
-	1	1	-	-	1	1	2119533-1	STRIPPER, SIDE FEED	19
-	1	1	1	1	1	1	2119806-1	INSERT, SHEAR	13
-	1	1	1	1	1	1	3-22280-3	SPRING, COMPRESSION	12
-	1	1	1	1	1	1	1-356885-4	STOP, SHEAR	11
-	1	1	1	1	1	1	2119805-1	SHEAR HOLDER, FRONT	10
-	1	1	1	1	1	1	1803095-5	FLOATING SHEAR, FRONT	9
-	1	2	2	1	1	1	1333202-1	ANVIL, COMBINATION	8
-	1	1	1	1	1	1	6-240641-4	SPACER	7
-	1	1	1	1	1	1	2119757-8	DEPRESSOR, SHEAR	5
-	1	1	1	1	1	1	238011-9	BLOCK, CRIMPER SPACER	4
-	1	2	2	1	1	1	1-2119784-8	CRIMPER, INSULATION O PREMIUM	3
-	1	1	1	1	1	1	455888-9	SPACER, CRIMPER	2
-	1	2	2	1	1	1	1-456403-3	CRIMPER, WIRE PREMIUM	1

ITEM NO	PART NO	DESCRIPTION	ITEM NO
-77	-72	-71	-52
-51	-2	-1	

DATE	14SEP2011	CHK	G.BAILEY
DATE	14SEP2011	CHK	G.BAILEY
DATE	14SEP2011	CHK	G.BAILEY

TE Connectivity	Harrisburg, PA 17105-3608
NAME	Ocean Side Feed Applicator
SIZE	A1
CAGE CODE	00779
DRAWING NO	2151050
RESTRICTED TO	Customer Accessible Production Drawing
SCALE	1:2
SHEET	1 OF 4
REV	M1

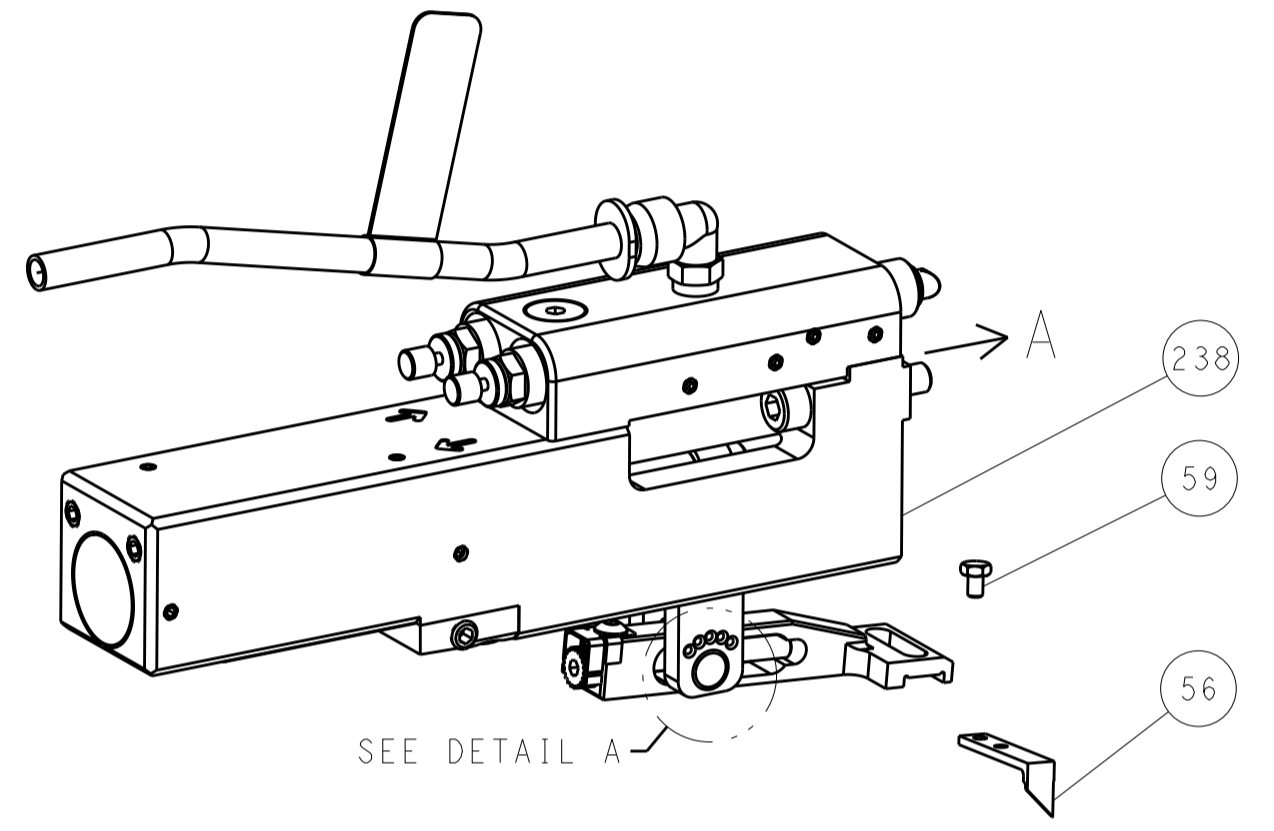
ATLANTIC VERSION
 Shown on sheets 1 of 4 & 2 of 4
 (Pacific version shown on sheets 3 of 4 & 4 of 4)

LOC	DIST	REVISIONS					
		P	LTN	DESCRIPTION	DATE	DMN	APVD
A	66	-	-	SEE SHEET 1	-	-	-

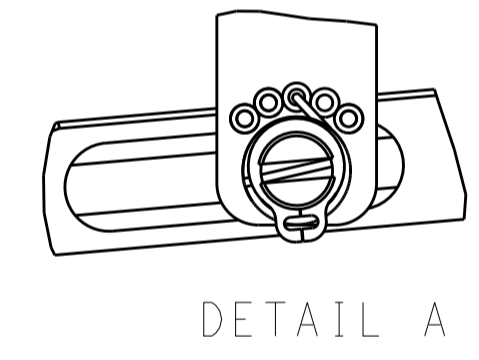
FEED TYPE MECHANICAL



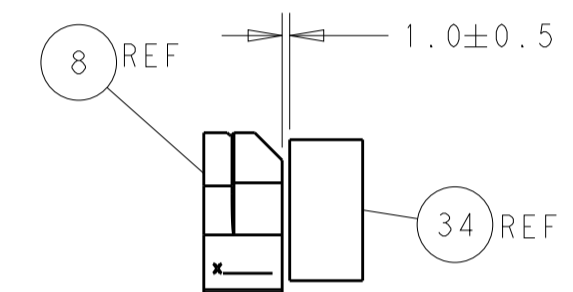
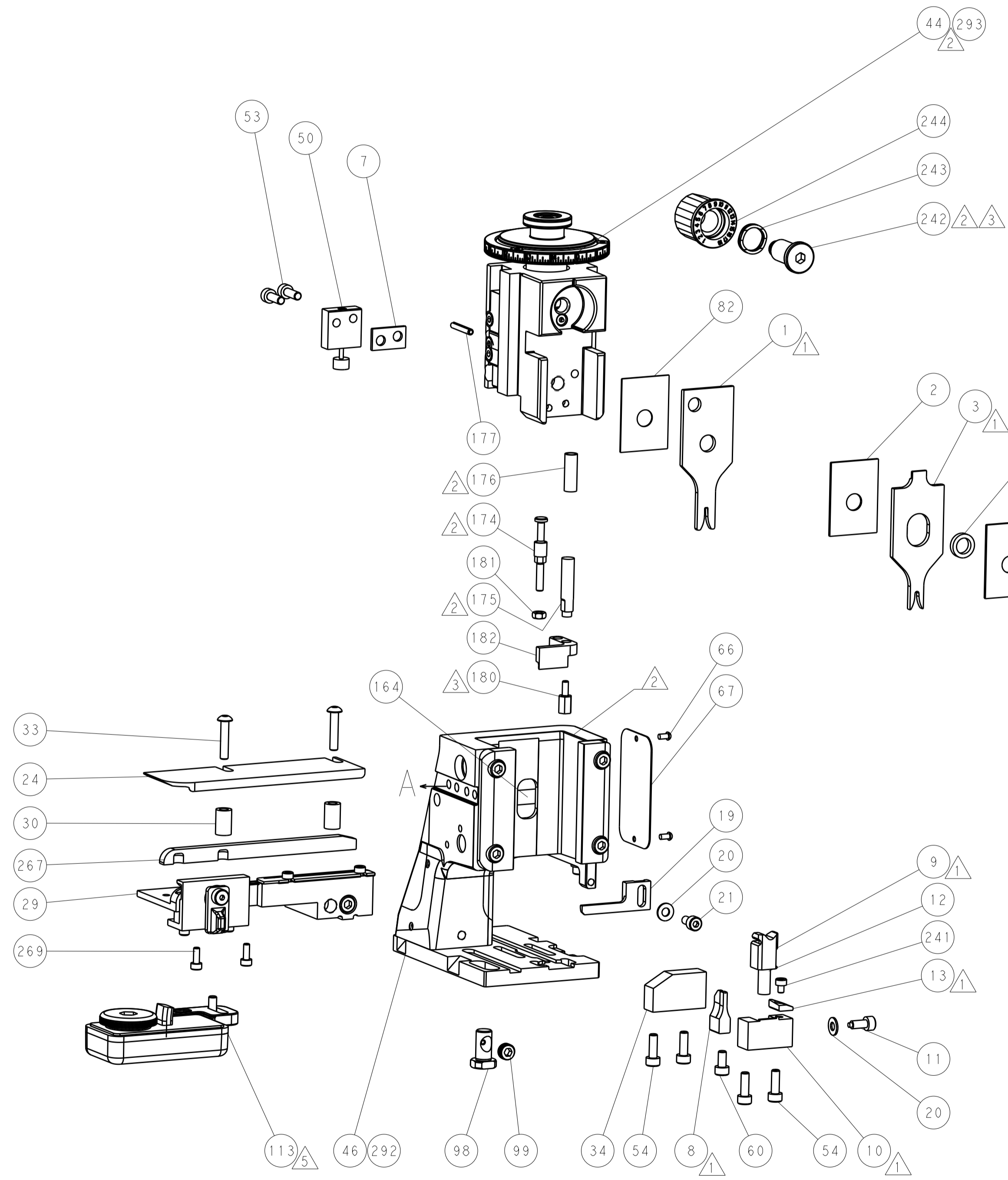
PNEUMATIC



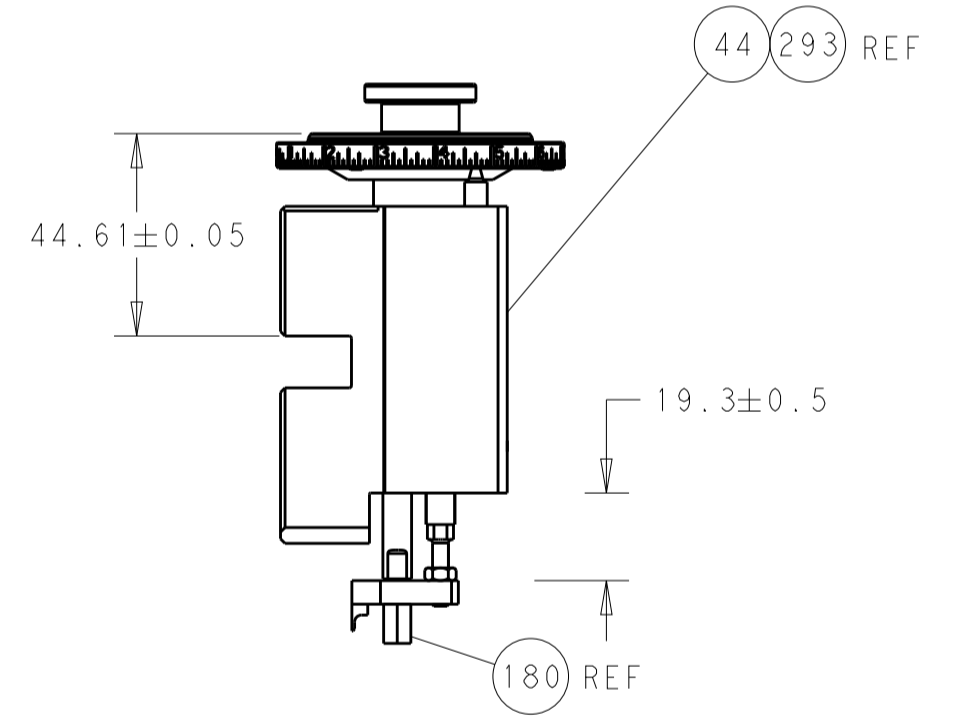
FEED SPRING SETTING POSITION (SHOWN FROM REAR SIDE)



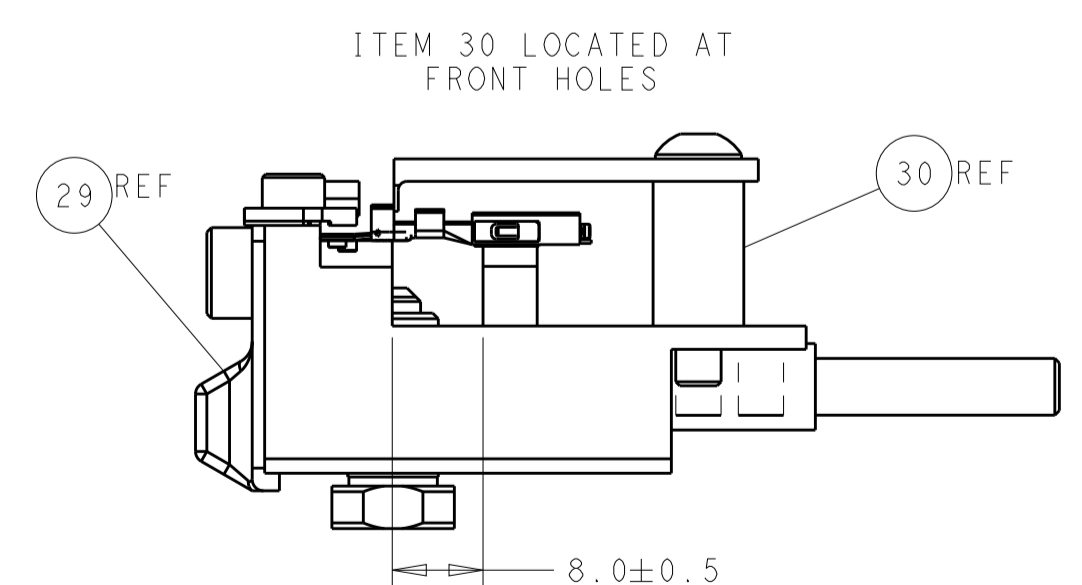
CAM POSITIONS



TERMINAL SUPPORT LOCATION



RAM AND HOLDDOWN SET-UP



FEED TRACK POSITION GUIDE BY INSULATION BARREL

ATLANTIC VERSION
 Shown on sheets 1 of 4 & 2 of 4
 (Pacific version shown on sheets 3 of 4 & 4 of 4)

DIMENSIONS:		TOLERANCES UNLESS OTHERWISE SPECIFIED:		DWG: Y. YIN 14SEP2011		TE Connectivity	
mm	0 PLC ±	1 PLC ±	2 PLC ±	3 PLC ±	4 PLC ±	5 PLC ±	Harrisburg, PA 17105-3608
MATERIAL:		FINISH:		CHK: G. BAILEY 14SEP2011		NAME: Ocean Side Feed Applicator	
Customer Accessible Production Drawing		SCALE: 1:2		SHEET: 2 of 4		REV: M1	

PART NUMBER	REVISION	DESCRIPTION	FEED TYPE
2-2151050-1	L	FINE CRIMP HEIGHT ADJUST	MECHANICAL
2-2151050-2	M	FINE CRIMP HEIGHT ADJUST	PNEUMATIC
7-2151050-7	A	CRIMP TOOLING KIT	-

PACIFIC VERSION TERMINATOR
INTERFACE ADAPTER



APPLICATOR DATA		
CRIMP	SIZE	TYPE
WIRE	1.57 mm [.062]	F
INSUL	2.29 mm [.090]	O

APPLICATOR INSTRUCTIONS
408-35042

TERMINAL DATA: TE TERMINAL		TE CRIMP SPECIFICATION	
TERMINAL NAME: MICRO TIMER 2 CONTACT			
WIRE STRIP LENGTH		INSULATION DIAMETER RANGE	
3.50-4.20 mm [1.38-.165 IN]		Ø1.15-1.60 mm [.045-.063 IN]	
TERMINAL APPLICATION SPECIFICATION	114-18081	-	-
TERMINALS APPLIED			
TE TERMINAL	TE TERMINAL	TE TERMINAL	TE TERMINAL
964261-2	964261-3	4-964261-1	1241858-2
4-1241858-1			

TERMINAL DATA: TE TERMINAL		TE CRIMP SPECIFICATION	
TERMINAL NAME: TAB 1.6 X 0.6 TYPE A			
WIRE STRIP LENGTH		INSULATION DIAMETER RANGE	
3.20-3.80 mm [1.26-.150 IN]		Ø1.15-1.60 mm [.045-.063 IN]	
TERMINAL APPLICATION SPECIFICATION	114-18082	-	-
TERMINALS APPLIED			
TE TERMINAL	TE TERMINAL	TE TERMINAL	TE TERMINAL
964265-2	964265-3		

TERMINAL DATA: TE TERMINAL		TE CRIMP SPECIFICATION	
TERMINAL NAME: TAB 1.6 X 0.6 TYPE A			
WIRE STRIP LENGTH		INSULATION DIAMETER RANGE	
3.20-3.80 mm [1.26-.150 IN]		Ø1.2-1.4 mm [.047-.055 IN]	
TERMINAL APPLICATION SPECIFICATION	(A)114-18082	-	-
	(B)114-18081	-	-
TERMINALS APPLIED			
TE TERMINAL	TE TERMINAL	TE TERMINAL	TE TERMINAL
(A) 2141882-2	(A) 2141882-3	(B) 2141900-2	(B) 2141900-3

WIRE SIZE	CRIMP HEIGHT mm [INCH]	CRIMP HEIGHT REFERENCE SETTING
0.50mm2	1.12+/-0.05 [.044+/- .002]	5.0
0.35mm2	1.05+/-0.03 [.041+/- .001]	5.8
0.25mm2	1.00+/-0.03 [.039+/- .001]	6.3
0.20mm2	0.98+/-0.03 [.039+/- .001]	6.5

WIRE SIZE	CRIMP HEIGHT mm [INCH]	CRIMP HEIGHT REFERENCE SETTING
0.35mm2	1.05+/-0.03 [.041+/- .001]	8.6
0.25mm2	1.00+/-0.03 [.039+/- .001]	9.0
0.20mm2	0.98+/-0.03 [.039+/- .001]	9.1

WIRE SIZE	CRIMP HEIGHT mm [INCH]	CRIMP HEIGHT REFERENCE SETTING
0.35mm2	1.08+/-0.03 [.043+/- .001]	6.7
0.22mm2	1.02+/-0.05 [.040+/- .002]	7.5

- RECOMMENDED SPARE PARTS
- REFER TO SUPPLIED INSTRUCTION SHEET FOR CLEANING, LUBRICATION AND STORAGE OF APPLICATOR.
- APPLY PART NUMBER 2-23419-6 LOCTITE TO THREADS OF ITEM 242.
- CRIMP HEIGHT REFERENCE SETTING WAS THE SETTING USED WHEN THE APPLICATOR WAS QUALIFIED AT THE FACTORY. ADJUSTMENT MAY BE NECESSARY WHEN RUNNING APPLICATOR IN THE FIELD.
- TERMINAL LUBRICANT IS RECOMMENDED.
- 6. UNLESS SPECIFIED OTHERWISE TORQUE VALUES SHALL BE USED PER DOCUMENT, 101-35000.
- 0.22mm2 WIRE SIZE TO BE USED ONLY WITH TERMINAL PN 2141882.

***WARNING**
ON INSTALLATION, SET WIRE DISC TO CRIMP HEIGHT REFERENCE SETTING FOR LARGEST WIRE SIZE. CRIMP HEIGHT REFERENCE SETTINGS GREATER THAN THE VALUE SHOWN MAY CAUSE DAMAGE TO THE CRIMP TOOLING. REFER TO THE INSTRUCTION SHEET FOR PROPER SETUP AND ADJUSTMENTS.

ENTRY LEVEL APPLICATOR		ITEM SUBSTITUTION LIST		
PART NUMBER	SAME AS	ITEM	ITEM DESCRIPTION	SUBSTITUTE PART NUMBER
8-2151050-1	2151050-1	1	WIRE CRIMPER	1-1803547-3
8-2151050-2	2151050-2	3	INSULATION CRIMPER	1-1803604-8
9-2151050-1	2-2151050-1	46	BASIC SUB -ASSEMBLY	1803940-9
9-2151050-2	2-2151050-2	141	BASIC SUB -ASSEMBLY	1-1803940-0
			LUBRICATOR	DELETE

PACIFIC VERSION
Shown on sheets 3 of 4 & 4 of 4
(Atlantic version shown on sheets 1 of 4 & 2 of 4)

LOC	DIST	REV	DATE	BY	CHKD	APVD
A	66	-				

REV	DATE	BY	CHKD	APVD	DESCRIPTION	DATE	BY	CHKD	APVD		
-	2	2			2168083-1					SCR, SKT HD CAP, RoHS, M3 X 8.0	269
-	1	1			1-1633782-1					FENCE	267
-	1	1			2119082-5					CAM, SNAIL, INSULATION ADJUSTMENT	244
-	1	1			2079764-1					WASHER, WAVE SPRING, CREST-TO-CREST	243
-	1	1			2119083-1					RETAINER, INSULATION DIAL	242
-	1	1			7-18023-7					SCR, SKT HD CAP M3 X 4.0	241
-	-	1			2119580-1					MECHANICAL FEED ASSEMBLY	239
-	1	-			2844940-1					AIR FEED MODULE	238
-	REF	REF			994970-2					COUNTER, MAGNETIC	164
-	1	-			2119641-2					FEED CAM, AIR FEED	151
-	1	1			2168083-8					SCR, SKT HD CAP, RoHS, M4 X 16	144
-	4	4			2168083-9					SCR, SKT HD CAP, RoHS, M4 X 20	143
-	-	1			2119653-2					FEED CAM, POST FEED	142
-	1	1			1-1803583-0					APPLICATOR BASIC ASSEMBLY, SF	141
-	1	1			1803516-1					RAM ASSEMBLY, SF PACIFIC	140
-	1	1			2119955-1					ASSY, LUBRICATOR, SIDE FEED	113
-	1	1			2844908-1					SCREW, LOCKING	99
-	1	1			2844907-1					POST, LOCKING	98
-	1	1			455888-5					SPACER, CRIMPER	82
-	1	1			1803607-3					DOCUMENTATION PACKAGE	71
-	1	1			2119740-1					TAG, IDENTIFICATION	67
-	2	2			2168078-1					SCREW, DRIVE, RH, RoHS, 2 x .188	66
-	1	1			5-18022-5					SCR, HEX HD CAP, M4 X 6.0	59
-	1	1			1338685-1					PAWL, FEED	56
-	2	2			2168083-3					SCR, SKT HD CAP, RoHS, M4 X 12.0	53
-	1	1			1803382-6					HOLD DOWN, SPRING LOADED	50
-	1	2			18023-9					SCR, SKT HD CAP M4 X 6.0	49
-	-	1			2119652-1					FEED CAM, PRE FEED	48
-	1	1			1803602-1					SCR, BHSC, RoHS (M8 X 25)	41
-	1	1			1-1752356-3					SUPPORT, TERMINAL	34
-	2	2			2079383-5					SCR, BHSC, RoHS (M4 X 20)	33
-	2	2			2-2844962-0					SPACER, CYLINDRICAL, STRIP GUIDE	30
-	1	1			2844992-2					ASSEMBLY, STRIP GUIDE	29
-	1	1			1-455888-0					SPACER, CRIMPER	28
-	1	1			1320928-1					STRIP GUIDE	24
-	1	1			2168083-2					SCR, SKT HD CAP, RoHS, M4 X 8.0	21
-	2	2			1-18028-2					WASHER, FLAT, REG M4	20
-	1	1			2119533-1					STRIPPER, SIDE FEED	19
-	1	1			2119806-1					INSERT, SHEAR	13
-	1	1			3-22280-3					SPRING, COMPRESSION	12
-	1	1			1-356885-4					STOP, SHEAR	11
-	1	1			2119805-1					SHEAR HOLDER, FRONT	10
-	1	1			1803095-5					FLOATING SHEAR, FRONT	9
-	1	1			1333202-1					ANVIL, COMBINATION	8
-	1	1			6-240641-4					SPACER	7
-	1	1			2119757-8					DEPRESSOR, SHEAR	5
-	1	1			238011-9					BLOCK, CRIMPER SPACER	4
-	1	1			1-2119784-8					CRIMPER, INSULATION O PREMIUM	3
-	1	1			455888-9					SPACER, CRIMPER	2
-	1	1			1-456403-3					CRIMPER, WIRE PREMIUM	1

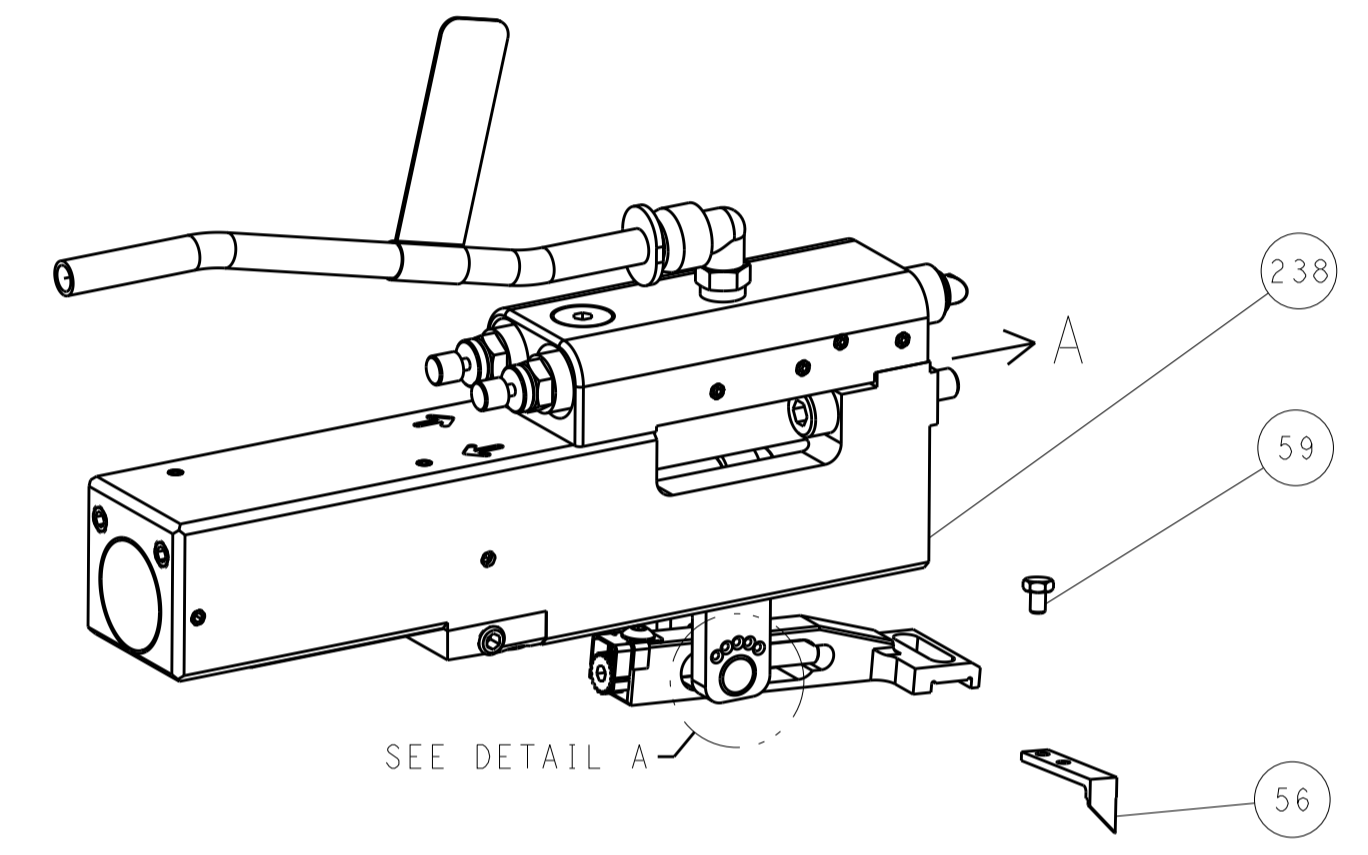
DIMENSIONS: 		TOLERANCES UNLESS OTHERWISE SPECIFIED: 0 PLC ±. 1 PLC ±. 2 PLC ±. 3 PLC ±. 4 PLC ±. ANGLES ±. FINISH		DWN Y. YIN G. BAILEY S. XI 14SEP2011 14SEP2011 14SEP2011	TE Connectivity Harrisburg, PA 17105-3608
MATERIAL:		FINISH:		NAME Ocean Side Feed Applicator	SIZE A1
WEIGHT:		CUSTOMER ACCESSIBLE PRODUCTION DRAWING		SCALE: 1:2	SHEET 3 OF 4

LOC		DIST		REVISONS			
A	66	P	LTM	DESCRIPTION	DATE	OWN	APVD
		-		SEE SHEET 1			

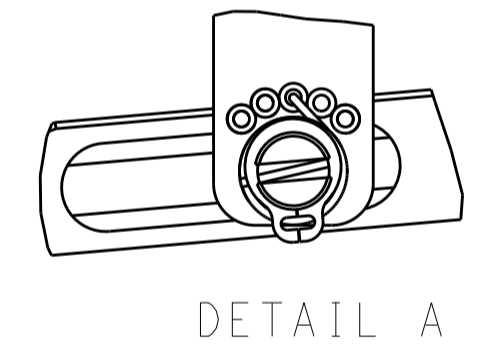
FEED TYPE MECHANICAL



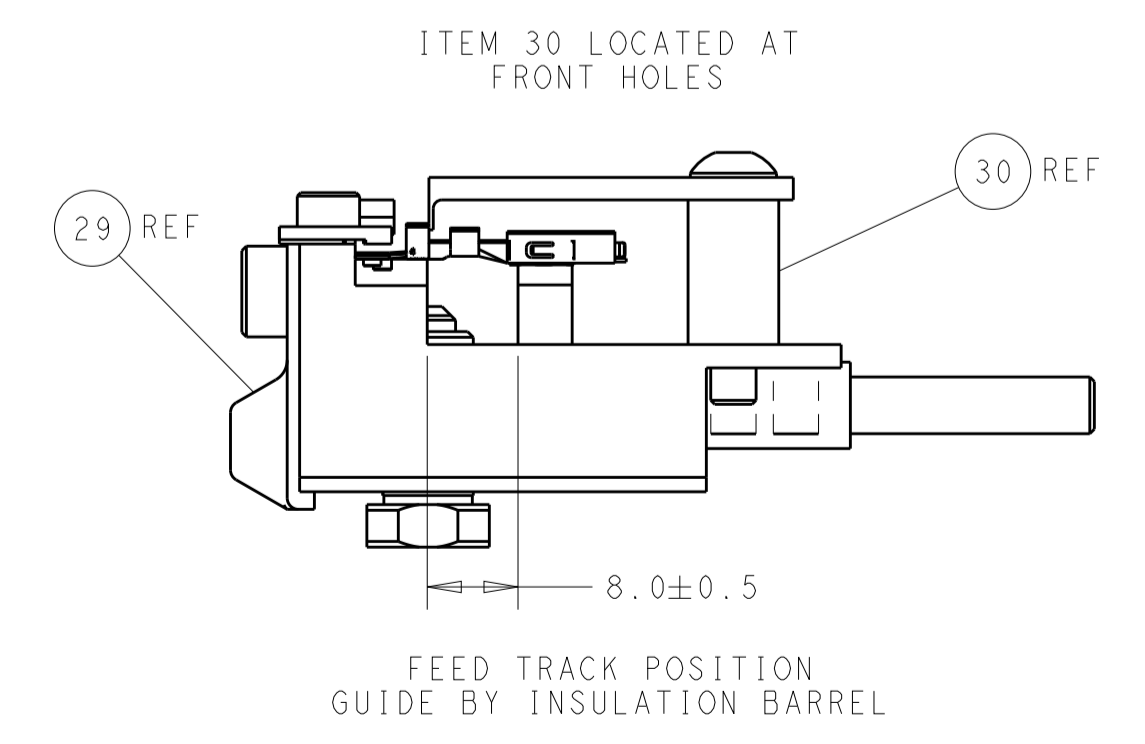
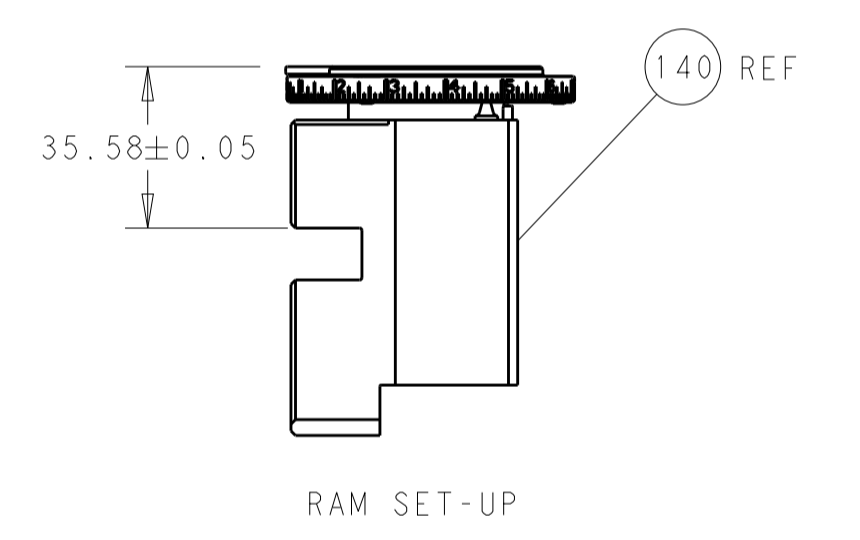
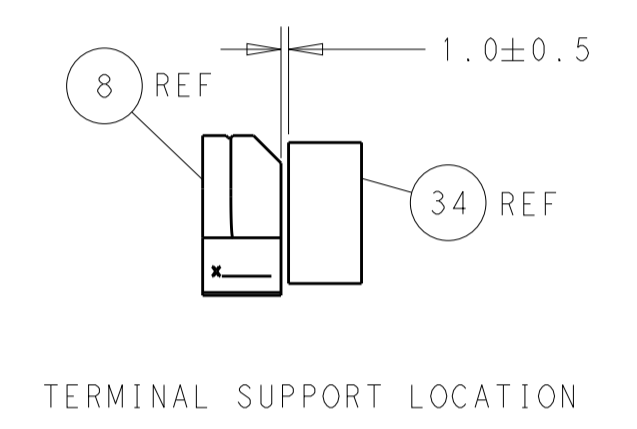
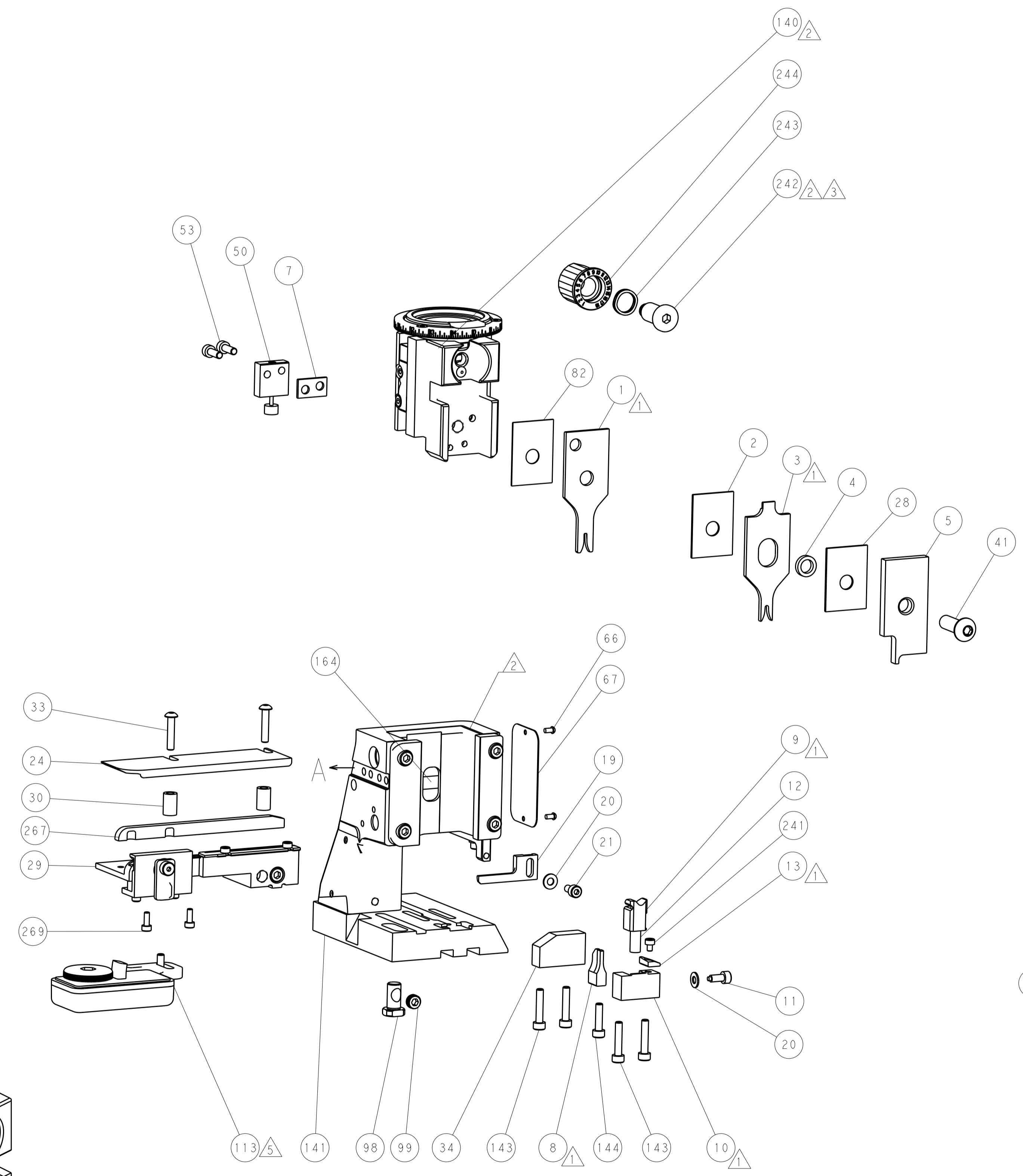
PNEUMATIC



FEED SPRING SETTING POSITION (SHOWN FROM REAR SIDE)



CAM POSITIONS



PACIFIC VERSION
 Shown on sheets 3 of 4 & 4 of 4
 (Atlantic version shown on sheets 1 of 4 & 2 of 4)

DIMENSIONS:		TOLERANCES UNLESS OTHERWISE SPECIFIED:		DWN Y. YIN 14SEP2011		STE TE Connectivity	
mm	0 PLC ±	1 PLC ±	2 PLC ±	3 PLC ±	4 PLC ±	Harrisburg, PA 17105-3608	
MATERIAL:		FINISH:		APVD S. XI 14SEP2011		NAME	
				PRODUCT SPEC		Ocean Side Feed Applicator	
				APPLICATION SPEC		SIZE CAGE CODE DRAWING NO	
				WEIGHT		A1 00779 C=2151050	
				Customer Accessible Production Drawing		RESTRICTED TO	
				SCALE 1:2		SHEET 4 OF 4 REV M1	

X-ON Electronics

Largest Supplier of Electrical and Electronic Components

Click to view similar products for [Crimpers / Crimping Tools](#) category:

Click to view products by [TE Connectivity](#) manufacturer:

Other Similar products are found below :

[010-0096](#) [M225201-06](#) [M225202-37](#) [6-1579015-5](#) [CT150-6-RH07](#) [622-6441LF](#) [M322](#) [6-304052-1](#) [63456-0054](#) [63484-3701](#) [63800-8355](#)
[63819-1875](#) [63819-2875](#) [63819-4475](#) [63823-3475](#) [63827-5375](#) [64001-0975](#) [64001-4175](#) [64005-0175](#) [662903-2](#) [690602-6](#) [7-1579001-9](#) [7-](#)
[23471-1](#) [762637-1](#) [808714-1](#) [811242-5](#) [999-50-020083](#) [1-21002-3](#) [1-21002-7](#) [12085270](#) [1-21002-6](#) [1-21113-6](#) [1-22548-4](#) [125442-1](#)
[DCE.91.073.BVC](#) [DCE.91.090.3MVM](#) [DCE.91.130.5MVU](#) [DCE.91.202.BVCM](#) [1338300-1](#) [1-354003-0](#) [1338301-1](#) [DF62/RE-MD](#) [142321](#)
[1456088-1](#) [1490794-1](#) [1-45804-6](#) [1490357-2](#) [1490357-3](#) [AX100749](#) [1-59619-7](#)