

| PART NUMBER | REVISION | DESCRIPTION                      | FEED TYPE  |
|-------------|----------|----------------------------------|------------|
| 2151058-1   | J        | FINE CRIMP HEIGHT ADJUST         | MECHANICAL |
| 2151058-2   | K        | FINE CRIMP HEIGHT ADJUST         | PNEUMATIC  |
| 7-2151058-1 | J        | MECHANICAL AND CRIMP TOOLING KIT | MECHANICAL |
| 7-2151058-2 | K        | PNEUMATIC AND CRIMP TOOLING KIT  | PNEUMATIC  |
| 7-2151058-7 | H        | CRIMP TOOLING KIT                | -          |

ATLANTIC VERSION TERMINATOR INTERFACE ADAPTER



| APPLICATOR DATA |                |      |
|-----------------|----------------|------|
| CRIMP           | SIZE           | TYPE |
| WIRE            | 2.03 mm [.080] | F    |
| INSUL           | 2.54 mm [.100] | O    |

APPLICATOR INSTRUCTIONS 408-35042

| TERMINAL DATA: TE TERMINAL           |               | TE CRIMP SPECIFICATION       |               |
|--------------------------------------|---------------|------------------------------|---------------|
| TERMINAL NAME: MICRO TIMER 2 CONTACT |               |                              |               |
| WIRE STRIP LENGTH                    |               | INSULATION DIAMETER RANGE    |               |
| 3.80-4.40 mm [.150-.173 IN]          |               | Ø1.40-2.10 mm [.055-.083 IN] |               |
| TERMINAL APPLICATION SPECIFICATION   | (A) 114-18081 |                              |               |
|                                      | (B) 114-18082 |                              |               |
| TERMINALS APPLIED                    |               |                              |               |
| TE TERMINAL                          | TE TERMINAL   | TE TERMINAL                  | TE TERMINAL   |
| (A) 964263-2                         | (A) 964263-3  | (B) 964267-2                 | (B) 964267-1  |
| (B) 964267-3                         | (B) 964267-4  | (A) 1241860-2                | (A) 1241860-7 |

| WIRE SIZE | CRIMP HEIGHT mm [INCH]         | CRIMP HEIGHT REFERENCE SETTING |
|-----------|--------------------------------|--------------------------------|
| 1.00mm2   | 1.20 +/- 0.05 [1.047 +/- .002] | 7.3                            |
| 0.75mm2   | 1.18 +/- 0.05 [1.046 +/- .002] | 7.5                            |
| 0.50mm2   | 1.15 +/- 0.05 [1.045 +/- .002] | 7.7                            |

- 1. RECOMMENDED SPARE PARTS
- 2. REFER TO SUPPLIED INSTRUCTION SHEET FOR CLEANING, LUBRICATION & STORAGE OF APPLICATOR.
- 3. APPLY PART NUMBER 2-23419-6 LOCTITE TO THREADS OF ITEM 242.
- 4. CRIMP HEIGHT REFERENCE SETTING WAS THE SETTING USED WHEN THE APPLICATOR WAS QUALIFIED AT THE FACTORY. ADJUSTMENT MAY BE NECESSARY WHEN RUNNING APPLICATOR IN THE FIELD.
- 5. TERMINAL LUBRICATOR IS RECOMMENDED WHEN RUNNING GOLD AND SILVER PLATED TERMINALS.
- 6. UNLESS SPECIFIED OTHERWISE TORQUE VALUES SHALL BE USED PER DOCUMENT, 101-35000.

**\*WARNING**  
ON INSTALLATION, SET WIRE DISC TO CRIMP HEIGHT REFERENCE SETTING FOR LARGEST WIRE SIZE. CRIMP HEIGHT REFERENCE SETTINGS GREATER THAN THE VALUE SHOWN MAY CAUSE DAMAGE TO THE CRIMP TOOLING, REFER TO THE INSTRUCTION SHEET FOR PROPER SETUP AND ADJUSTMENTS.

| REVISIONS |     |               |           |     |      |
|-----------|-----|---------------|-----------|-----|------|
| P         | LTN | DESCRIPTION   | DATE      | OWN | APVD |
| J         |     | ECR-18-004877 | 05APR2018 | RK  | JD   |
| K         |     | ECR-19-005701 | 09APR2019 | FJ  | TE   |
| K1        |     | ECR-21-000570 | 18JAN2021 | FJ  | YY   |

|     |     |     |     |     |             |                                     |         |
|-----|-----|-----|-----|-----|-------------|-------------------------------------|---------|
| -   | 1   | -   | 1   | -   | 2119641-1   | FEED CAM, AIR FEED                  | 248     |
| -   | 1   | 1   | 1   | 1   | 2119082-8   | CAM, SNAIL, INSULATION ADJUSTMENT   | 244     |
| -   | 1   | 1   | 1   | 1   | 2079764-1   | WASHER, WAVE SPRING, CREST-TO-CREST | 243     |
| -   | 1   | 1   | 1   | 1   | 2119083-1   | RETAINER, INSULATION DIAL           | 242     |
| -   | 1   | 1   | 1   | 1   | 7-18023-7   | SCR, SKT HD CAP M3 X 4.0            | 241     |
| -   | -   | 1   | -   | 1   | 2119580-1   | MECHANICAL FEED ASSEMBLY            | 239     |
| -   | 1   | -   | 1   | -   | 2844940-1   | AIR FEED MODULE                     | 238     |
| -   | REF | REF | REF | REF | 994970-2    | COUNTER, MAGNETIC                   | 164     |
| -   | 1   | 1   | 1   | 1   | 2119955-1   | ASSY, LUBRICATOR, SIDE FEED         | 113     |
| -   | 1   | 1   | 1   | 1   | 2844908-1   | SCREW, LOCKING                      | 99      |
| -   | 1   | 1   | 1   | 1   | 2844907-1   | POST, LOCKING                       | 98      |
| -   | 1   | 1   | 1   | 1   | 455888-5    | SPACER, CRIMPER                     | 82      |
| -   | 1   | 1   | 1   | 1   | 1803607-3   | DOCUMENTATION PACKAGE               | 71      |
| -   | 1   | 1   | 1   | 1   | 2119740-1   | TAG, IDENTIFICATION                 | 67      |
| -   | 2   | 2   | 2   | 2   | 2168078-1   | SCREW, DRIVE, RH, RoHS, 2 x .188    | 66      |
| -   | 1   | 1   | 1   | 1   | 2168083-2   | SCR, SKT HD CAP, RoHS, M4 X 8.0     | 60      |
| -   | 1   | 1   | 1   | 1   | 5-18022-5   | SCR, HEX HD CAP, M4 X 6.0           | 59      |
| -   | 1   | 1   | 1   | 1   | 1338685-1   | PAWL, FEED                          | 56      |
| -   | 4   | 4   | 4   | 4   | 2168083-3   | SCR, SKT HD CAP, RoHS, M4 X 12.0    | 54      |
| -   | 2   | 2   | 2   | 2   | 1-2168083-0 | SCR, SKT HD CAP, RoHS, M4 X 10      | 53      |
| -   | 1   | 1   | 1   | 1   | 5018030-1   | NUT, HEX, REG, RoHS, M3             | 52      |
| -   | 1   | 1   | 1   | 1   | 811242-5    | BUMPER, HOLD DOWN                   | 51      |
| -   | 1   | 1   | 1   | 1   | 690753-2    | SPACER, TONKER                      | 50      |
| -   | 1   | 2   | 1   | 2   | 18023-9     | SCR, SKT HD CAP M4 X 6.0            | 49      |
| -   | -   | 1   | -   | 1   | 2119652-1   | FEED CAM, PRE FEED                  | 48      |
| -   | -   | 1   | -   | 1   | 2119653-1   | FEED CAM, POST FEED                 | 47      |
| -   | 1   | 1   | 1   | 1   | 1803583-9   | APPLICATOR BASIC ASSEMBLY, SF       | 46      |
| -   | 1   | 1   | 1   | 1   | 1803515-1   | RAM ASSEMBLY, SF ATLANTIC           | 44      |
| -   | 1   | 1   | 1   | 1   | 1803602-1   | SCR, BHSC, RoHS (M8 X 25)           | 41      |
| -   | 1   | 1   | 1   | 1   | 1-1752356-8 | SUPPORT, TERMINAL                   | 34      |
| -   | 2   | 2   | 2   | 2   | 2079383-5   | SCR, BHSC, RoHS (M4 X 20)           | 33      |
| -   | 2   | 2   | 2   | 2   | 2-2844962-6 | SPACER, CYLINDRICAL, STRIP GUIDE    | 30      |
| -   | 1   | 1   | 1   | 1   | 2844992-2   | ASSEMBLY, STRIP GUIDE               | 29      |
| -   | 1   | 1   | 1   | 1   | 1-455888-0  | SPACER, CRIMPER                     | 28      |
| -   | 1   | 1   | 1   | 1   | 1320928-2   | STRIP GUIDE                         | 24      |
| -   | 1   | 1   | 1   | 1   | 2168083-2   | SCR, SKT HD CAP, RoHS, M4 X 8.0     | 21      |
| -   | 2   | 2   | 2   | 2   | 1-18028-2   | WASHER, FLAT, REG M4                | 20      |
| -   | 1   | 1   | 1   | 1   | 2119533-1   | STRIPPER, SIDE FEED                 | 19      |
| -   | 1   | 1   | 1   | 1   | 2119806-1   | INSERT, SHEAR                       | 13      |
| -   | 1   | 1   | 1   | 1   | 3-22280-3   | SPRING, COMPRESSION                 | 12      |
| -   | 1   | 1   | 1   | 1   | 1-356885-4  | STOP, SHEAR                         | 11      |
| -   | 1   | 1   | 1   | 1   | 2119805-1   | SHEAR HOLDER, FRONT                 | 10      |
| -   | 1   | 1   | 1   | 1   | 454276-5    | FLOATING SHEAR, FRONT               | 9       |
| -   | 1   | 2   | 2   | 1   | 1333204-3   | ANVIL, COMBINATION                  | 8       |
| -   | 1   | 1   | 1   | 1   | 2119757-4   | DEPRESSOR, SHEAR                    | 5       |
| -   | 1   | 1   | 1   | 1   | 238011-2    | BLOCK, CRIMPER SPACER               | 4       |
| -   | 1   | 2   | 2   | 1   | 1633965-3   | CRIMPER, INSULATION O PREMIUM       | 3       |
| -   | 1   | 1   | 1   | 1   | 455888-2    | SPACER, CRIMPER                     | 2       |
| -   | 1   | 2   | 2   | 1   | 1803125-2   | CRIMPER, WIRE                       | 1       |
| -77 | -72 | -71 | -2  | -1  | PART NO     | DESCRIPTION                         | ITEM NO |

ATLANTIC VERSION  
Shown on sheets 1 of 4 & 2 of 4  
(Pacific version shown on sheets 3 of 4 & 4 of 4)

THIS DRAWING IS A CONTROLLED DOCUMENT. OWN: T.YIN 15SEP2011, CHG: G.BAILLEY 15SEP2011, APVD: S.XI 15SEP2011

**STE** TE Connectivity

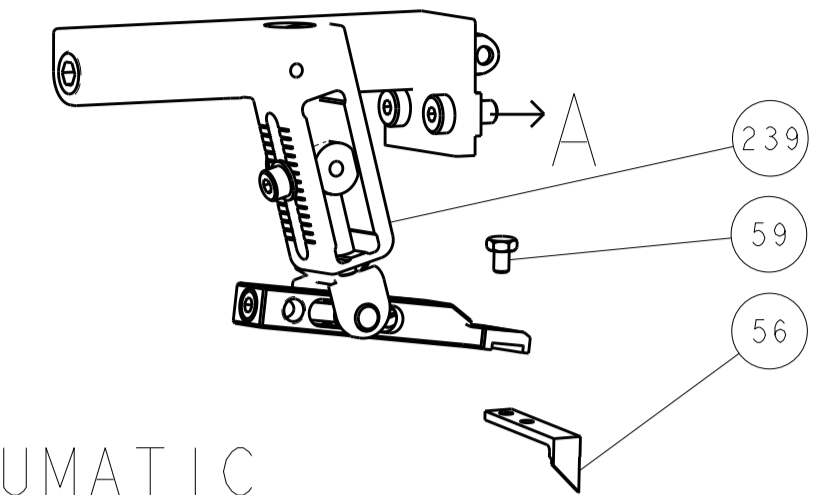
NAME: Ocean Side Feed Applicator

SIZE: CAGE CODE DRAWING NO: A100779, DRAWING NO: C=2151058

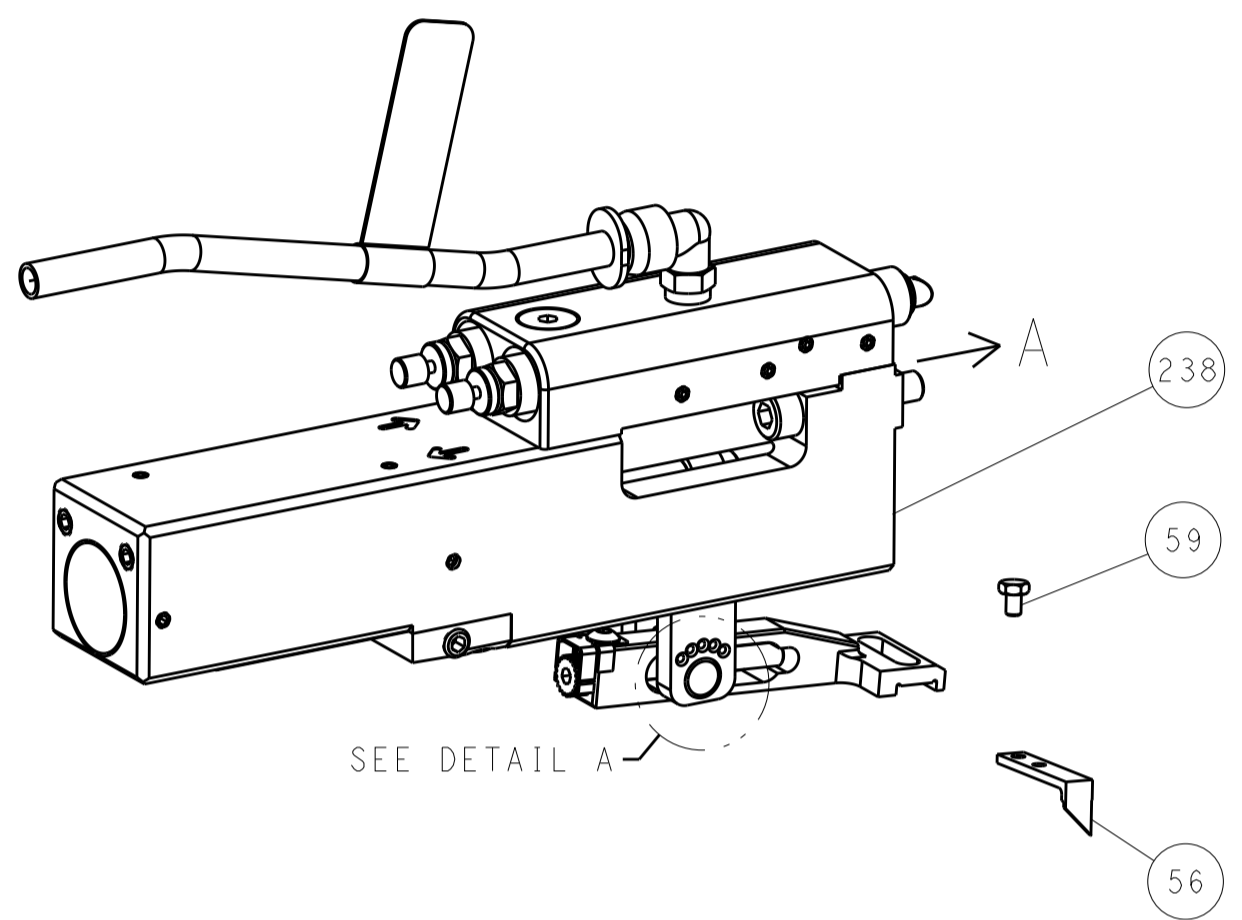
Customer Accessible Production Drawing SCALE: 1:2 SHEET 1 OF 4 REV: K1

| REVISIONS |             |             |      |      |
|-----------|-------------|-------------|------|------|
| P.        | LTN         | DESCRIPTION | DATE | APVD |
| -         | SEE SHEET 1 |             |      |      |
|           |             |             |      |      |
|           |             |             |      |      |

# FEED TYPE MECHANICAL



## PNEUMATIC

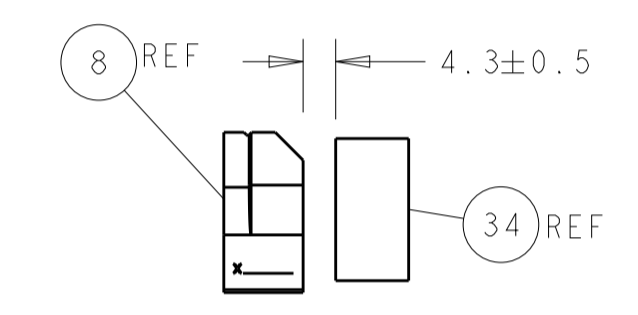
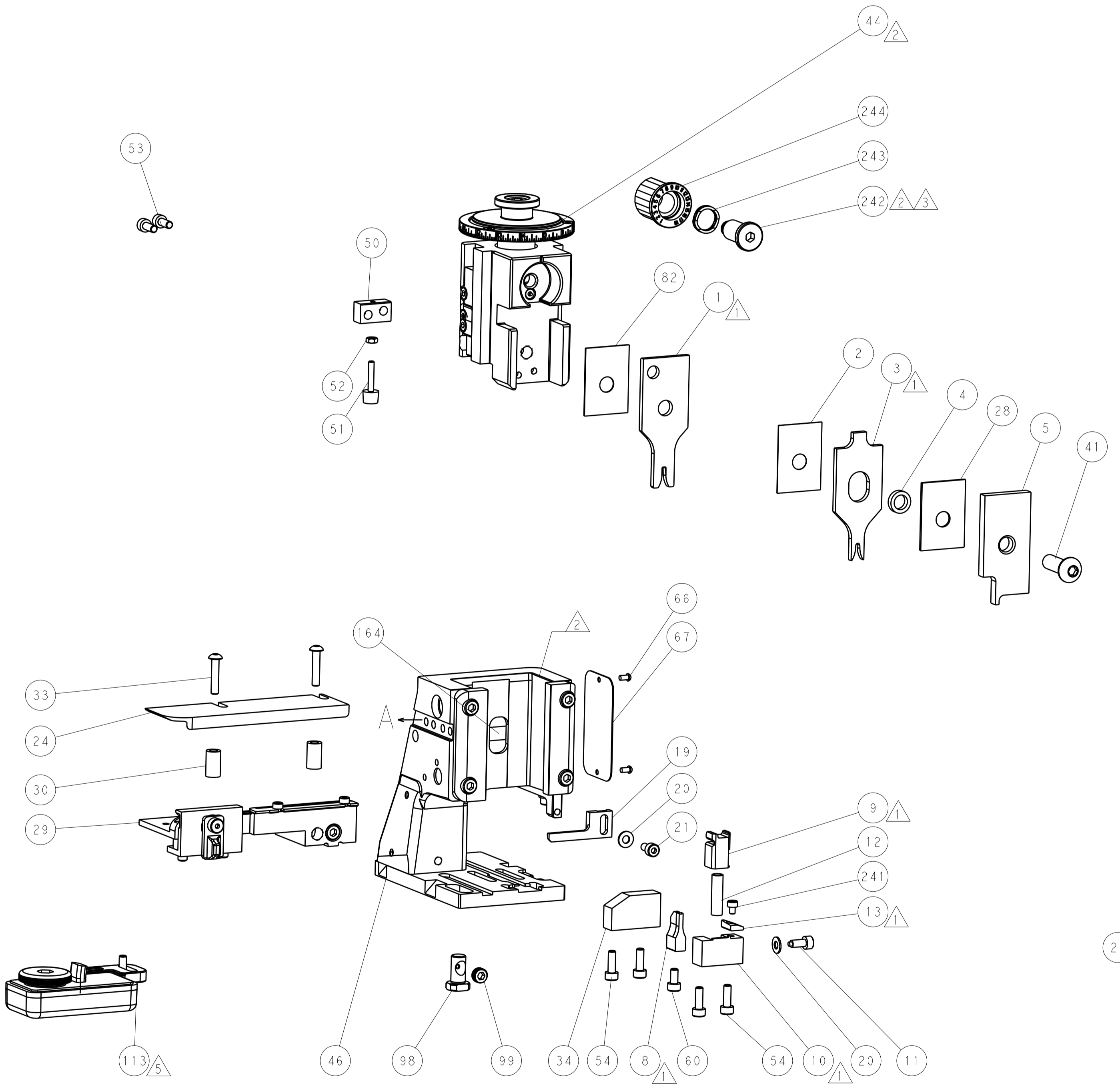


### FEED SPRING SETTING POSITION (SHOWN FROM REAR SIDE)

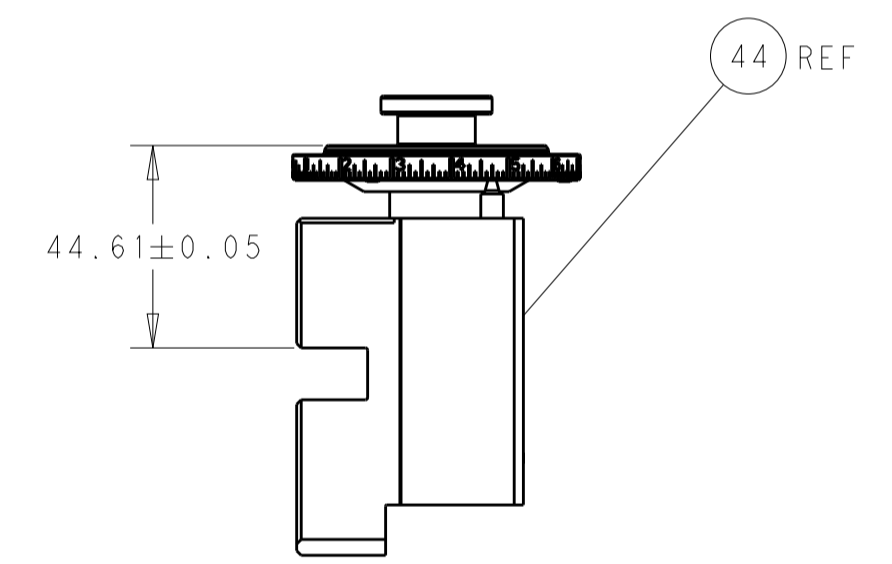


DETAIL A

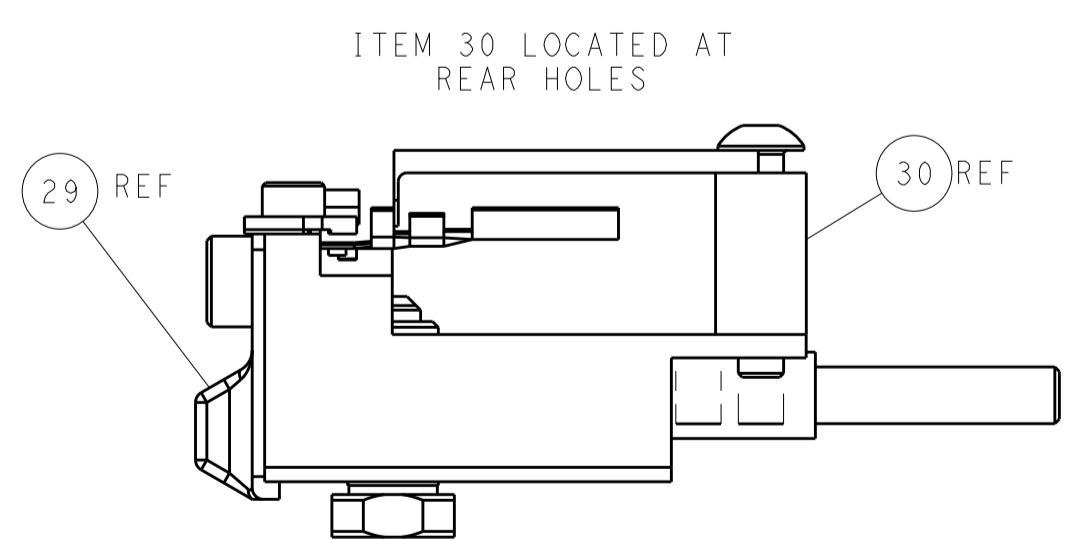
# CAM POSITIONS



TERMINAL SUPPORT LOCATION



RAM SET-UP



FEED TRACK POSITION GUIDE BY INSULATION BARREL

**ATLANTIC VERSION**  
 Shown on sheets 1 of 4 & 2 of 4  
 (Pacific version shown on sheets 3 of 4 & 4 of 4)

|  |   |                          |  |
|--|---|--------------------------|--|
| THIS DRAWING IS A CONTROLLED DOCUMENT. |   | OWN: Y. YIN 15SEP2011    | TE Connectivity                        |
| DIMENSIONS: mm                         |   | CHK: G. BAILEY 15SEP2011 |  |
| TOLERANCES UNLESS OTHERWISE SPECIFIED: |   | APVD: S. XI 15SEP2011    | NAME: Ocean Side Feed Applicator       |
| 0 PLC                                  | ± | PRODUCT SPEC             | SIZE: CAGE CODE: DRAWING NO:           |
| 1 PLC                                  | ± | APPLICATION SPEC         | RESTRICTED TO:                         |
| 2 PLC                                  | ± | WEIGHT                   | A100779C=2151058                       |
| 3 PLC                                  | ± | MATERIAL                 | Customer Accessible Production Drawing |
| 4 PLC                                  | ± | FINISH                   | SCALE: 1:2 SHEET 2 OF 4 REV: K1        |
| ANGLES                                 | ± |                          |  |

| PART NUMBER | REVISION | DESCRIPTION              | FEED TYPE  |
|-------------|----------|--------------------------|------------|
| 2-2151058-1 | J        | FINE CRIMP HEIGHT ADJUST | MECHANICAL |
| 2-2151058-2 | K        | FINE CRIMP HEIGHT ADJUST | PNEUMATIC  |
| 7-2151058-7 | H        | CRIMP TOOLING KIT        | -          |

PACIFIC VERSION TERMINATOR  
INTERFACE ADAPTER



| APPLICATOR DATA |                |      |
|-----------------|----------------|------|
| CRIMP           | SIZE           | TYPE |
| WIRE            | 2.03 mm [.080] | F    |
| INSUL           | 2.54 mm [.100] | O    |

APPLICATOR INSTRUCTIONS  
408-35042

| TERMINAL DATA: TE TERMINAL                       |                          | TE CRIMP SPECIFICATION                                    |                          |
|--|--------------------------|---|--------------------------|
| TERMINAL NAME: MICRO TIMER 2 CONTACT             |                          |   |                          |
| WIRE STRIP LENGTH<br>3.80-4.40 mm [.150-.173 IN] |                          | INSULATION DIAMETER RANGE<br>Ø1.40-2.10 mm [.055-.083 IN] |                          |
| TERMINAL APPLICATION SPECIFICATION (A) 114-18081 | -                        | -   | -                        |
| (B) 114-18082                                    | -                        | -   | -                        |
| TERMINALS APPLIED                                |                          |   |                          |
| TE TERMINAL (A) 964263-2                         | TE TERMINAL (A) 964263-3 | TE TERMINAL (B) 964267-2                                  | TE TERMINAL (B) 964267-1 |
| (B) 964267-3                                     | (B) 964267-4             | (A) 1241860-2   | (A) 1241860-7            |

| WIRE SIZE           | CRIMP HEIGHT mm [INCH]         | CRIMP HEIGHT REFERENCE SETTING |
|---------------------|--------------------------------|--------------------------------|
| 1.00mm <sup>2</sup> | 1.20 +/- 0.05 [0.047 +/- .002] | 7.3                            |
| 0.75mm <sup>2</sup> | 1.18 +/- 0.05 [0.046 +/- .002] | 7.5                            |
| 0.50mm <sup>2</sup> | 1.15 +/- 0.05 [0.045 +/- .002] | 7.7                            |



- 1. RECOMMENDED SPARE PARTS
- 2. REFER TO SUPPLIED INSTRUCTION SHEET FOR CLEANING, LUBRICATION & STORAGE OF APPLICATOR.
- 3. APPLY PART NUMBER 2-23419-6 LOCTITE TO THREADS OF ITEM 242.
- 4. CRIMP HEIGHT REFERENCE SETTING WAS THE SETTING USED WHEN THE APPLICATOR WAS QUALIFIED AT THE FACTORY. ADJUSTMENT MAY BE NECESSARY WHEN RUNNING APPLICATOR IN THE FIELD.
- 5. TERMINAL LUBRICATOR IS RECOMMENDED WHEN RUNNING GOLD AND SILVER PLATED TERMINALS.
- 6. UNLESS SPECIFIED OTHERWISE TORQUE VALUES SHALL BE USED PER DOCUMENT, 101-35000.

**\*WARNING**  
ON INSTALLATION, SET WIRE DISC TO CRIMP HEIGHT REFERENCE SETTING FOR LARGEST WIRE SIZE. CRIMP HEIGHT REFERENCE SETTINGS GREATER THAN THE VALUE SHOWN MAY CAUSE DAMAGE TO THE CRIMP TOOLING, REFER TO THE INSTRUCTION SHEET FOR PROPER SETUP AND ADJUSTMENTS.

| ENTRY LEVEL APPLICATOR |             | ITEM SUBSTITUTION LIST |                                |                        |
|------------------------|-------------|------------------------|--------------------------------|------------------------|
| PART NUMBER            | SAME AS     | ITEM                   | ITEM DESCRIPTION               | SUBSTITUTE PART NUMBER |
| 8-2151058-1            | 2151058-1   | 1                      | WIRE CRIMPER                   | 1803531-2              |
| 8-2151058-2            | 2151058-2   | 3                      | INSULATION CRIMPER             | 1803624-3              |
| 9-2151058-1            | 2-2151058-1 | 46                     | BASIC SUB -ASSEMBLY            | 1803940-9              |
| 9-2151058-2            | 2-2151058-2 | 141                    | BASIC SUB -ASSEMBLY LUBRICATOR | 1-1803940-0 DELETE     |

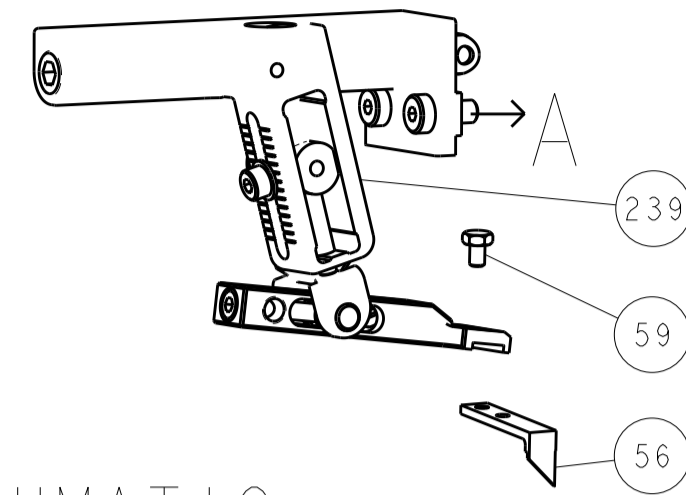
**PACIFIC VERSION**  
Shown on sheets 3 of 4 & 4 of 4  
(Atlantic version shown on sheets 1 of 4 & 2 of 4)

| REVISIONS |     |             |      |      |
|-----------|-----|-------------|------|------|
| P         | LTN | DESCRIPTION | DATE | APPD |
| -         | -   | SEE SHEET 1 | -    | -    |

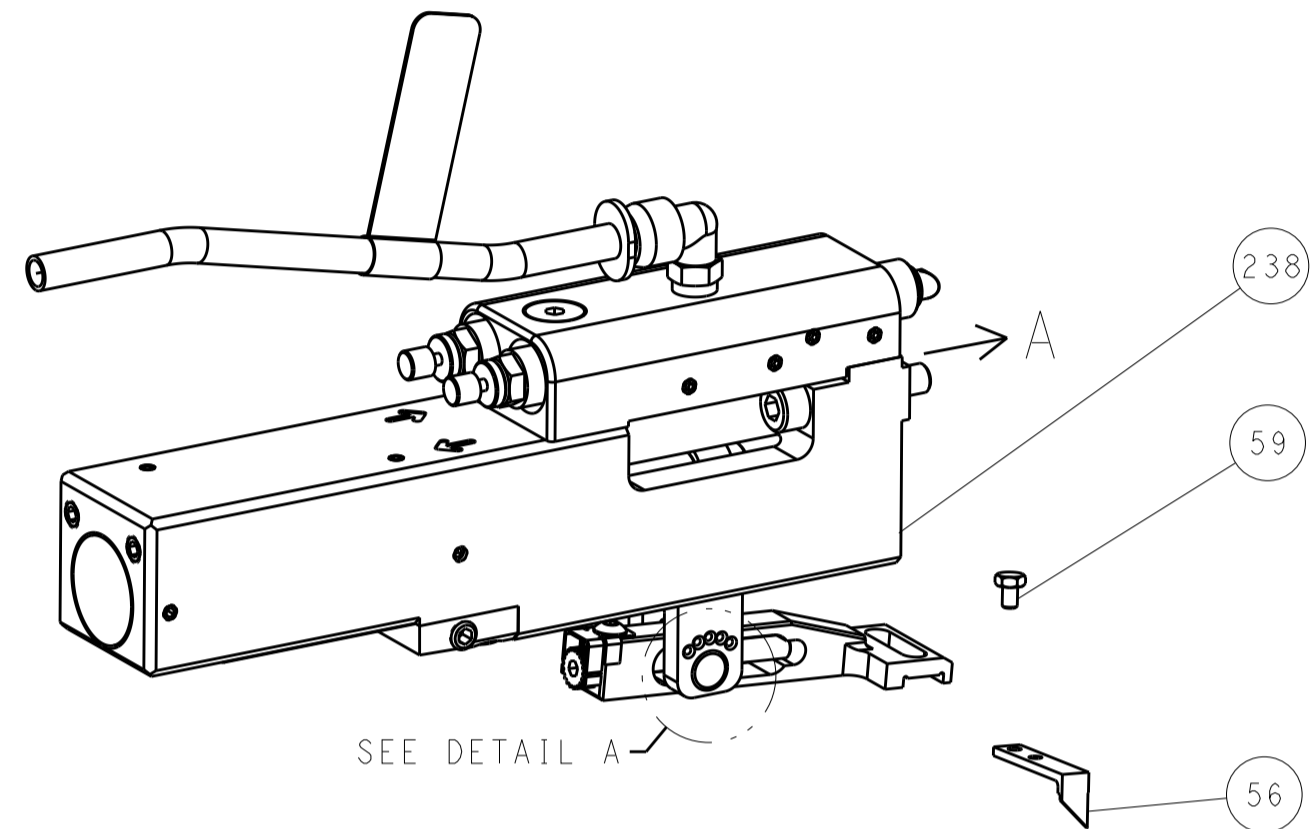
|   |     |     |             |                                     |     |
|---|-----|-----|-------------|-------------------------------------|-----|
| - | 1   | 1   | 2119082-8   | CAM, SNAIL, INSULATION ADJUSTMENT   | 244 |
| - | 1   | 1   | 2079764-1   | WASHER, WAVE SPRING, CREST-TO-CREST | 243 |
| - | 1   | 1   | 2119083-1   | RETAINER, INSULATION DIAL           | 242 |
| - | 1   | 1   | 7-18023-7   | SCR, SKT HD CAP M3 X 4.0            | 241 |
| - | -   | 1   | 2119580-1   | MECHANICAL FEED ASSEMBLY            | 239 |
| - | 1   | -   | 2844940-1   | AIR FEED MODULE                     | 238 |
| - | REF | REF | 994970-2    | COUNTER, MAGNETIC                   | 164 |
| - | 1   | -   | 2119641-2   | FEED CAM, AIR FEED                  | 151 |
| - | 1   | 1   | 2168083-8   | SCR, SKT HD CAP, RoHS, M4 X 16      | 144 |
| - | 4   | 4   | 2168083-9   | SCR, SKT HD CAP, RoHS, M4 X 20      | 143 |
| - | -   | 1   | 2119653-2   | FEED CAM, POST FEED                 | 142 |
| - | 1   | 1   | 1-1803583-0 | APPLICATOR BASIC ASSEMBLY, SF       | 141 |
| - | 1   | 1   | 1803516-1   | RAM ASSEMBLY, SF PACIFIC            | 140 |
| - | 1   | 1   | 2119955-1   | ASSY, LUBRICATOR, SIDE FEED         | 113 |
| - | 1   | 1   | 2844908-1   | SCREW, LOCKING                      | 99  |
| - | 1   | 1   | 2844907-1   | POST, LOCKING                       | 98  |
| - | 1   | 1   | 455888-5    | SPACER, CRIMPER                     | 82  |
| - | 1   | 1   | 1803607-3   | DOCUMENTATION PACKAGE               | 71  |
| - | 1   | 1   | 2119740-1   | TAG, IDENTIFICATION                 | 67  |
| - | 2   | 2   | 2168078-1   | SCREW, DRIVE, RH, RoHS, 2 x .188    | 66  |
| - | 1   | 1   | 5-18022-5   | SCR, HEX HD CAP, M4 X 6.0           | 59  |
| - | 1   | 1   | 1338685-1   | PAWL, FEED                          | 56  |
| - | 2   | 2   | 1-2168083-0 | SCR, SKT HD CAP, RoHS, M4 X 10      | 53  |
| - | 1   | 1   | 5018030-1   | NUT, HEX, REG, RoHS, M3             | 52  |
| - | 1   | 1   | 811242-5    | BUMPER, HOLD DOWN                   | 51  |
| - | 1   | 1   | 690753-2    | SPACER, TONKER                      | 50  |
| - | 1   | 2   | 18023-9     | SCR, SKT HD CAP M4 X 6.0            | 49  |
| - | -   | 1   | 2119652-1   | FEED CAM, PRE FEED                  | 48  |
| - | 1   | 1   | 1803602-1   | SCR, BHSC, RoHS (M8 X 25)           | 41  |
| - | 1   | 1   | 1-1752356-8 | SUPPORT, TERMINAL                   | 34  |
| - | 2   | 2   | 2079383-5   | SCR, BHSC, RoHS (M4 X 20)           | 33  |
| - | 2   | 2   | 2-2844962-6 | SPACER, CYLINDRICAL, STRIP GUIDE    | 30  |
| - | 1   | 1   | 2844992-2   | ASSEMBLY, STRIP GUIDE               | 29  |
| - | 1   | 1   | 1-455888-0  | SPACER, CRIMPER                     | 28  |
| - | 1   | 1   | 1320928-2   | STRIP GUIDE                         | 24  |
| - | 1   | 1   | 2168083-2   | SCR, SKT HD CAP, RoHS, M4 X 8.0     | 21  |
| - | 2   | 2   | 1-18028-2   | WASHER, FLAT, REG M4                | 20  |
| - | 1   | 1   | 2119533-1   | STRIPPER, SIDE FEED                 | 19  |
| - | 1   | 1   | 2119806-1   | INSERT, SHEAR                       | 13  |
| - | 1   | 1   | 3-22280-3   | SPRING, COMPRESSION                 | 12  |
| - | 1   | 1   | 1-356885-4  | STOP, SHEAR                         | 11  |
| - | 1   | 1   | 2119805-1   | SHEAR HOLDER, FRONT                 | 10  |
| - | 1   | 1   | 454276-5    | FLOATING SHEAR, FRONT               | 9   |
| 1 | 1   | 1   | 1333204-3   | ANVIL, COMBINATION                  | 8   |
| - | 1   | 1   | 2119757-4   | DEPRESSOR, SHEAR                    | 5   |
| - | 1   | 1   | 238011-2    | BLOCK, CRIMPER SPACER               | 4   |
| 1 | 1   | 1   | 1633965-3   | CRIMPER, INSULATION O PREMIUM       | 3   |
| - | 1   | 1   | 455888-2    | SPACER, CRIMPER                     | 2   |
| 1 | 1   | 1   | 1803125-2   | CRIMPER, WIRE                       | 1   |

| THIS DRAWING IS A CONTROLLED DOCUMENT. |  | OWN              |  | DATE                                   |  | REV |  |
|--|--|------------------|--|--|--|-----|--|
| DIMENSIONS:                            |  | G.M. YIN         |  | 15SEP2011                              |  | 1   |  |
| mm                                     |  | G. BAILEY        |  | 15SEP2011                              |  | 2   |  |
| TOLERANCES UNLESS OTHERWISE SPECIFIED: |  | S. XI            |  | 15SEP2011                              |  | 3   |  |
| 0 PLC ±                                |  | APVD             |  | 15SEP2011                              |  | 4   |  |
| 1 PLC ±                                |  | NAME             |  | Ocean Side Feed                        |  | 5   |  |
| 2 PLC ±                                |  | PRODUCT SPEC     |  | Applicator                             |  | 6   |  |
| 3 PLC ±                                |  | APPLICATION SPEC |  |  |  | 7   |  |
| 4 PLC ±                                |  | SIZE             |  | A100779                                |  | 8   |  |
| ANGLES ±                               |  | CAGE CODE        |  | 2151058                                |  | 9   |  |
| FINISH ±                               |  | DRAWING NO       |  |  |  | 10  |  |
| MATERIAL                               |  | WEIGHT           |  | Customer Accessible Production Drawing |  | 11  |  |
|  |  | SCALE            |  | 1:2                                    |  | 12  |  |
|  |  | SHEET            |  | 3 of 4                                 |  | 13  |  |
|  |  | REV              |  | K1                                     |  | 14  |  |

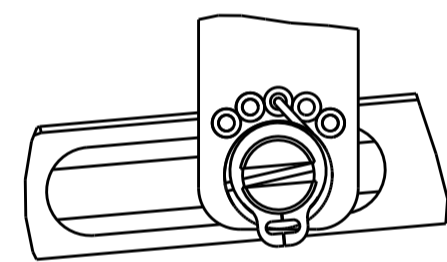
# FEED TYPE MECHANICAL



## PNEUMATIC

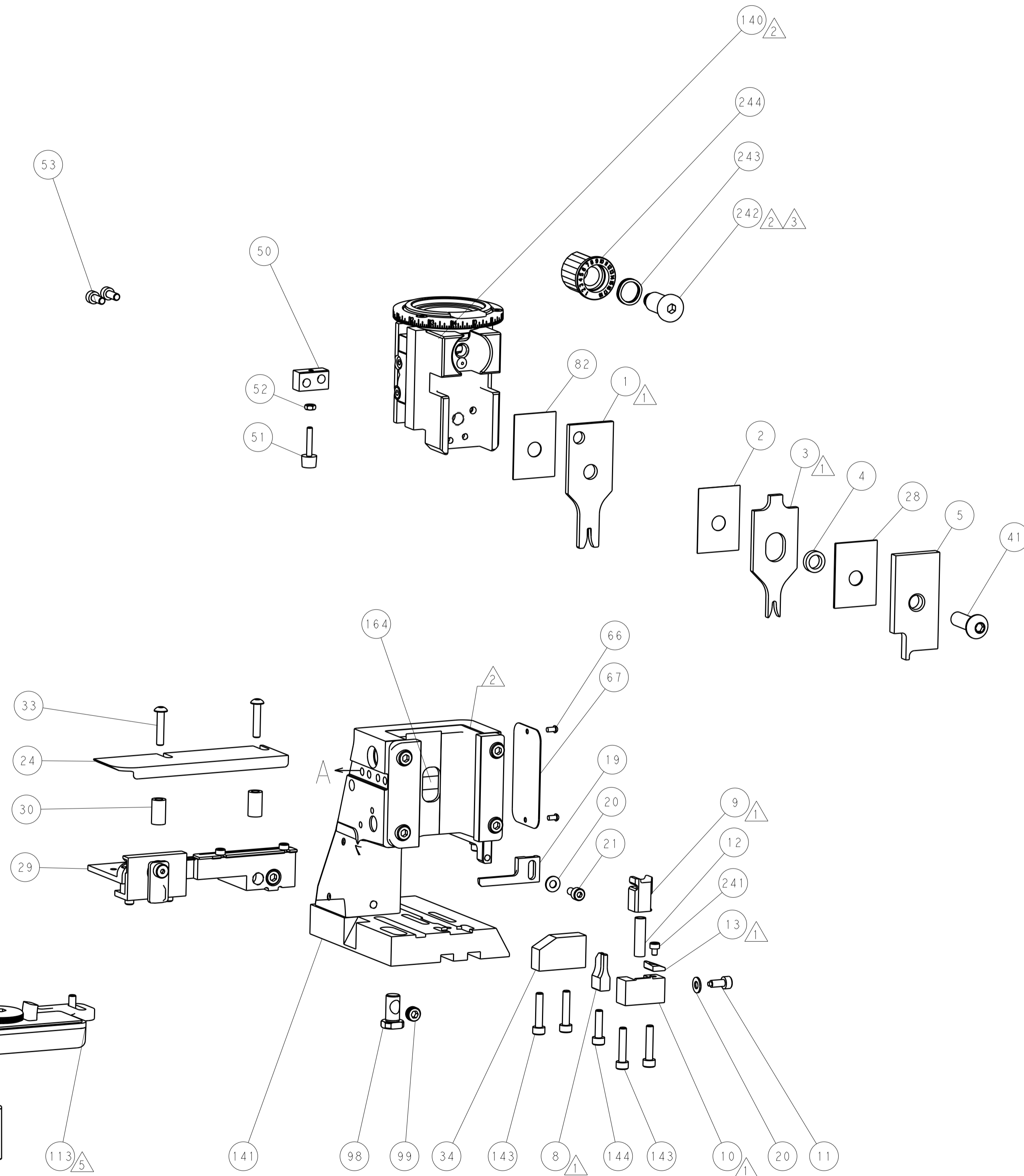
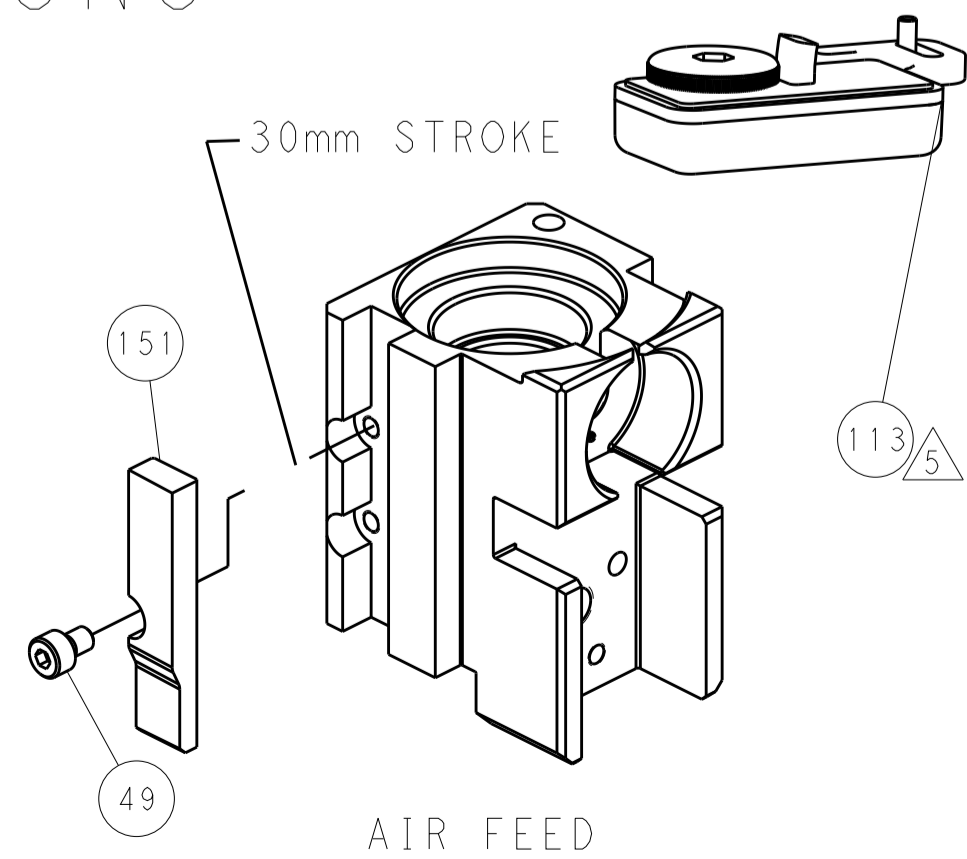
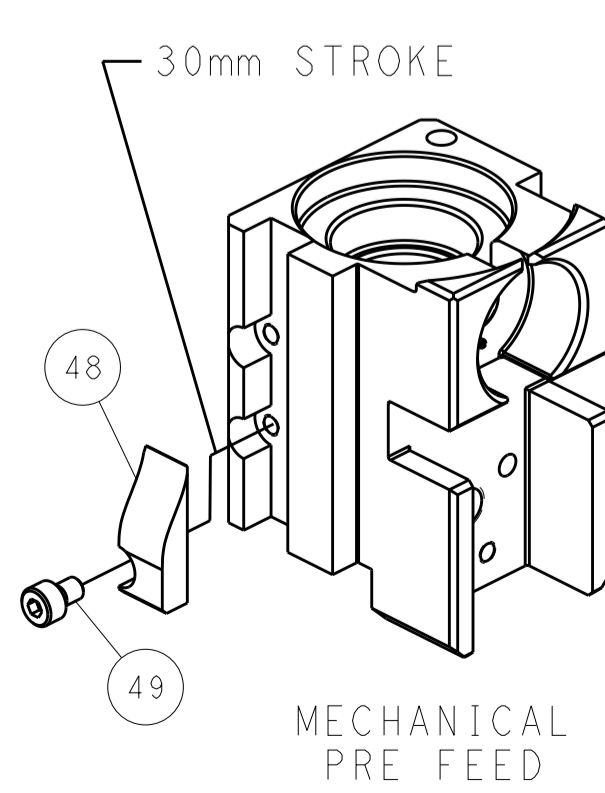
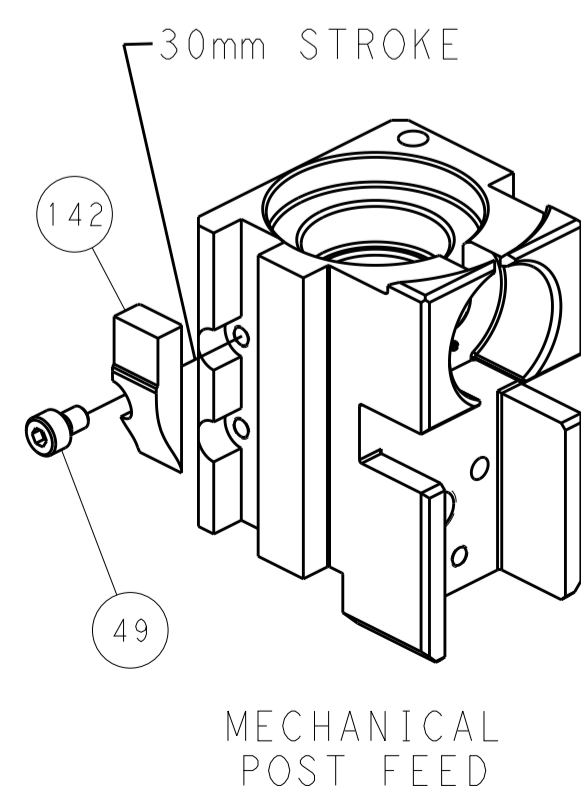


### FEED SPRING SETTING POSITION (SHOWN FROM REAR SIDE)

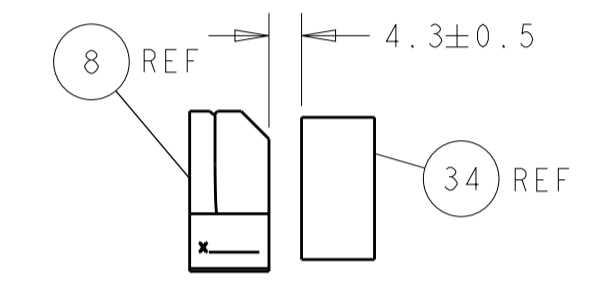


DETAIL A

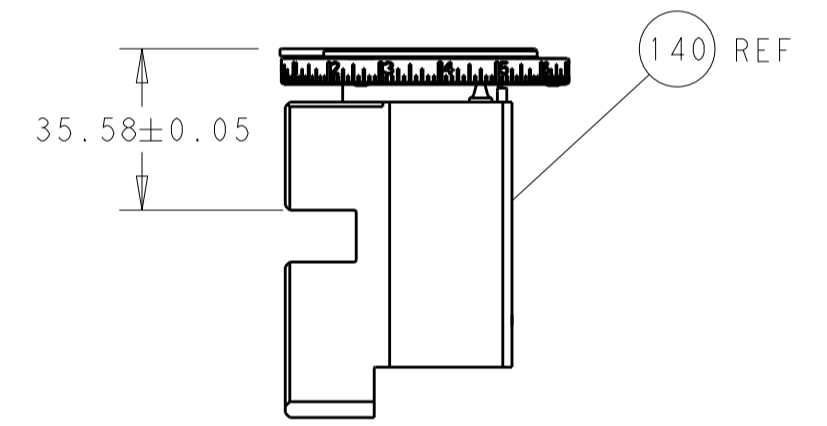
## CAM POSITIONS



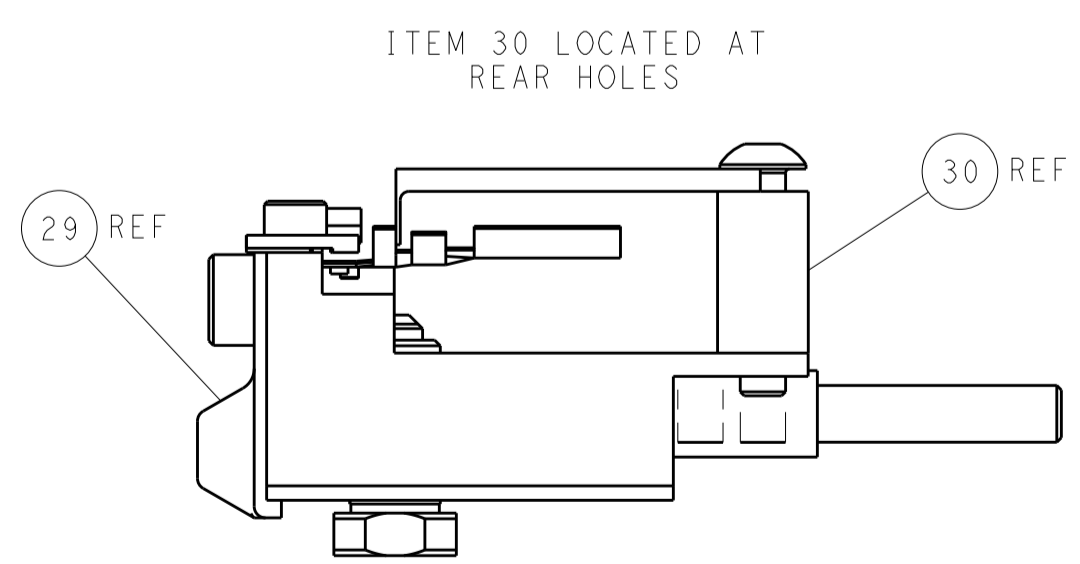
| REVISIONS |      |             |      |       |
|-----------|------|-------------|------|-------|
| P.        | LTN. | DESCRIPTION | DATE | APVD. |
| -         | -    | SEE SHEET 1 | -    | -     |



TERMINAL SUPPORT LOCATION



RAM SET-UP



FEED TRACK POSITION  
GUIDE BY INSULATION BARREL

**PACIFIC VERSION**  
Shown on sheets 3 of 4 & 4 of 4  
(Atlantic version shown on sheets 1 of 4 & 2 of 4)

|  |  |  |                                  |
|--|--|--|----------------------------------|
| THIS DRAWING IS A CONTROLLED DOCUMENT. |  | OWN: Y. YIN 15SEP2011                  | TE Connectivity                  |
| DIMENSIONS: mm                         |  | CHK: G. BAILEY 15SEP2011               |                                  |
| TOLERANCES UNLESS OTHERWISE SPECIFIED: |  | APVD: S. XI 15SEP2011                  | NAME: Ocean Side Feed Applicator |
| 0 PLC ±                                |  | PRODUCT SPEC                           | SIZE: CAGE CODE DRAWING NO       |
| 1 PLC ±                                |  | APPLICATION SPEC                       | A100779C=2151058                 |
| 2 PLC ±                                |  | WEIGHT                                 | RESTRICTED TO                    |
| 3 PLC ±                                |  | Customer Accessible Production Drawing | SCALE: 1:2 SHEET 4 OF 4 REV: K1  |
| 4 PLC ±                                |  |  |                                  |
| ANGLES ±                               |  |  |                                  |
| FINISH                                 |  |  |                                  |

## X-ON Electronics

Largest Supplier of Electrical and Electronic Components

*Click to view similar products for [Crimpers / Crimping Tools](#) category:*

*Click to view products by [TE Connectivity](#) manufacturer:*

Other Similar products are found below :

[010-0096](#) [M225201-06](#) [M225202-37](#) [6-1579015-5](#) [CT150-6-RH07](#) [622-6441LF](#) [M322](#) [6-304052-1](#) [63456-0054](#) [63484-3701](#) [63800-8355](#)  
[63819-1875](#) [63819-2875](#) [63819-4475](#) [63823-3475](#) [63827-5375](#) [64001-0975](#) [64001-4175](#) [64005-0175](#) [662903-2](#) [690602-6](#) [7-1579001-9](#) [7-](#)  
[23471-1](#) [762637-1](#) [808714-1](#) [811242-5](#) [999-50-020083](#) [1-21002-3](#) [1-21002-7](#) [12085270](#) [1-21002-6](#) [1-21113-6](#) [1-22548-4](#) [125442-1](#)  
[DCE.91.073.BVC](#) [DCE.91.090.3MVM](#) [DCE.91.130.5MVU](#) [DCE.91.202.BVCM](#) [1338300-1](#) [1-354003-0](#) [1338301-1](#) [DF62/RE-MD](#) [142321](#)  
[1456088-1](#) [1490794-1](#) [1-45804-6](#) [1490357-2](#) [1490357-3](#) [AX100749](#) [1-59619-7](#)