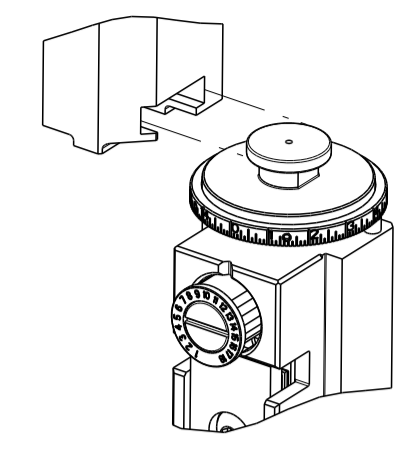


| PART NUMBER | REVISION | DESCRIPTION                      | FEED TYPE  |
|-------------|----------|----------------------------------|------------|
| 2151430-1   | F        | FINE CRIMP HEIGHT ADJUST         | MECHANICAL |
| 2151430-2   | G        | FINE CRIMP HEIGHT ADJUST         | PNEUMATIC  |
| 7-2151430-1 | F        | MECHANICAL AND CRIMP TOOLING KIT | MECHANICAL |
| 7-2151430-2 | G        | PNEUMATIC AND CRIMP TOOLING KIT  | PNEUMATIC  |
| 7-2151430-7 | A        | CRIMP TOOLING KIT                | -          |

ATLANTIC VERSION TERMINATOR INTERFACE ADAPTER



| APPLICATOR DATA |                |      |
|-----------------|----------------|------|
| CRIMP           | SIZE           | TYPE |
| WIRE            | 1.00 mm [.039] | F    |
| INSUL           | 1.40 mm [.055] | F    |

APPLICATOR INSTRUCTIONS 408-35042

| TERMINAL DATA: MOLEX TERMINAL                   |                     | MOLEX CRIMP SPECIFICATION    |                |
|---|---------------------|------------------------------|----------------|
| TERMINAL NAME: 2.00mm PITCH MILLI-GRID TERMINAL |                     |                              |                |
| WIRE STRIP LENGTH                               |                     | INSULATION DIAMETER RANGE    |                |
| 1.30-1.80 mm [.051-.071 IN]                     |                     | Ø0.80-1.40 mm [.031-.055 IN] |                |
| TERMINAL APPLICATION SPECIFICATION              | ATS-639005200 Rev - |                              |                |
| TERMINALS APPLIED                               |                     |                              |                |
| TE TERMINAL                                     | MOLEX TERMINAL      | TE TERMINAL                  | MOLEX TERMINAL |
| 994698-1  | 50394-8052          | 1642397-1                    | 50212-8000     |
| 994698-2  | 50394-8051          | 1949068-1                    | 50394-8053     |
| 621528-1  | 50394-8051          | 1949068-2                    | 50394-8054     |
| 1642396-1                                       | 50394-8051          |                              |                |

| WIRE SIZE                     | CRIMP HEIGHT mm [INCH]        | CRIMP HEIGHT REFERENCE SETTING |
|-------------------------------|-------------------------------|--------------------------------|
| 24 AWG OR 0.20mm <sup>2</sup> | 0.64 +/- 0.05 [.025 +/- .002] | 8.6                            |
| 26 AWG OR 0.12mm <sup>2</sup> | 0.61 +/- 0.05 [.024 +/- .002] | 8.9                            |
| 28 AWG OR 0.08mm <sup>2</sup> | 0.58 +/- 0.05 [.023 +/- .002] | 9.2                            |
| 30 AWG OR 0.05mm <sup>2</sup> | 0.56 +/- 0.05 [.022 +/- .002] | 9.4                            |

- 1. RECOMMENDED SPARE PARTS.
- 2. REFER TO SUPPLIED INSTRUCTION SHEET FOR CLEANING, LUBRICATION AND STORAGE OF APPLICATOR.
- 3. APPLY PART NUMBER 1-23419-5 LOCTITE TO THREADS OF ITEM 50. APPLY PART NUMBER 2-23419-6 LOCTITE TO THREADS OF ITEM 242.
- 4. CRIMP HEIGHT REFERENCE SETTING WAS THE SETTING USED WHEN THE APPLICATOR WAS QUALIFIED AT THE FACTORY. ADJUSTMENT MAY BE NECESSARY WHEN RUNNING APPLICATOR IN THE FIELD.
- 5. 30 AWG / 0.05mm<sup>2</sup> WIRE SIZE IS NOT RECOMMENDED BY TE. BUT CAN BE USED AT CUSTOMERS DISCRETION.
- 6. UNLESS SPECIFIED OTHERWISE TORQUE VALUES SHALL BE USED PER DOCUMENT, 101-35000.
- 7. USE TERMINAL SUPPORT LOCATION SHOWN FOR TERMINALS WITH LOCKING LANCE.

**\*WARNING**  
ON INSTALLATION, SET WIRE DISC TO CRIMP HEIGHT REFERENCE SETTING FOR LARGEST WIRE SIZE. CRIMP HEIGHT REFERENCE SETTINGS GREATER THAN THE VALUE SHOWN MAY CAUSE DAMAGE TO THE CRIMP TOOLING, REFER TO THE INSTRUCTION SHEET FOR PROPER SETUP AND ADJUSTMENTS.

**ATLANTIC VERSION**  
Shown on sheets 1 of 4 & 2 of 4  
(Pacific version shown on sheets 3 of 4 & 4 of 4)

| LOC |     | DIST          |           | REVISIONS |      |  |  |
|-----|-----|---------------|-----------|-----------|------|--|--|
| P   | LTN | DESCRIPTION   | DATE      | OWN       | APVD |  |  |
| A   | 66  |               |           |           |      |  |  |
|     | D   | ECR-18-006969 | 09MAY2018 | FL        | JD   |  |  |
|     | E   | ECR-18-007653 | 17MAY2018 | AW        | CT   |  |  |
|     | F   | ECR-18-015728 | 03OCT2018 | JAH       | CT   |  |  |
|     | G   | ECR-21-121975 | 24NOV2021 | JWC       | TE   |  |  |

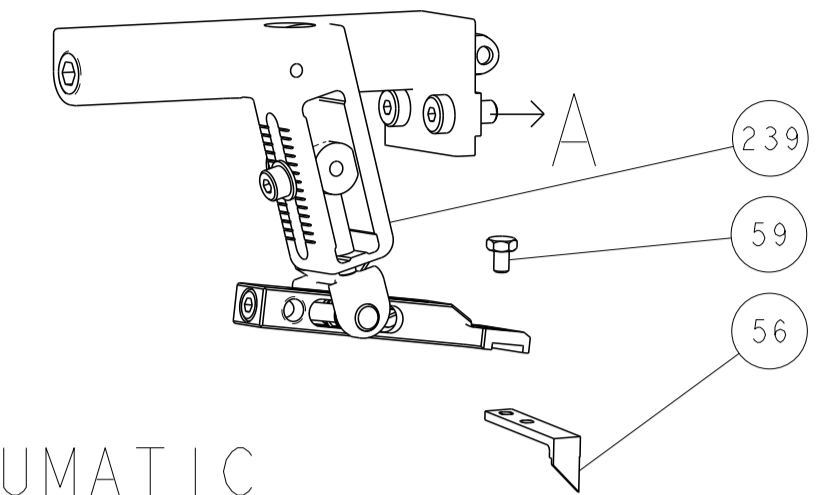
|   |             |     |         |     |             |                                     |                               |   |
|---|-------------|-----|---------|-----|-------------|-------------------------------------|-------------------------------|---|
| - | 1           | -   | 1       | -   | 2119641-1   | FEED CAM, AIR FEED                  | 248                           |   |
| - | 1           | 1   | 1       | 1   | 2119082-8   | CAM, SNAIL, INSULATION ADJUSTMENT   | 244                           |   |
| - | 1           | 1   | 1       | 1   | 2079764-1   | WASHER, WAVE SPRING, CREST-TO-CREST | 243                           |   |
| - | 1           | 1   | 1       | 1   | 2119083-1   | RETAINER, INSULATION DIAL           | 242                           |   |
| - | 1           | 1   | 1       | 1   | 7-18023-7   | SCR, SKT HD CAP M3 X 4.0            | 241                           |   |
| - | -           | 1   | -       | 1   | 2119580-1   | MECHANICAL FEED ASSEMBLY            | 239                           |   |
| - | 1           | -   | 1       | -   | 2844940-1   | AIR FEED MODULE                     | 238                           |   |
| - | 2           | 2   | 2       | 2   | 1-2079383-0 | SCR, BHSC, RoHS (M3 X 6)            | 230                           |   |
| - | 1           | 1   | 1       | 1   | 1-1976053-0 | LOCATER BLOCK, TERMINAL             | 179                           |   |
| - | 1           | 1   | 1       | 1   | 9931111-1   | PIN, SLOTTED SPRING 3.0 X 20.0      | 177                           |   |
| - | 1           | 1   | 1       | 1   | 8-22280-7   | SPRING, COMPRESSION                 | 176                           |   |
| - | 1           | 1   | 1       | 1   | 1752353-2   | GUIDE PIN, HOLDDOWN                 | 175                           |   |
| - | 1           | 1   | 1       | 1   | 1901680-2   | GUIDE PIN, HOLDDOWN                 | 174                           |   |
| - | REF         | REF | REF     | REF | 994970-2    | COUNTER, MAGNETIC                   | 164                           |   |
| - | 1           | 1   | 1       | 1   | 1-18028-2   | WASHER, FLAT, REG M4                | 119                           |   |
| - | 1           | 1   | 1       | 1   | 2844908-1   | SCREW, LOCKING                      | 99                            |   |
| - | 1           | 1   | 1       | 1   | 2844907-1   | POST, LOCKING                       | 98                            |   |
| - | 1           | 1   | 1       | 1   | 1-455888-7  | SPACER, CRIMPER                     | 82                            |   |
| - | 1           | 1   | 1       | 1   | 1803607-3   | DOCUMENTATION PACKAGE               | 71                            |   |
| - | 1           | 1   | 1       | 1   | 2-2119791-2 | DEPRESSOR, WIRE                     | 70                            |   |
| - | 1           | 1   | 1       | 1   | 2119740-1   | TAG, IDENTIFICATION                 | 67                            |   |
| - | 2           | 2   | 2       | 2   | 2168078-1   | SCREW, DRIVE, RH, RoHS, 2 x .188    | 66                            |   |
| - | 1           | 1   | 1       | 1   | 2168083-2   | SCR, SKT HD CAP, RoHS, M4 X 8.0     | 60                            |   |
| - | 1           | 1   | 1       | 1   | 5-18022-5   | SCR, HEX HD CAP, M4 X 6.0           | 59                            |   |
| - | 1           | 1   | 1       | 1   | 1338685-1   | PAWL, FEED                          | 56                            |   |
| - | 4           | 4   | 4       | 4   | 2168083-3   | SCR, SKT HD CAP, RoHS, M4 X 12.0    | 54                            |   |
| - | 1           | 1   | 1       | 1   | 1-5018030-0 | NUT, HEX, REG, RoHS, M3.5           | 52                            |   |
| - | 1           | 1   | 1       | 1   | 1901681-4   | HOLDDOWN, TERMINAL                  | 51                            |   |
| - | 1           | 1   | 1       | 1   | 1752354-7   | STANDOFF, HOLD-DOWN                 | 50                            |   |
| - | 1           | 2   | 1       | 2   | 18023-9     | SCR, SKT HD CAP M4 X 6.0            | 49                            |   |
| - | -           | 1   | -       | 1   | 2119652-1   | FEED CAM, PRE FEED                  | 48                            |   |
| - | -           | 1   | -       | 1   | 2119653-1   | FEED CAM, POST FEED                 | 47                            |   |
| - | 1           | 1   | 1       | 1   | 1803583-9   | APPLICATOR BASIC ASSEMBLY, SF       | 46                            |   |
| - | 1           | 1   | 1       | 1   | 1803515-3   | RAM ASSEMBLY, SF ATLANTIC           | 44                            |   |
| - | 1           | 1   | 1       | 1   | 1803602-1   | SCR, BHSC, RoHS (M8 X 25)           | 41                            |   |
| - | 1           | 1   | 1       | 1   | 2-1752356-5 | SUPPORT, TERMINAL                   | 34                            |   |
| - | 2           | 2   | 2       | 2   | 2079383-5   | SCR, BHSC, RoHS (M4 X 20)           | 33                            |   |
| - | 2           | 2   | 2       | 2   | 2-2844962-3 | SPACER, CYLINDRICAL, STRIP GUIDE    | 30                            |   |
| - | 1           | 1   | 1       | 1   | 2844992-1   | ASSEMBLY, STRIP GUIDE               | 29                            |   |
| - | 1           | 1   | 1       | 1   | 1320928-2   | STRIP GUIDE                         | 24                            |   |
| - | 1           | 1   | 1       | 1   | 2168083-2   | SCR, SKT HD CAP, RoHS, M4 X 8.0     | 21                            |   |
| - | 1           | 1   | 1       | 1   | 1-18028-2   | WASHER, FLAT, REG M4                | 20                            |   |
| - | 1           | 1   | 1       | 1   | 2119533-3   | STRIPPER, SIDE FEED                 | 19                            |   |
| - | 1           | 1   | 1       | 1   | 2119806-1   | INSERT, SHEAR                       | 13                            |   |
| - | 1           | 1   | 1       | 1   | 3-22280-3   | SPRING, COMPRESSION                 | 12                            |   |
| - | 1           | 1   | 1       | 1   | 1-356885-3  | STOP, SHEAR                         | 11                            |   |
| - | 1           | 1   | 1       | 1   | 2119805-1   | SHEAR HOLDER, FRONT                 | 10                            |   |
| - | 1           | 1   | 1       | 1   | 1803095-6   | FLOATING SHEAR, FRONT               | 9                             |   |
| - | 1           | 2   | 2       | 1   | 1           | 7-1633139-3                         | ANVIL, COMBINATION            | 8 |
| - | -           | -   | -       | -   | -           | -                                   | 7                             |   |
| - | -           | -   | -       | -   | -           | -                                   | 6                             |   |
| - | 1           | 1   | 1       | 1   | 2119757-5   | DEPRESSOR, SHEAR                    | 5                             |   |
| - | 1           | 1   | 1       | 1   | 2-238011-0  | BLOCK, CRIMPER SPACER               | 4                             |   |
| - | 1           | 2   | 2       | 1   | 1           | 5-1803223-0                         | CRIMPER, INSULATION F PREMIUM | 3 |
| - | 1           | 1   | 1       | 1   | 455888-3    | SPACER, CRIMPER                     | 2                             |   |
| - | 1           | 2   | 2       | 1   | 1           | 5-1490019-0                         | CRIMPER, WIRE PREMIUM         | 1 |
| - | 77          | -72 | -71     | -2  | -1          | PART NO                             | ITEM NO                       |   |
| - | DESCRIPTION |     | ITEM NO |     |             |                                     |                               |   |

| DIMENSIONS: |        | TOLERANCES UNLESS OTHERWISE SPECIFIED: |  | MATERIAL: |  | FINISH: |  |
|-------------|--------|--|--|-----------|--|---------|--|
| mm          | 0 PLC  | ±                                      |  |           |  |         |  |
|             | 1 PLC  | ±                                      |  |           |  |         |  |
|             | 2 PLC  | ±                                      |  |           |  |         |  |
|             | 3 PLC  | ±                                      |  |           |  |         |  |
|             | 4 PLC  | ±                                      |  |           |  |         |  |
|             | ANGLES |  |  |           |  |         |  |
|             | FINISH |  |  |           |  |         |  |

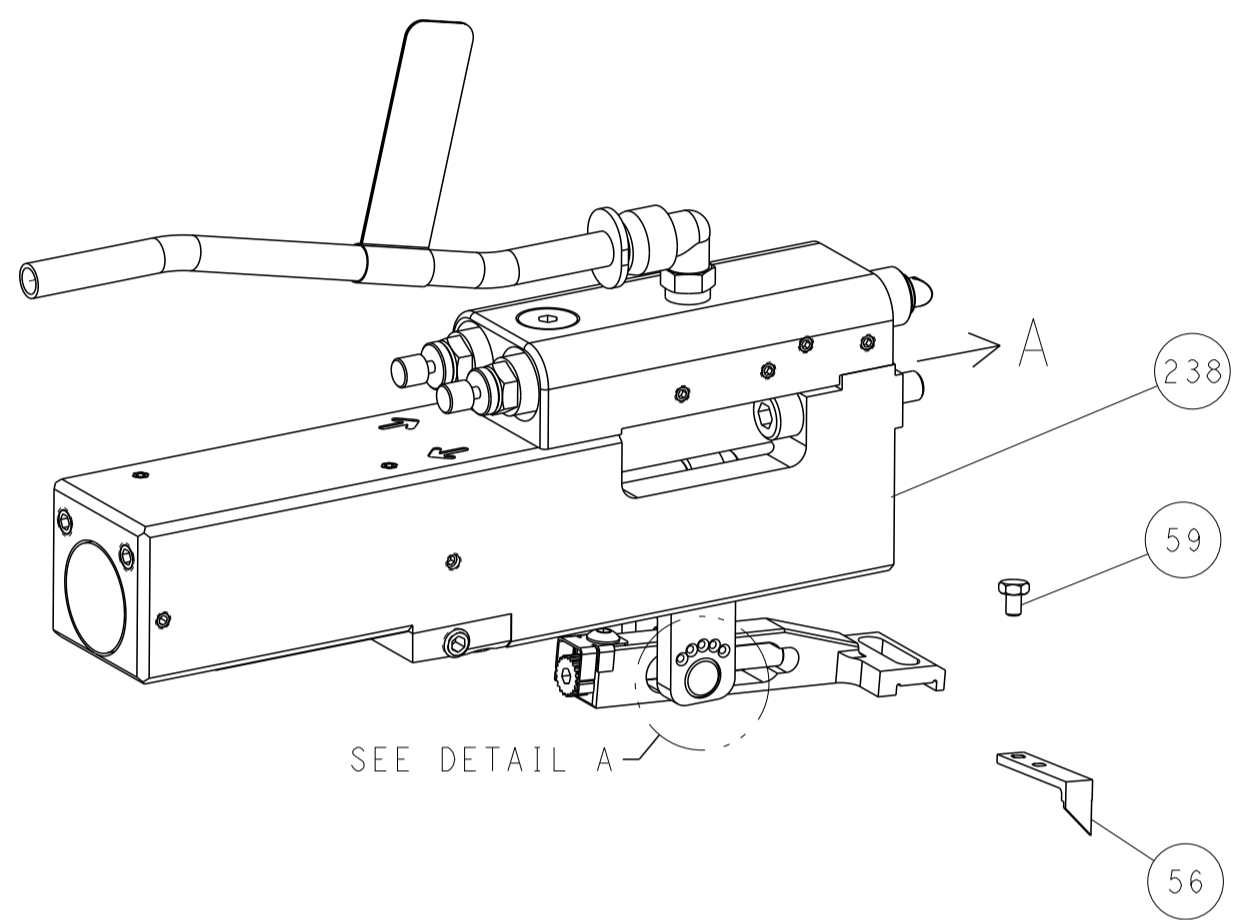
|  |                            |            |               |
|--|----------------------------|------------|---------------|
| OWN                                    | X. ZHAO                    | 11MAY2012  |               |
| CHK                                    | T. ELBIN                   | 11MAY2012  |               |
| APVD                                   | S. XI                      | 11MAY2012  |               |
| NAME                                   | Ocean Side Feed Applicator |            |               |
| SIZE                                   | CAGE CODE                  | DRAWING NO | RESTRICTED TO |
| A1                                     | 00779                      | C=2151430  |               |
| Customer Accessible Production Drawing |                            | SCALE      | SHEET 1 OF 4  |
|  |                            | 1:2        | REV G         |

| LOC | DIST | REVISIONS |     |             |      |     |      |
|-----|------|-----------|-----|-------------|------|-----|------|
|     |      | P         | LTN | DESCRIPTION | DATE | DWN | APVD |
| A   | 66   | -         | -   | SEE SHEET 1 | -    | -   | -    |

# FEED TYPE MECHANICAL



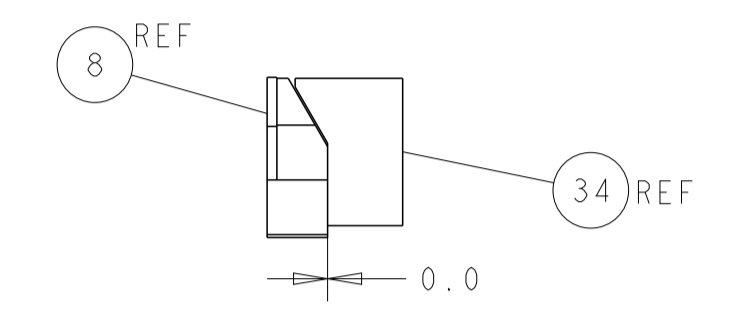
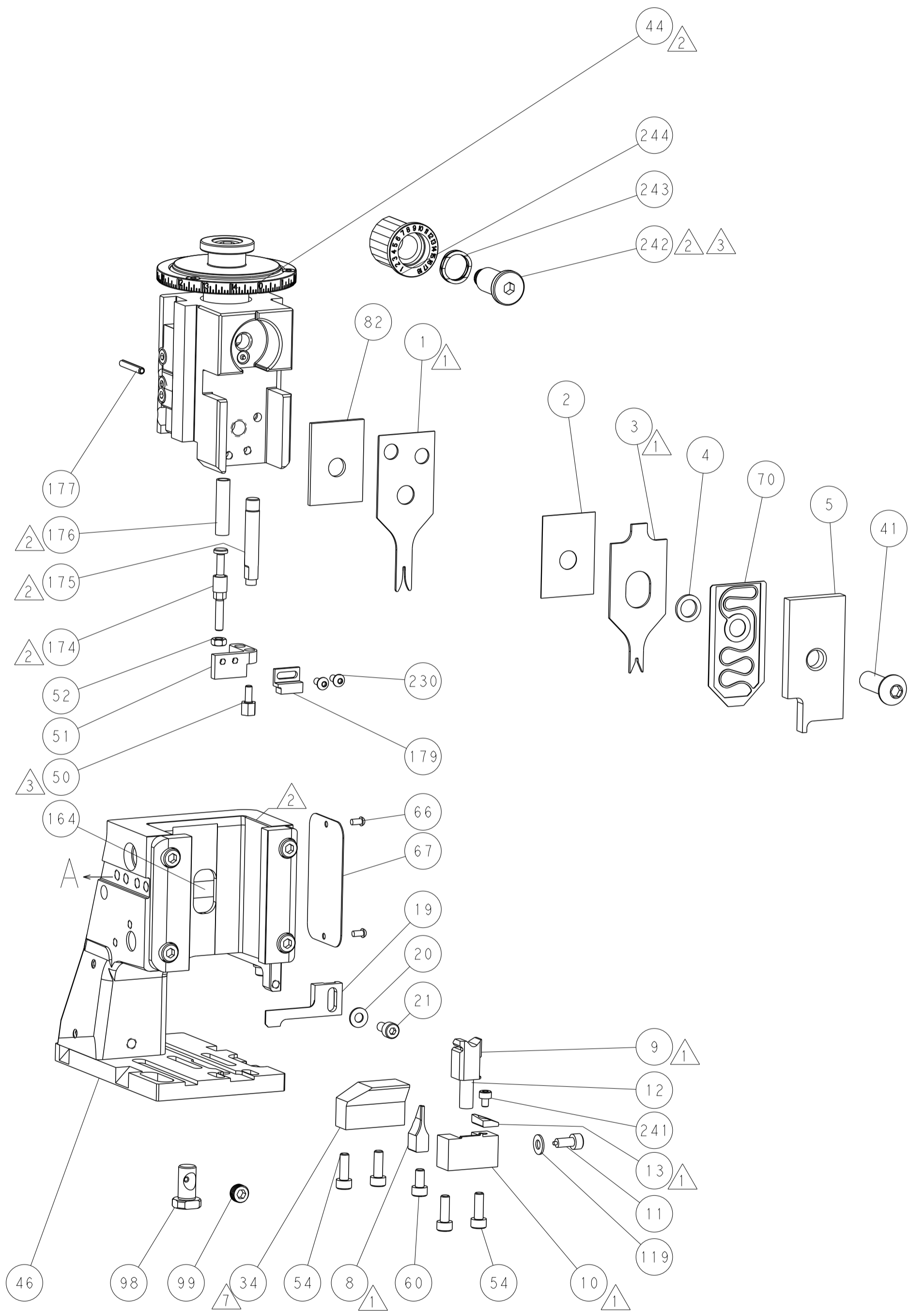
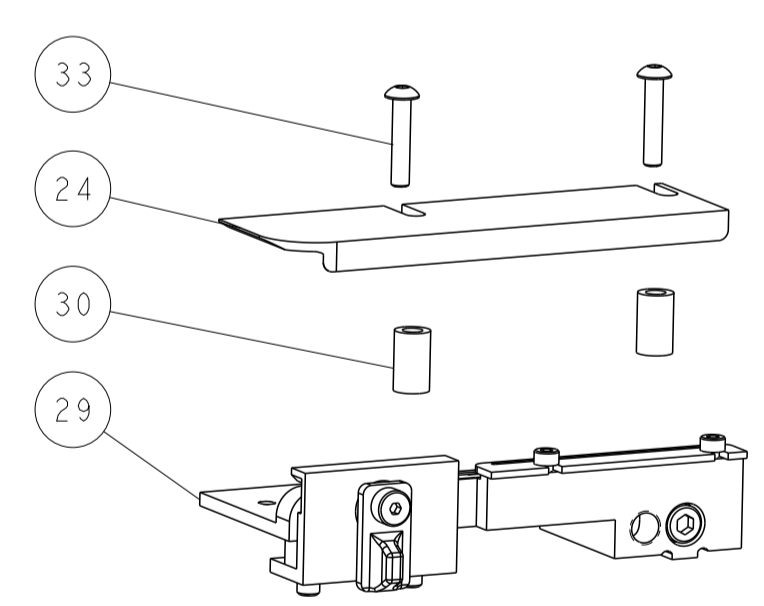
## PNEUMATIC



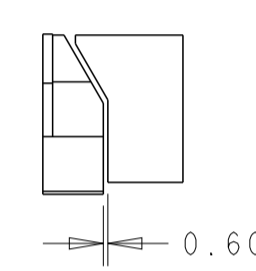
## FEED SPRING SETTING POSITION (SHOWN FROM REAR SIDE)



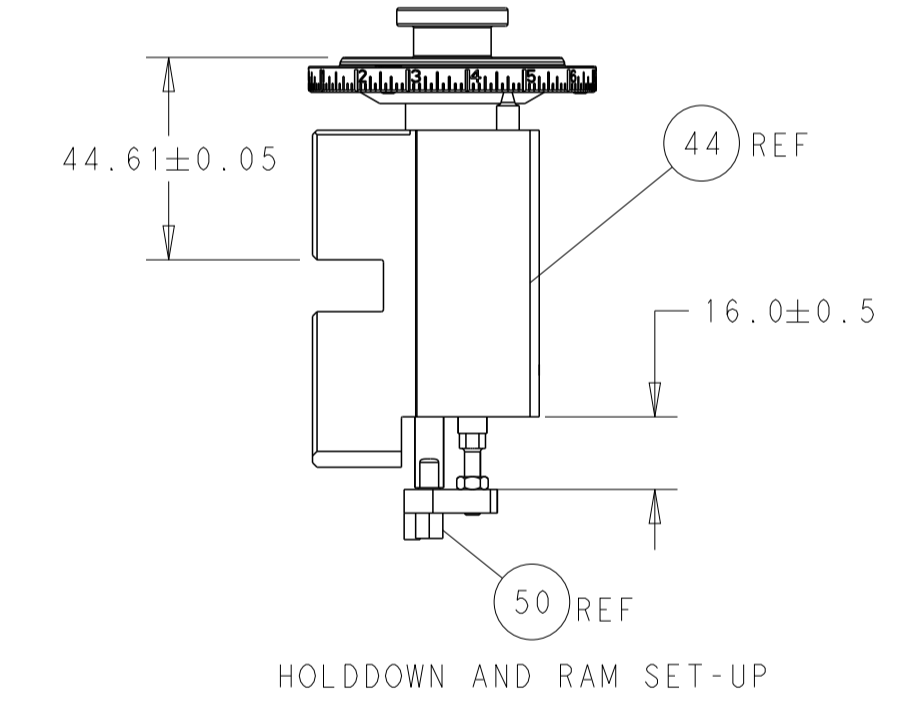
DETAIL A



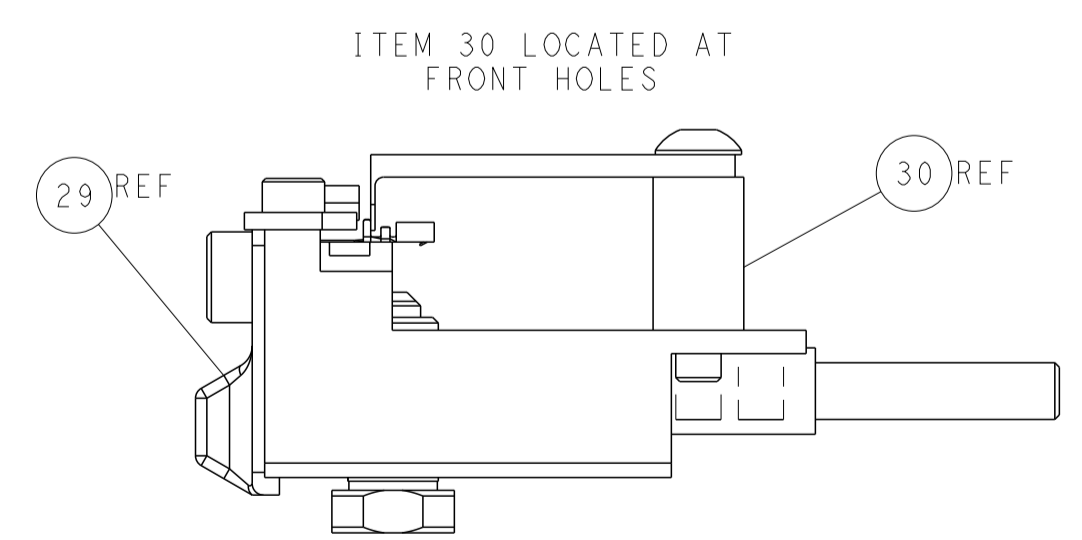
TERMINAL SUPPORT LOCATION



TERMINAL SUPPORT LOCATION FOR TERMINALS WITH LOCKING LANCE

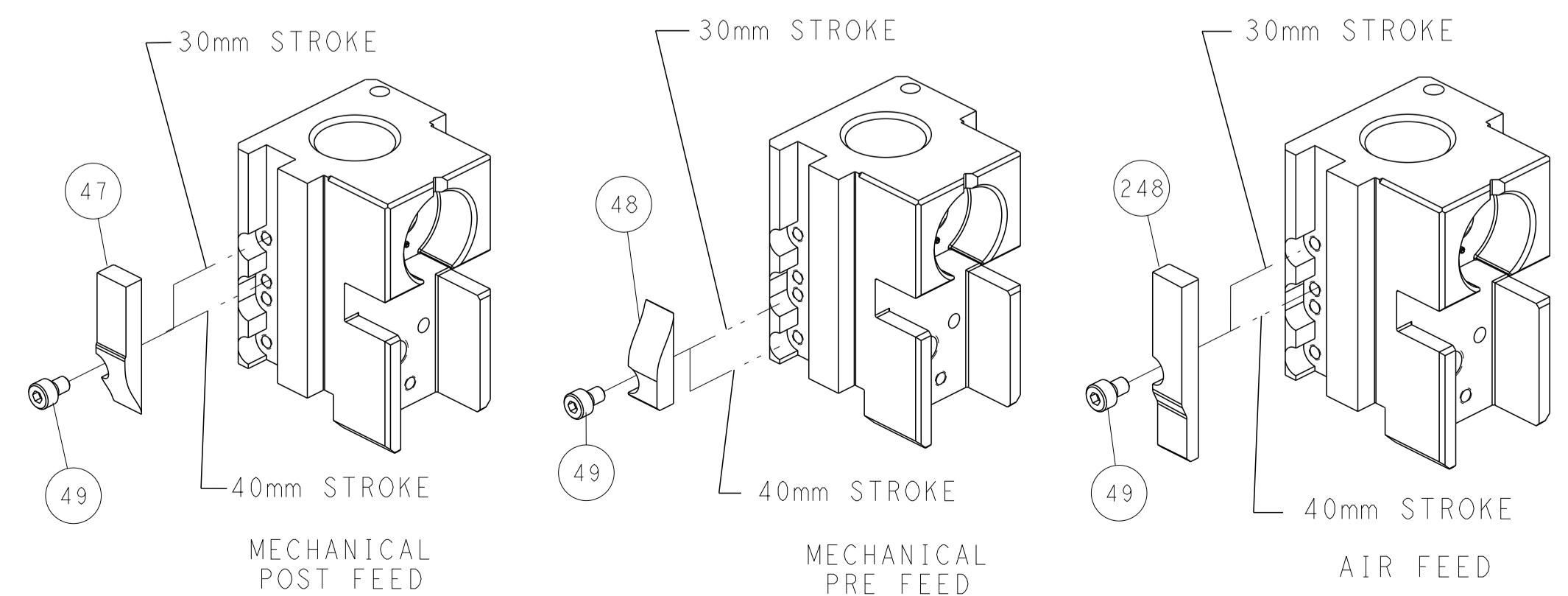


HOLDDOWN AND RAM SET-UP



FEED TRACK POSITION GUIDE BY INSULATION BARREL

# CAM POSITIONS



**ATLANTIC VERSION**  
 Shown on sheets 1 of 4 & 2 of 4  
 (Pacific version shown on sheets 3 of 4 & 4 of 4)

|             |         |  |         |  |         |                            |  |
|-------------|---------|--|---------|--|---------|----------------------------|--|
| DIMENSIONS: |         | TOLERANCES UNLESS OTHERWISE SPECIFIED: |         | DWN X.ZHAO 11MAY2012                   |         | TE Connectivity            |  |
| mm          | 0 PLC ± | 1 PLC ±                                | 2 PLC ± | 3 PLC ±                                | 4 PLC ± | Harrisburg, PA 17105-3608  |  |
| MATERIAL:   |         | FINISH:                                |         | APVD S.XI 11MAY2012                    |         | NAME                       |  |
|             |         |  |         | PRODUCT SPEC                           |         | Ocean Side Feed Applicator |  |
|             |         |  |         | APPLICATION SPEC                       |         | SIZE CAGE CODE DRAWING NO  |  |
|             |         |  |         | WEIGHT                                 |         | A1 00779 C=2151430         |  |
|             |         |  |         | Customer Accessible Production Drawing |         | RESTRICTED TO              |  |
|             |         |  |         | SCALE 1:2                              |         | SHEET 2 OF 4 REV G         |  |

| PART NUMBER | REVISION | DESCRIPTION              | FEED TYPE  |
|-------------|----------|--------------------------|------------|
| 2-2151430-1 | F        | FINE CRIMP HEIGHT ADJUST | MECHANICAL |
| 2-2151430-2 | G        | FINE CRIMP HEIGHT ADJUST | PNEUMATIC  |
| 7-2151430-7 | A        | CRIMP TOOLING KIT        | -          |

PACIFIC VERSION TERMINATOR  
 INTERFACE ADAPTER



| APPLICATOR DATA |                |      |
|-----------------|----------------|------|
| CRIMP           | SIZE           | TYPE |
| WIRE            | 1.00 mm [.039] | F    |
| INSUL           | 1.40 mm [.055] | F    |

APPLICATOR INSTRUCTIONS  
 408-35042

| TERMINAL DATA: MOLEX TERMINAL                             |                              | MOLEX CRIMP SPECIFICATION |                |
|---|------------------------------|---------------------------|----------------|
| TERMINAL NAME: 2.00mm PITCH MILLI-GRID TERMINAL           |                              |                           |                |
| WIRE STRIP LENGTH   | INSULATION DIAMETER RANGE    |                           |                |
| 1.30-1.80 mm [.051-.071 IN]                               | Ø0.80-1.40 mm [.031-.055 IN] |                           |                |
| TERMINAL APPLICATION SPECIFICATION<br>ATS-639005200 Rev - |                              |                           |                |
| TERMINALS APPLIED   |                              |                           |                |
| TE TERMINAL   | MOLEX TERMINAL               | TE TERMINAL               | MOLEX TERMINAL |
| 994698-1  | 50394-8052                   | 1642397-1                 | 50212-8000     |
| 994698-2  | 50394-8051                   | 1949068-1                 | 50394-8053     |
| 621528-1  | 50394-8051                   | 1949068-2                 | 50394-8054     |
| 1642396-1   | 50394-8051                   |                           |                |

| WIRE SIZE                     | CRIMP HEIGHT mm [INCH]        | CRIMP HEIGHT REFERENCE SETTING |
|-------------------------------|-------------------------------|--------------------------------|
| 24 AWG OR 0.20mm <sup>2</sup> | 0.64 +/- 0.05 [.025 +/- .002] | 8.6                            |
| 26 AWG OR 0.12mm <sup>2</sup> | 0.61 +/- 0.05 [.024 +/- .002] | 8.9                            |
| 28 AWG OR 0.08mm <sup>2</sup> | 0.58 +/- 0.05 [.023 +/- .002] | 9.2                            |
| 30 AWG OR 0.05mm <sup>2</sup> | 0.56 +/- 0.05 [.022 +/- .002] | 9.4                            |

- RECOMMENDED SPARE PARTS.
- REFER TO SUPPLIED INSTRUCTION SHEET FOR CLEANING, LUBRICATION AND STORAGE OF APPLICATOR.
- APPLY PART NUMBER 1-23419-5 LOCTITE TO THREADS OF ITEM 50. APPLY PART NUMBER 2-23419-6 LOCTITE TO THREADS OF ITEM 242.
- CRIMP HEIGHT REFERENCE SETTING WAS THE SETTING USED WHEN THE APPLICATOR WAS QUALIFIED AT THE FACTORY. ADJUSTMENT MAY BE NECESSARY WHEN RUNNING APPLICATOR IN THE FIELD.
- 30 AWG / 0.05mm<sup>2</sup> WIRE SIZE IS NOT RECOMMENDED BY TE. BUT CAN BE USED AT CUSTOMERS DISCRETION.
- UNLESS SPECIFIED OTHERWISE TORQUE VALUES SHALL BE USED PER DOCUMENT, 101-35000.
- USE TERMINAL SUPPORT LOCATION SHOWN FOR TERMINALS WITH LOCKING LANCE.

**\*WARNING**  
 ON INSTALLATION, SET WIRE DISC TO CRIMP HEIGHT REFERENCE SETTING FOR LARGEST WIRE SIZE. CRIMP HEIGHT REFERENCE SETTINGS GREATER THAN THE VALUE SHOWN MAY CAUSE DAMAGE TO THE CRIMP TOOLING, REFER TO THE INSTRUCTION SHEET FOR PROPER SETUP AND ADJUSTMENTS.

**PACIFIC VERSION**  
 Shown on sheets 3 of 4 & 4 of 4  
 (Atlantic version shown on sheets 1 of 4 & 2 of 4)

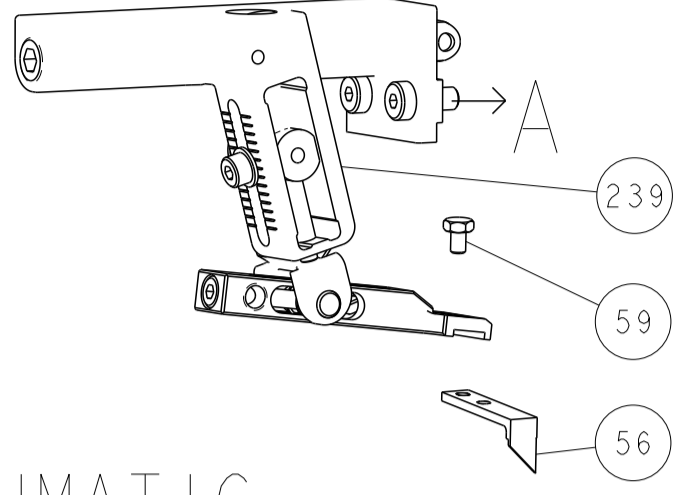
| LOC | DIST | REV | DATE | BY | APPV |
|-----|------|-----|------|----|------|
| A   | 66   |     |      |    |      |

| REV | DATE | BY  | APPV | DESCRIPTION                                   | ITEM NO |
|-----|------|-----|------|---|---------|
| -   | 1    | 1   |      | 2119082-8 CAM, SNAIL, INSULATION ADJUSTMENT   | 244     |
| -   | 1    | 1   |      | 2079764-1 WASHER, WAVE SPRING, CREST-TO-CREST | 243     |
| -   | 1    | 1   |      | 2119083-1 RETAINER, INSULATION DIAL           | 242     |
| -   | 1    | 1   |      | 7-18023-7 SCR, SKT HD CAP M3 X 4.0            | 241     |
| -   | -    | 1   |      | 2119580-1 MECHANICAL FEED ASSEMBLY            | 239     |
| -   | 1    | -   |      | 2844940-1 AIR FEED MODULE                     | 238     |
| -   | 2    | 2   |      | 1-2079383-0 SCR, BHSC, RoHS (M3 X 6)          | 230     |
| -   | 1    | 1   |      | 1-1976053-0 LOCATER BLOCK, TERMINAL           | 179     |
| -   | 1    | 1   |      | 993111-1 PIN, SLOTTED SPRING 3.0 X 20.0       | 177     |
| -   | 1    | 1   |      | 8-22280-7 SPRING, COMPRESSION                 | 176     |
| -   | 1    | 1   |      | 1752353-2 GUIDE PIN, HOLDDOWN                 | 175     |
| -   | 1    | 1   |      | 1901680-2 GUIDE PIN, HOLDDOWN                 | 174     |
| -   | REF  | REF |      | 994970-2 COUNTER, MAGNETIC                    | 164     |
| -   | 1    | -   |      | 2119641-2 FEED CAM, AIR FEED                  | 151     |
| -   | 1    | 1   |      | 2168083-8 SCR, SKT HD CAP, RoHS, M4 X 16      | 144     |
| -   | 4    | 4   |      | 2168083-9 SCR, SKT HD CAP, RoHS, M4 X 20      | 143     |
| -   | -    | 1   |      | 2119653-2 FEED CAM, POST FEED                 | 142     |
| -   | 1    | 1   |      | 1-1803583-0 APPLICATOR BASIC ASSEMBLY, SF     | 141     |
| -   | 1    | 1   |      | 1803516-1 RAM ASSEMBLY, SF PACIFIC            | 140     |
| -   | 1    | 1   |      | 1-18028-2 WASHER, FLAT, REG M4                | 119     |
| -   | 1    | 1   |      | 2844908-1 SCREW, LOCKING                      | 99      |
| -   | 1    | 1   |      | 2844907-1 POST, LOCKING                       | 98      |
| -   | 1    | 1   |      | 1-455888-7 SPACER, CRIMPER                    | 82      |
| -   | 1    | 1   |      | 1803607-3 DOCUMENTATION PACKAGE               | 71      |
| -   | 1    | 1   |      | 2-2119791-2 DEPRESSOR, WIRE                   | 70      |
| -   | 1    | 1   |      | 2119740-1 TAG, IDENTIFICATION                 | 67      |
| -   | 2    | 2   |      | 2168078-1 SCREW, DRIVE, RH, RoHS, 2 x .188    | 66      |
| -   | 1    | 1   |      | 5-18022-5 SCR, HEX HD CAP, M4 X 6.0           | 59      |
| -   | 1    | 1   |      | 1338685-1 PAWL, FEED                          | 56      |
| -   | 1    | 1   |      | 1-5018030-0 NUT, HEX, REG, RoHS, M3.5         | 52      |
| -   | 1    | 1   |      | 1901681-4 HOLDDOWN, TERMINAL                  | 51      |
| -   | 1    | 1   |      | 1752354-7 STANDOFF, HOLD-DOWN                 | 50      |
| -   | 1    | 2   |      | 18023-9 SCR, SKT HD CAP M4 X 6.0              | 49      |
| -   | -    | 1   |      | 2119652-1 FEED CAM, PRE FEED                  | 48      |
| -   | 1    | 1   |      | 1803602-1 SCR, BHSC, RoHS (M8 X 25)           | 41      |
| -   | 1    | 1   |      | 2-1752356-5 SUPPORT, TERMINAL                 | 34      |
| -   | 2    | 2   |      | 2079383-5 SCR, BHSC, RoHS (M4 X 20)           | 33      |
| -   | 2    | 2   |      | 2-2844962-3 SPACER, CYLINDRICAL, STRIP GUIDE  | 30      |
| -   | 1    | 1   |      | 2844992-1 ASSEMBLY, STRIP GUIDE               | 29      |
| -   | 1    | 1   |      | 1320928-2 STRIP GUIDE                         | 24      |
| -   | 1    | 1   |      | 2168083-2 SCR, SKT HD CAP, RoHS, M4 X 8.0     | 21      |
| -   | 1    | 1   |      | 1-18028-2 WASHER, FLAT, REG M4                | 20      |
| -   | 1    | 1   |      | 2119533-3 STRIPPER, SIDE FEED                 | 19      |
| -   | 1    | 1   |      | 2119806-1 INSERT, SHEAR                       | 13      |
| -   | 1    | 1   |      | 3-22280-3 SPRING, COMPRESSION                 | 12      |
| -   | 1    | 1   |      | 1-356885-3 STOP, SHEAR                        | 11      |
| -   | 1    | 1   |      | 2119805-1 SHEAR HOLDER, FRONT                 | 10      |
| -   | 1    | 1   |      | 1803095-6 FLOATING SHEAR, FRONT               | 9       |
| -   | 1    | 1   |      | 7-1633139-3 ANVIL, COMBINATION                | 8       |
| -   | -    | -   |      | -   | 7       |
| -   | -    | -   |      | -   | 6       |
| -   | 1    | 1   |      | 2119757-5 DEPRESSOR, SHEAR                    | 5       |
| -   | 1    | 1   |      | 2-238011-0 BLOCK, CRIMPER SPACER              | 4       |
| -   | 1    | 1   |      | 5-1803223-0 CRIMPER, INSULATION F PREMIUM     | 3       |
| -   | 1    | 1   |      | 455888-3 SPACER, CRIMPER                      | 2       |
| -   | 1    | 1   |      | 5-1490019-0 CRIMPER, WIRE PREMIUM             | 1       |

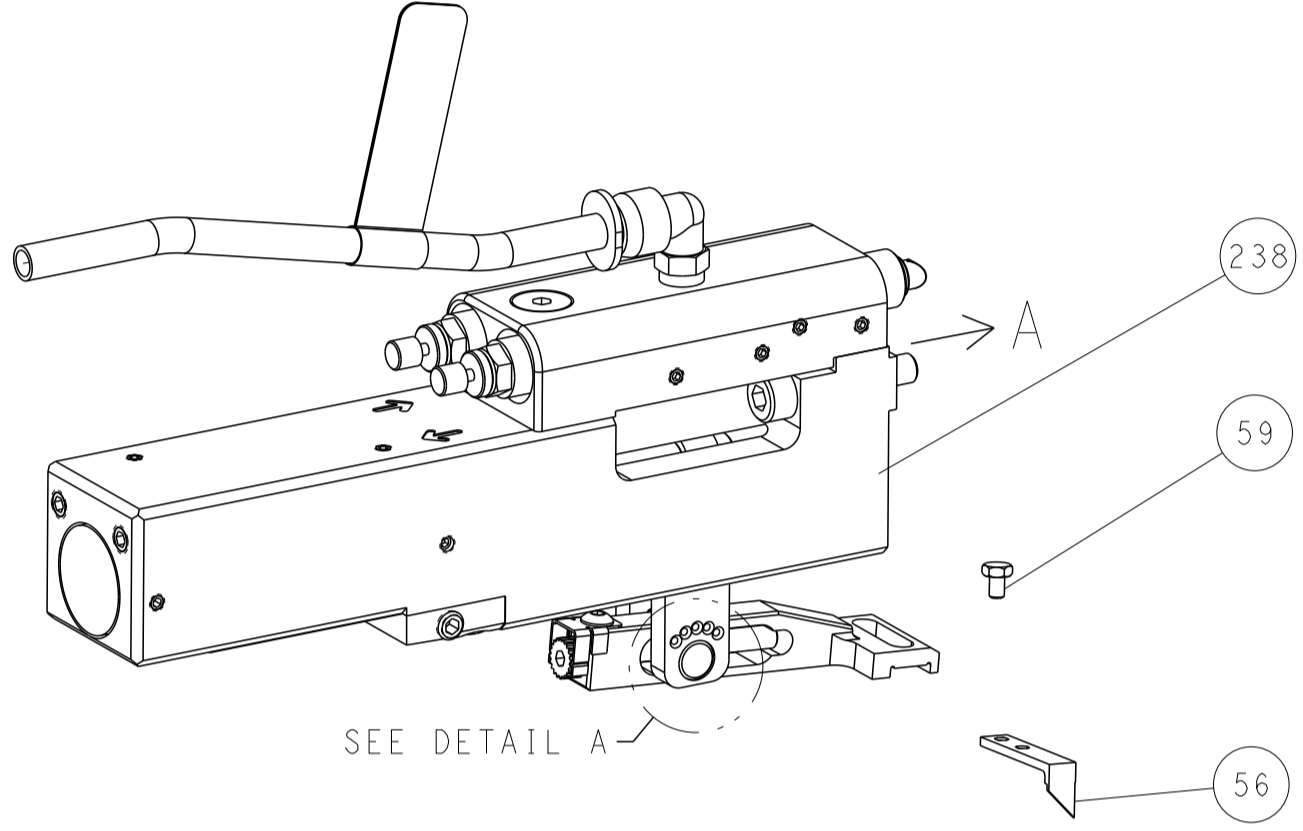
| ITEM NO | PART NO | DESCRIPTION |
|---------|---------|-------------|
| -77     | -22     | -21         |

| LOC | DIST | REV | DESCRIPTION | DATE | OWN | APVD |
|-----|------|-----|-------------|------|-----|------|
| A   | 66   | -   | SEE SHEET 1 | -    | -   | -    |

# FEED TYPE MECHANICAL



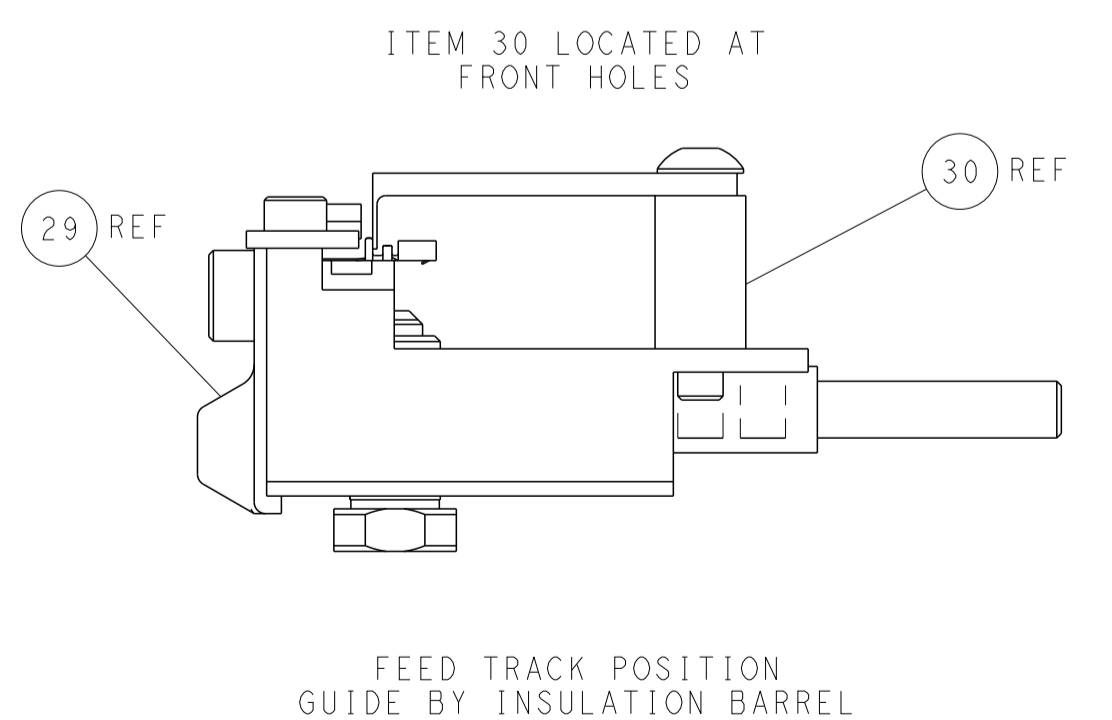
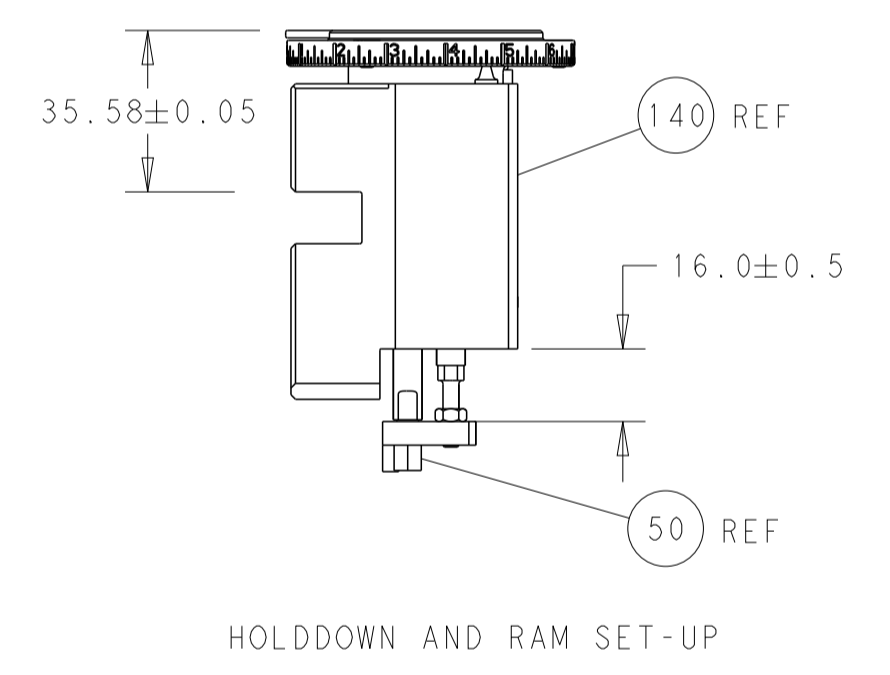
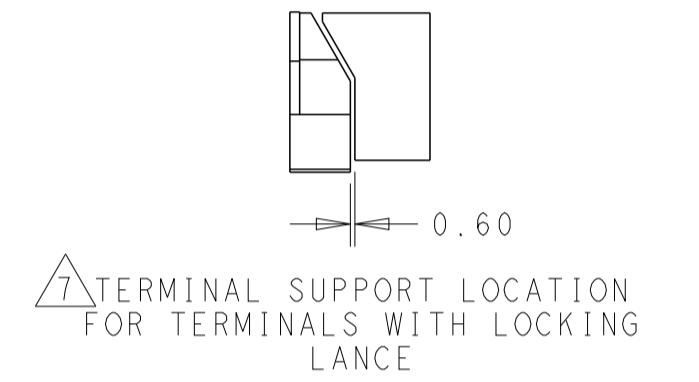
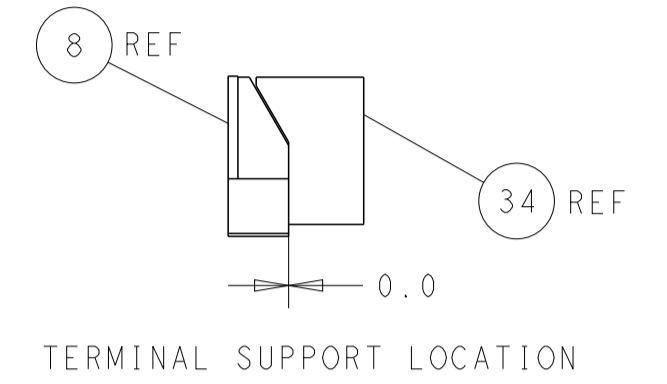
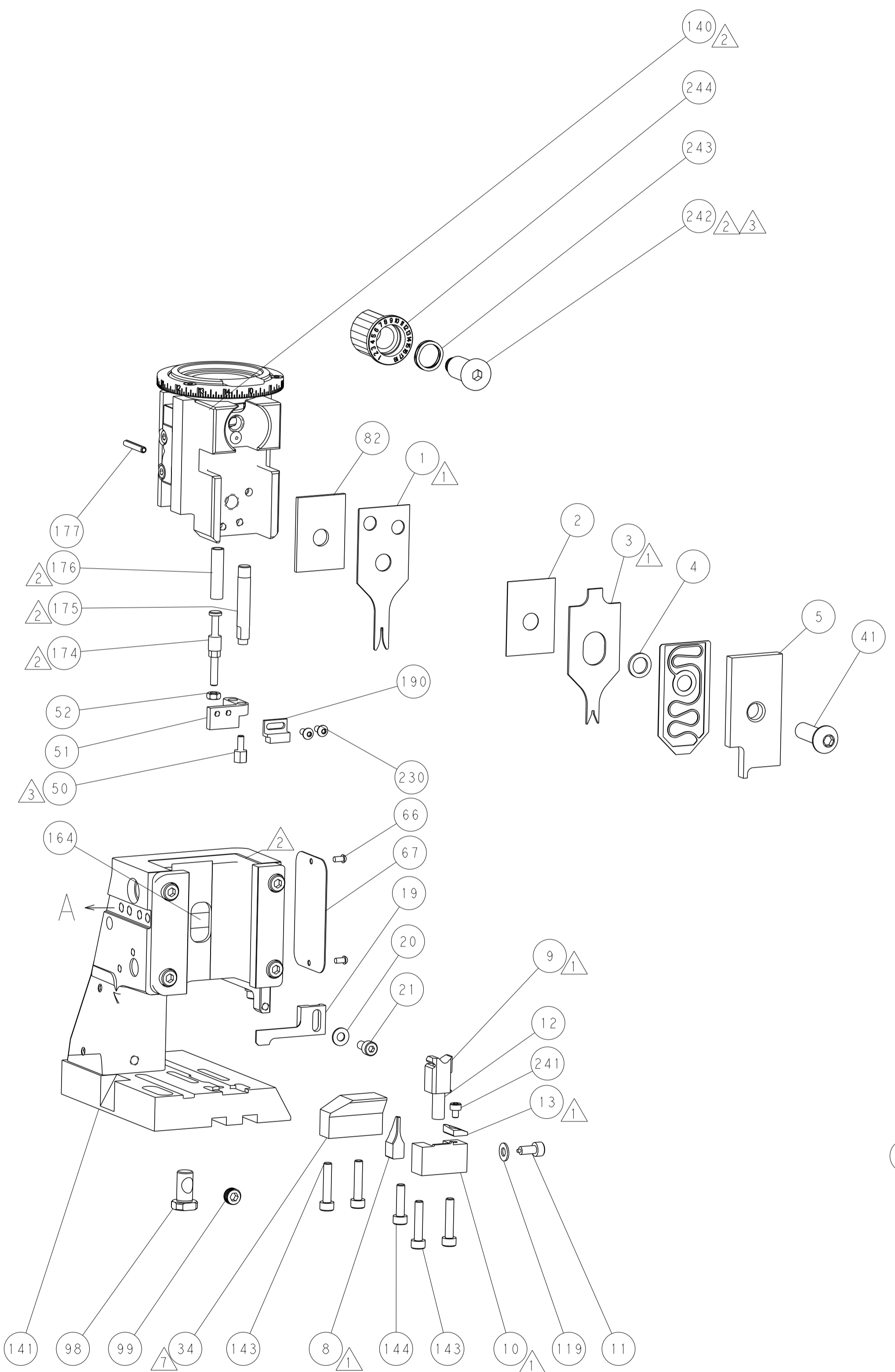
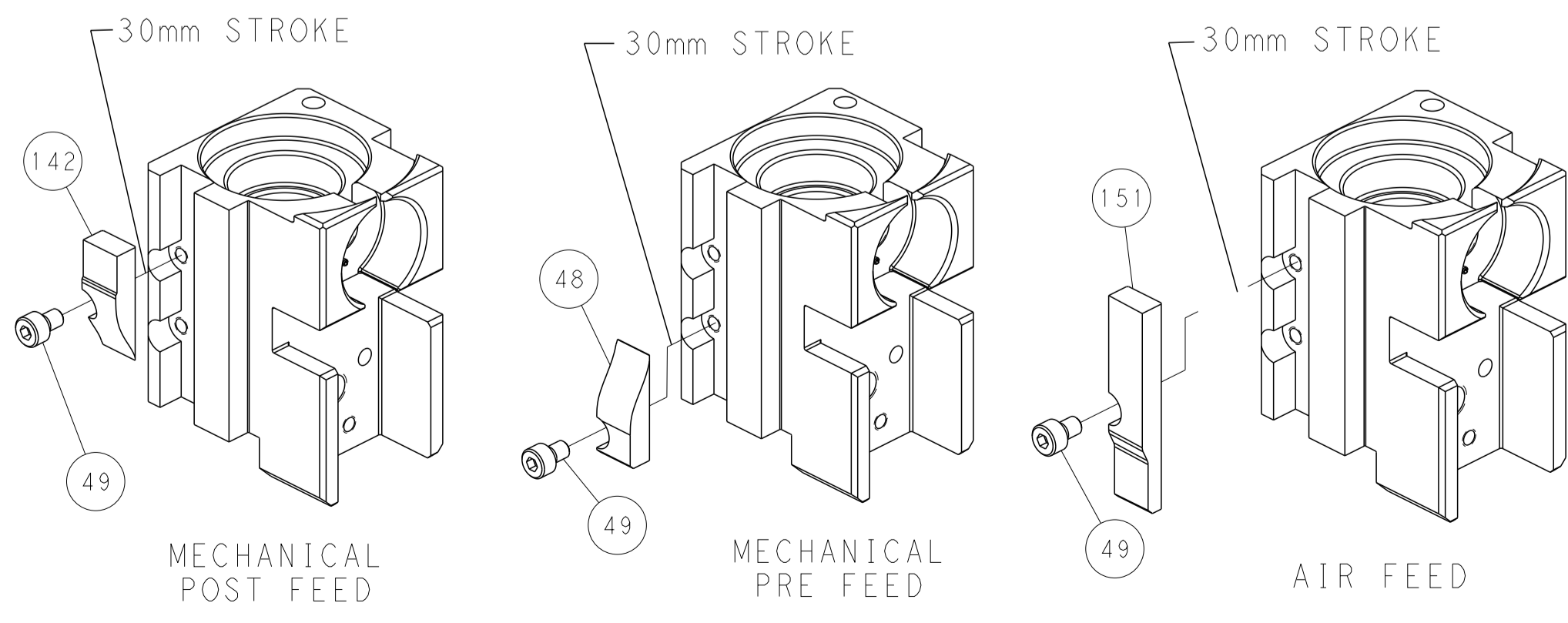
## PNEUMATIC



## FEED SPRING SETTING POSITION (SHOWN FROM REAR SIDE)



# CAM POSITIONS



**PACIFIC VERSION**  
 Shown on sheets 3 of 4 & 4 of 4  
 (Atlantic version shown on sheets 1 of 4 & 2 of 4)

|                       |  |   |  |  |  |   |  |
|-----------------------|--|---|--|--|--|---|--|
| DIMENSIONS:<br>mm<br> |  | TOLERANCES UNLESS OTHERWISE SPECIFIED:<br>0 PLC ±<br>1 PLC ±<br>2 PLC ±<br>3 PLC ±<br>4 PLC ±<br>ANGLES ±<br>FINISH |  | DWN X_ZHAO 11MAY2012<br>CHK T_ELBIN 11MAY2012<br>APVD S_XI 11MAY2012<br>PRODUCT SPEC<br>APPLICATION SPEC<br>WEIGHT<br>Customer Accessible Production Drawing |  | NAME<br>Ocean Side Feed Applicator<br>SIZE CAGE CODE DRAWING NO<br>A1 00779 C=2151430<br>SCALE 1:2 SHEET 4 OF 4 REV G |  |
| MATERIAL:             |  |   |  | RESTRICTED TO:   |  |   |  |

## X-ON Electronics

Largest Supplier of Electrical and Electronic Components

*Click to view similar products for [Crimpers / Crimping Tools](#) category:*

*Click to view products by [TE Connectivity](#) manufacturer:*

Other Similar products are found below :

[010-0096](#) [CT150-2-D02](#) [CT150-6-RH07](#) [622-6441LF](#) [63484-3701](#) [63800-8355](#) [63819-1875](#) [63819-2875](#) [63819-4475](#) [63827-5375](#) [64005-0175](#) [662903-2](#) [690602-6](#) [7-23471-1](#) [734611-1](#) [762637-1](#) [811242-5](#) [91362-1](#) [1-21002-3](#) [1-21002-7](#) [12118040](#) [12085270](#) [12387119-6](#) [1-22548-4](#) [125442-1](#) [DCE.91.073.BVC](#) [DCE.91.090.3MVM](#) [DCE.91.162.BVCM](#) [DCE.91.202.BVCM](#) [1310G2](#) [1333249-1](#) [1-354003-0](#) [1338301-1](#) [DF62/RE-MD](#) [142321](#) [AP105-DF11-2428S\(64\)](#) [1456088-1](#) [1-45804-6](#) [15397700](#) [AX100749](#) [1-59619-7](#) [1596970-1](#) [1-59619-8](#) [1901238-2](#) [2119581-1](#) [K761](#) [KTH-1079](#) [KTH-2022](#) [KTH-2260](#) [904139-1](#)