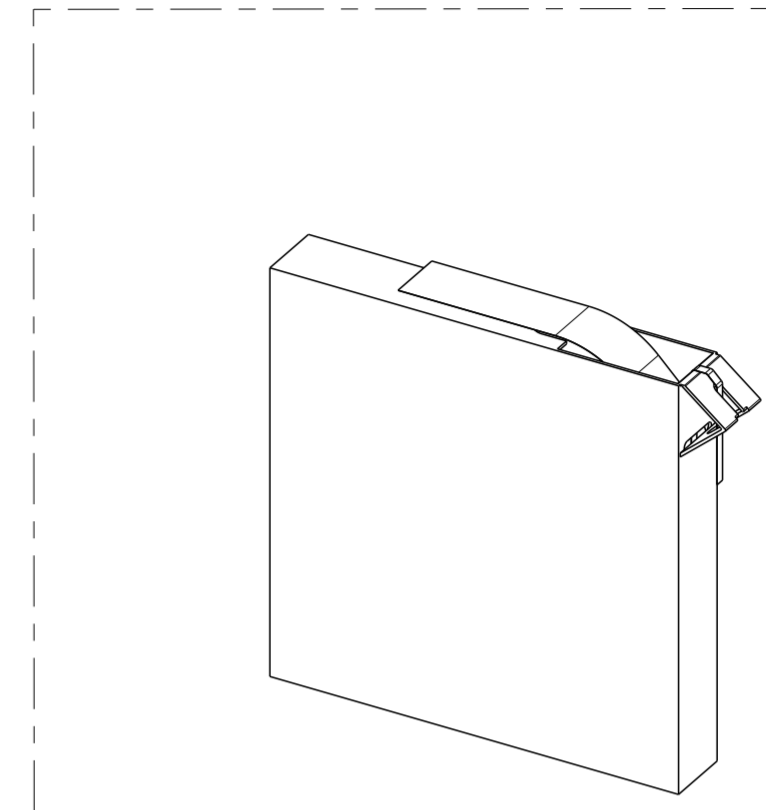
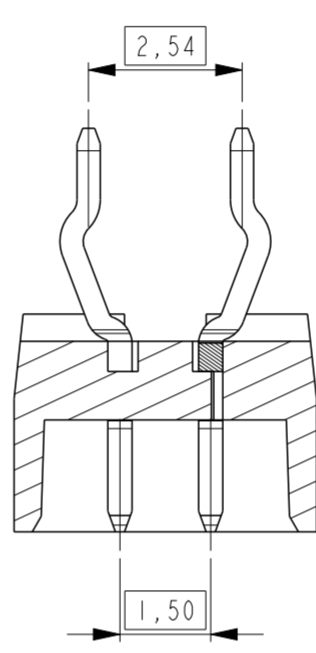
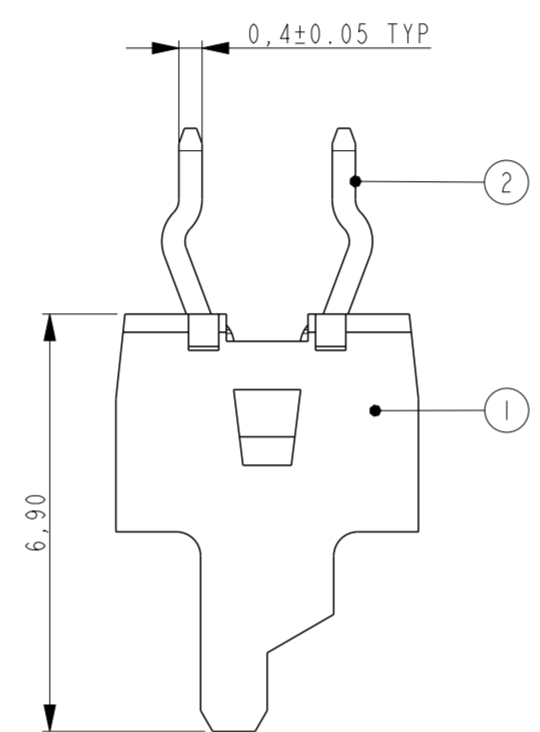
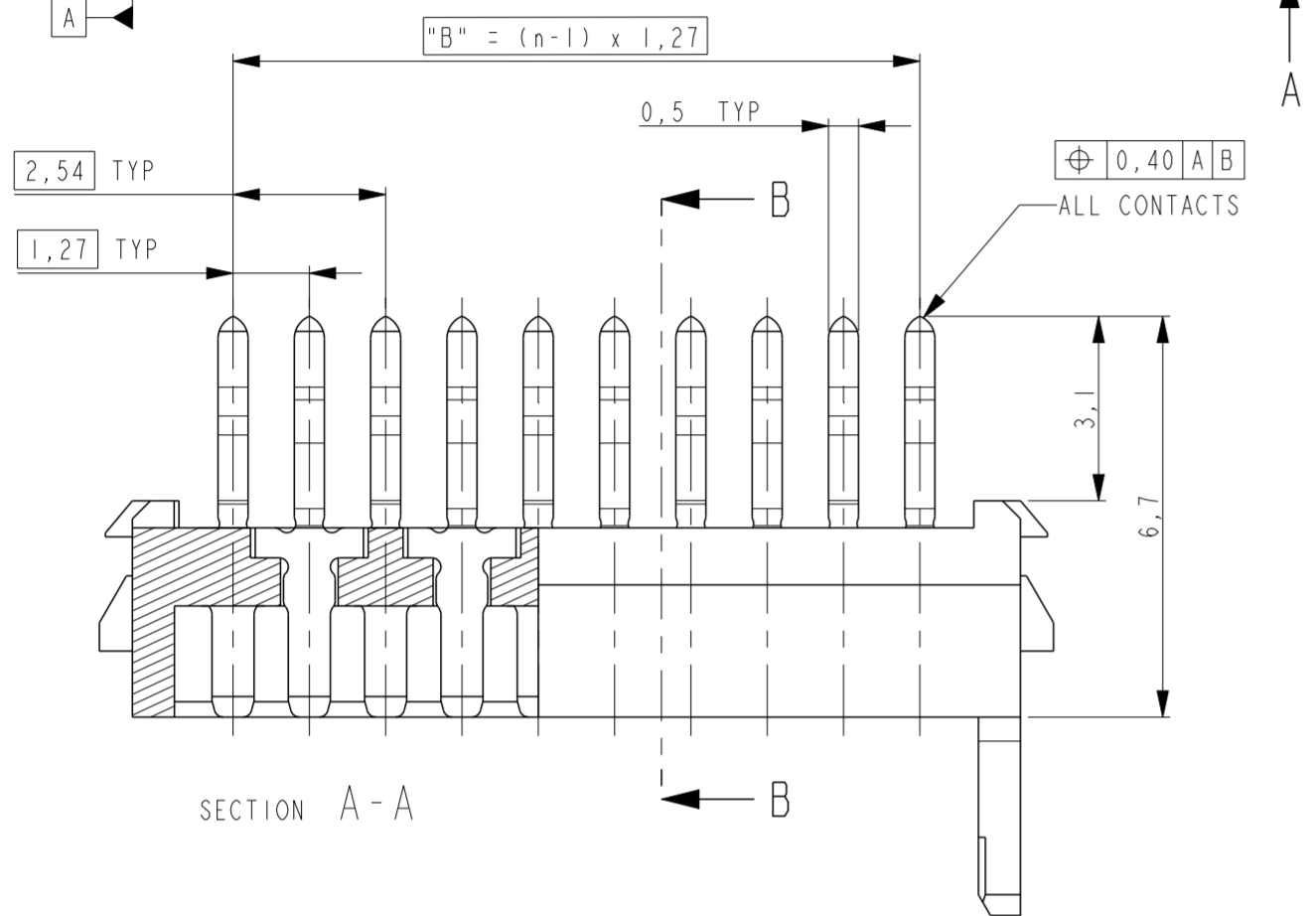
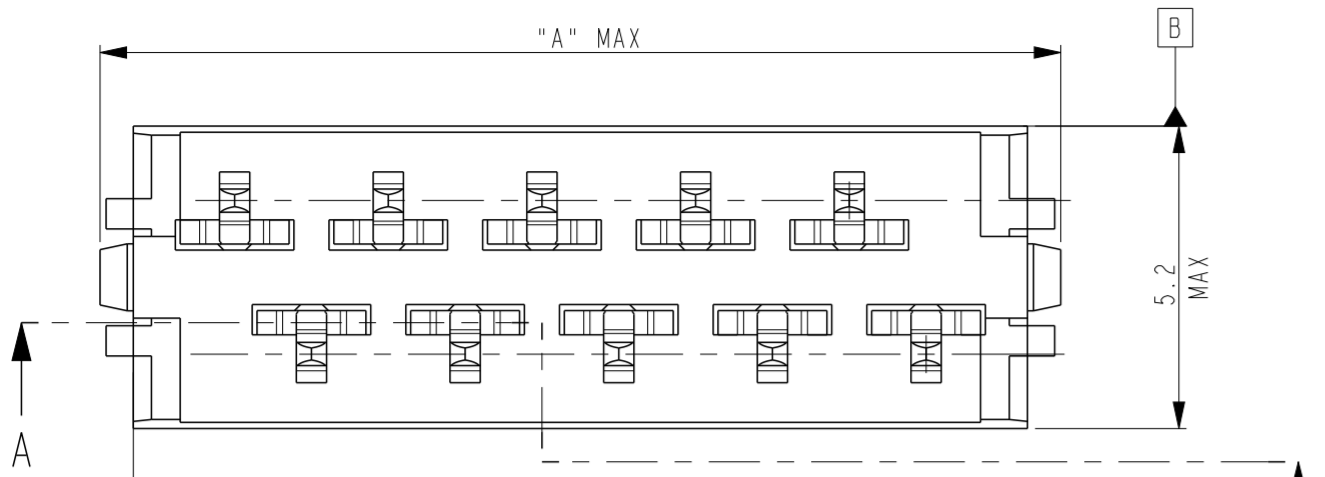


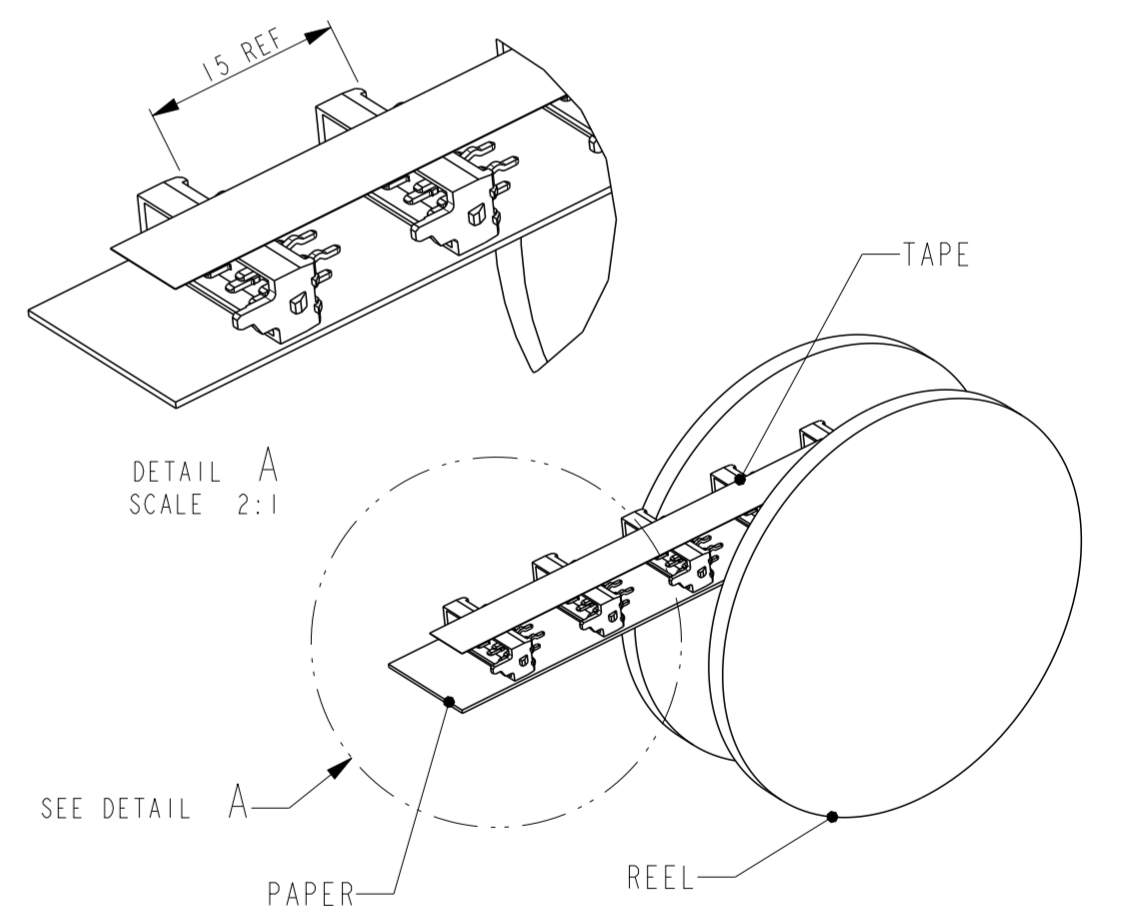
THIS DRAWING IS UNPUBLISHED. RELEASED FOR PUBLICATION  
 © COPYRIGHT - ALL RIGHTS RESERVED.

REVISIONS							
LOC	DIST	P	LTR	DESCRIPTION	DATE	DWN	APVD
H	-	R		CONTACT MATERIAL CHANGED TO PHOSPHOR BRONZE	13APR2018	SS	PS

PART NUMBER REEL PACKAGING	PART NUMBER BOX PACKAGING	NUMBER OF POSITIONS	"A" MAX	"B"
0-215464-4	7-215464-4	4	8.3	3.81
0-215464-6	7-215464-6	6	10.9	6.35
0-215464-8	7-215464-8	8	13.4	8.89
1-215464-0	8-215464-0	10	15.9	11.43
1-215464-2	8-215464-2	12	18.5	13.97
1-215464-4	8-215464-4	14	21.0	16.51
1-215464-6	8-215464-6	16	24.0	19.05
1-215464-8	8-215464-8	18	26.1	21.59
2-215464-0	9-215464-0	20	28.6	24.13



SCALE 3:10  
 BOX PACKAGING  
 250 PARTNUMBERS PER BOX  
 FOR ALL PARTNUMBERS.



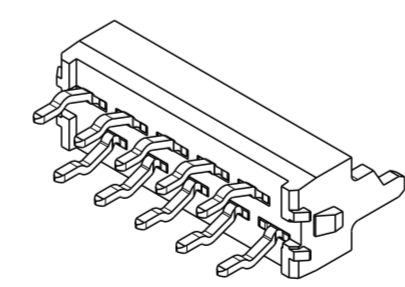
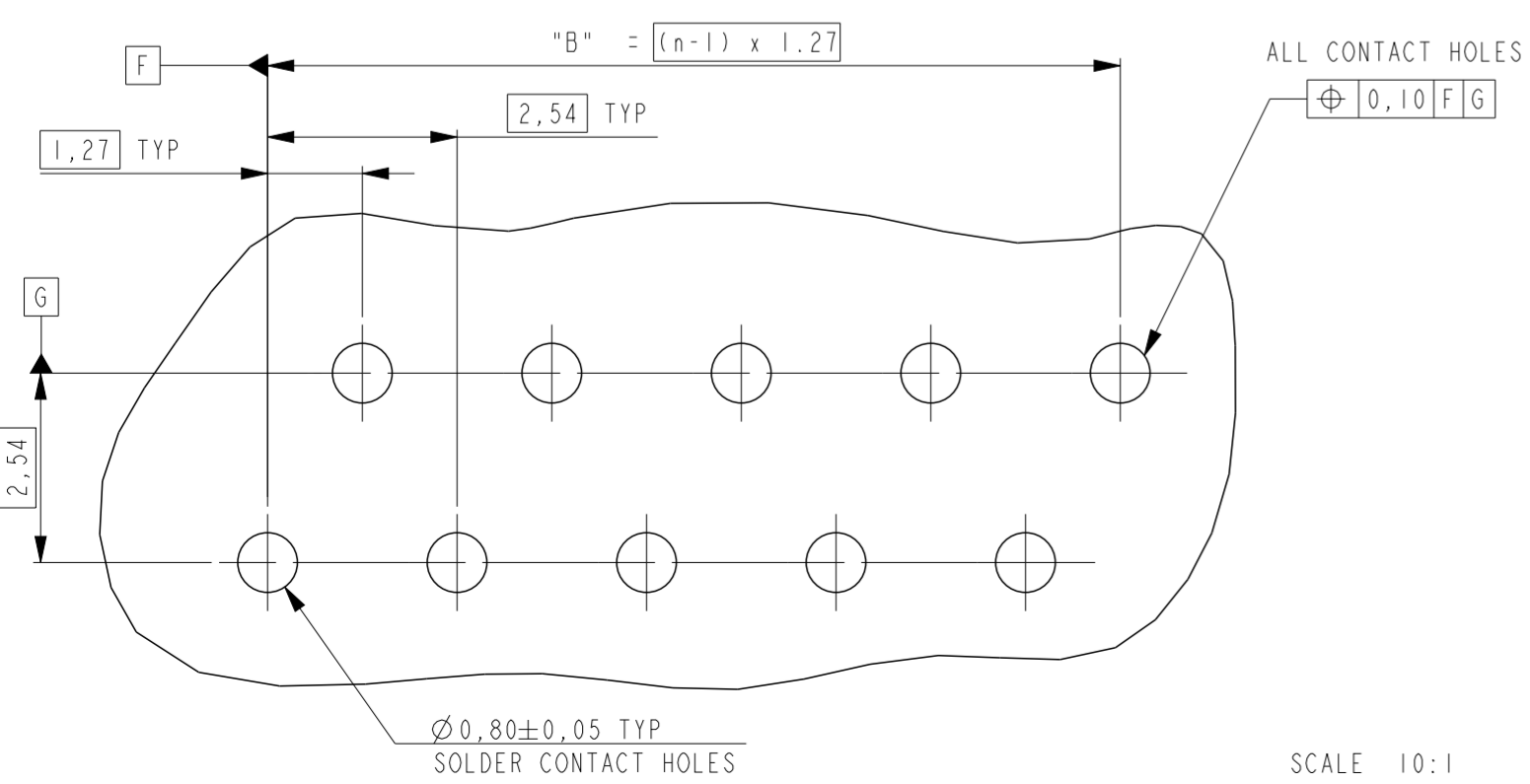
REEL PACKAGING  
 DEREELING DIRECTION AND CONNECTOR POSITION  
 2500 CONNECTORS PER REEL FOR ALL PART NUMBERS

SECTION A-A

SECTION B-B

REFERENCE MATING INTERFACE PATTERN:  
 1.27 STAGGERED PITCH x 1.5 ROW DISTANCE

PC-BOARD HOLE LAYOUT  
 (COMPONENT SIDE OF BOARD SHOWN)



SCALE 3:1

SHOWN IS A 10 POSITION  
 CONNECTOR (1-215464-0).

THIS DRAWING IS A CONTROLLED DOCUMENT.

DIMENSIONS:	TOLERANCES UNLESS OTHERWISE SPECIFIED:
mm	±0.20
0 PLC	±
1 PLC	±
2 PLC	±
3 PLC	±
4 PLC	±
ANGLES	±
FINISH	±
MATERIAL	SEE TABLE
	SEE TABLE

2	MALE CONTACT	PHOSPHOR BRONZE	3-5 µm Sn over 0.5 µm min Ni
1	HOUSING	G.F POLYESTER, PBT	RED
ITEM NO.	DESCRIPTION	MATERIAL	FINISH / COLOR
DWN	15-04-1992		
CHK	J. VAN DREUMEL		
APVD	H. KOKKEN		
PRODUCT SPEC	108-19052	NAME	Micro-MaTch MALE-ON-BOARD LONG POST, POLARIZED
APPLICATION SPEC		SIZE	A2
WEIGHT		CAGE CODE	00779
CUSTOMER DRAWING		DRAWING NO	G-215464
		RESTRICTED TO	
		SCALE	8:1
		SHEET	1 OF 1
		REV	R

## X-ON Electronics

Largest Supplier of Electrical and Electronic Components

*Click to view similar products for [Headers & Wire Housings](#) category:*

*Click to view products by [TE Connectivity](#) manufacturer:*

Other Similar products are found below :

[892-18-020-10-001101](#) [58102-G61-06LF](#) [582553-1](#) [0009485154](#) [009176003701906](#) [0050291907](#) [LY20-4P-DT1-P1E-BR](#) [02.125.8002.8](#)  
[609-3404](#) [61062-3](#) [61082-181009](#) [622-3653LF](#) [63453-116](#) [636-1030](#) [636-1427](#) [636-3427](#) [636-4007](#) [641938-9](#) [641991-4](#) [644827-2](#) [65817-](#)  
[010LF](#) [65817-015LF](#) [65863-015LF](#) [66207-023LF](#) [67095-007LF](#) [67601157](#) [68645-018](#) [68648-049](#) [70.362.1628.0](#) [70-4210](#) [70-4226B](#) [70-](#)  
[4853B](#) [707-5020](#) [707-5028](#) [71.350.2428.0](#) [71918-208LF](#) [71961-016LF](#) [733-134](#) [733-162](#) [754199-000](#) [760-3052](#) [787-8014-00](#) [79531-3000](#)  
[FCN-360C032-B](#) [FCN-367T-T012/H](#) [FCN-723D010/2](#) [80.063.4001.1](#) [800-90-001-10-001000](#) [800-90-010-10-002000](#) [801-43-002-10-013000](#)