

THIS DRAWING IS UNPUBLISHED.

RELEASED FOR PUBLICATION

© COPYRIGHT -

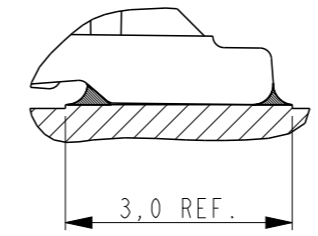
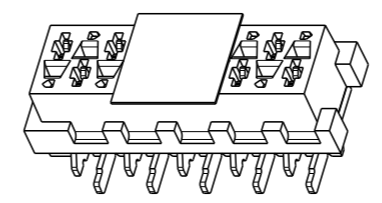
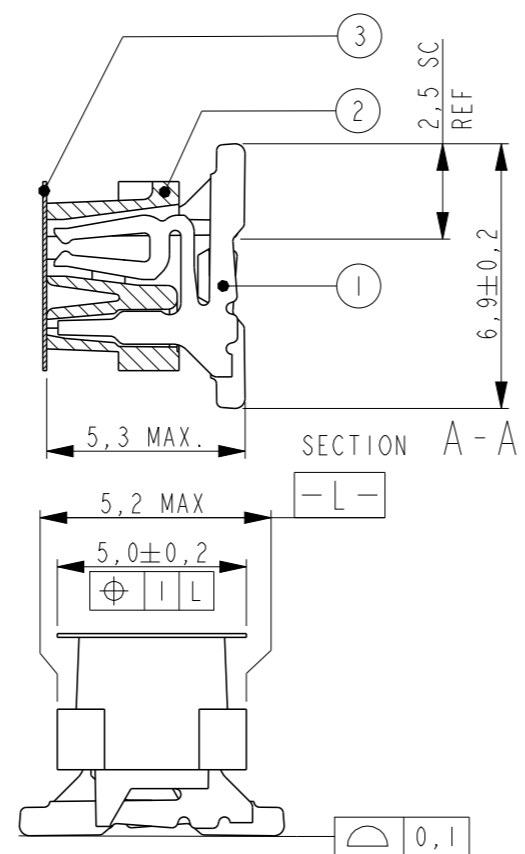
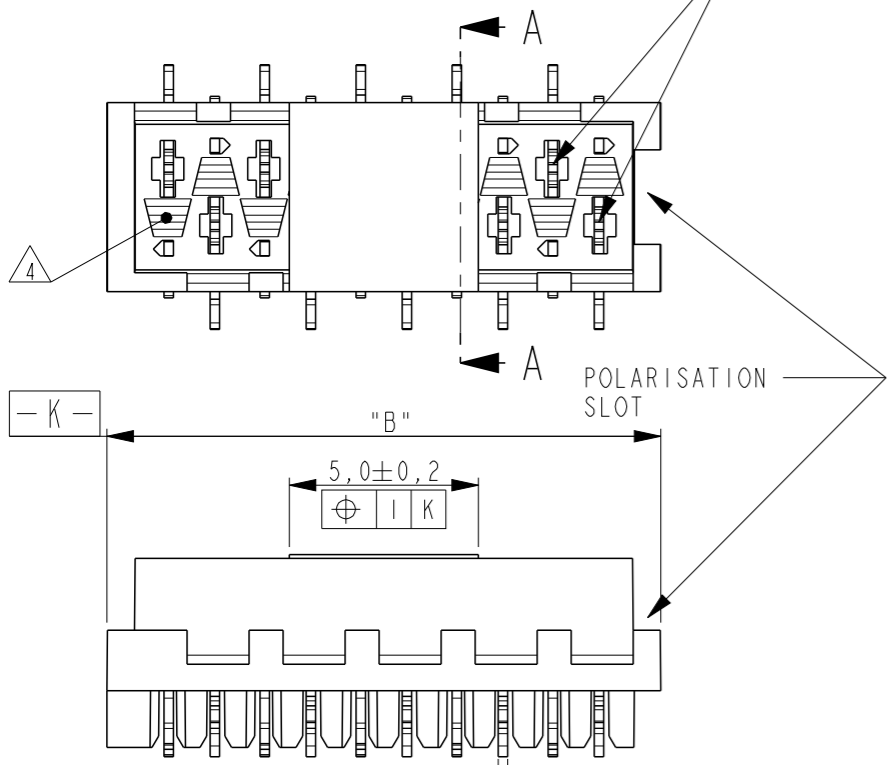
ALL RIGHTS RESERVED.

| LOC | DIST |
|-----|------|
| -   | -    |

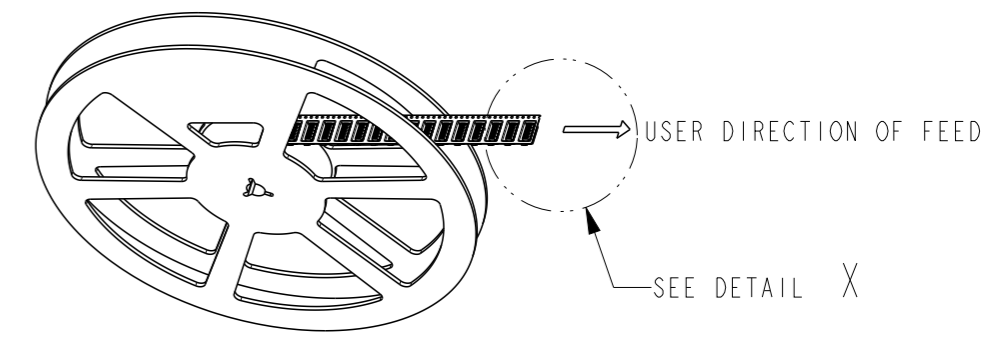
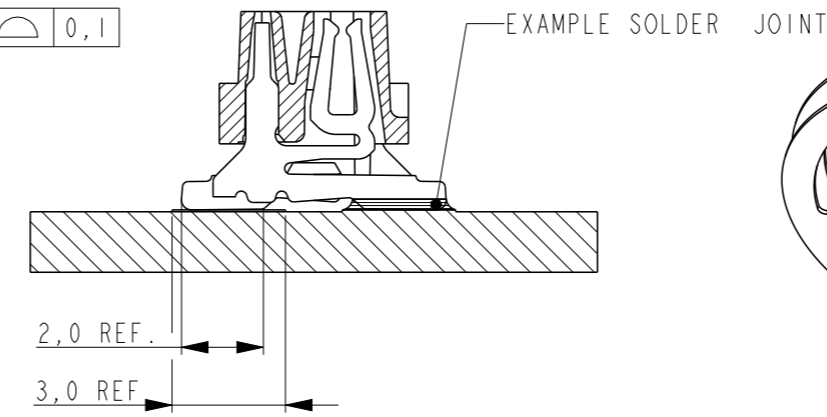
REVISIONS

| P | LTR | DESCRIPTION     | DATE      | DWN | APVD |
|---|-----|-----------------|-----------|-----|------|
| A |     | INITIAL RELEASE | 08AUG2014 | PS  | JK   |

REFERENCE MATING INTERFACE PATTERN:  
1,27 STAGGERED PITCH x 1,5 ROW-DISTANCE.

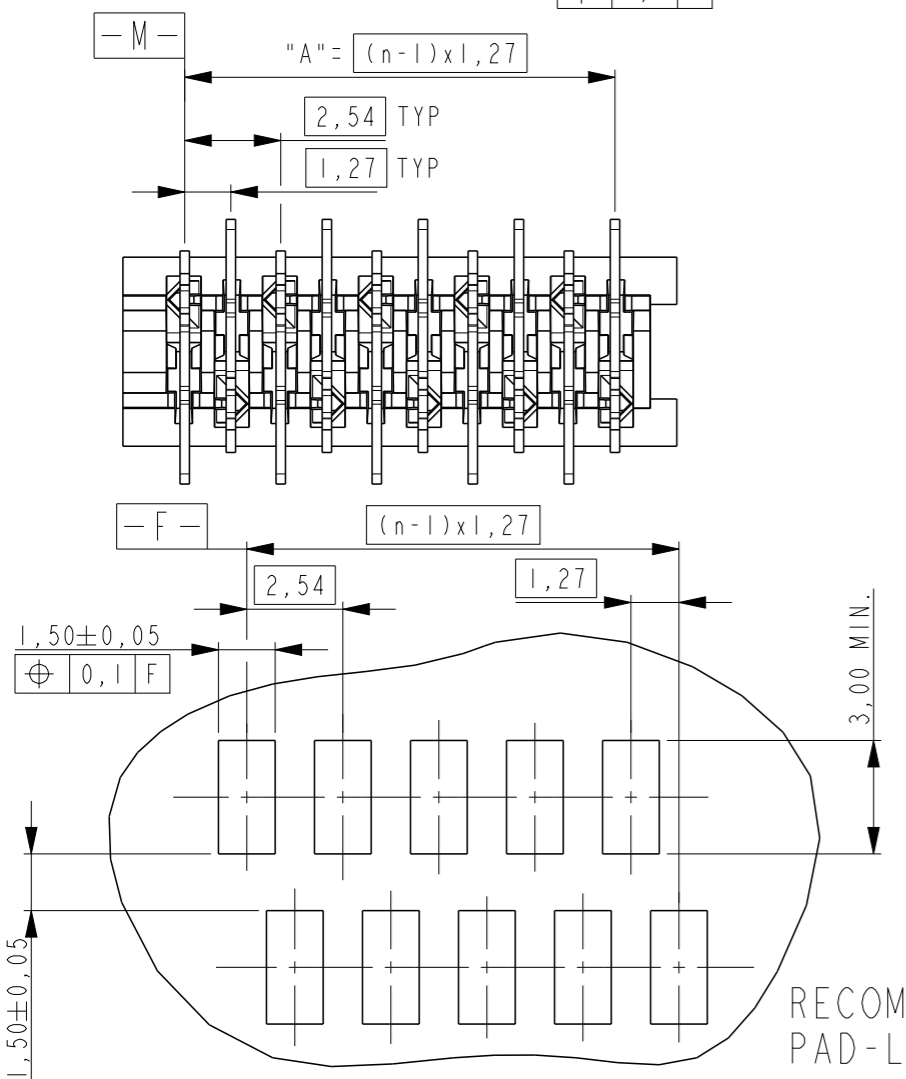
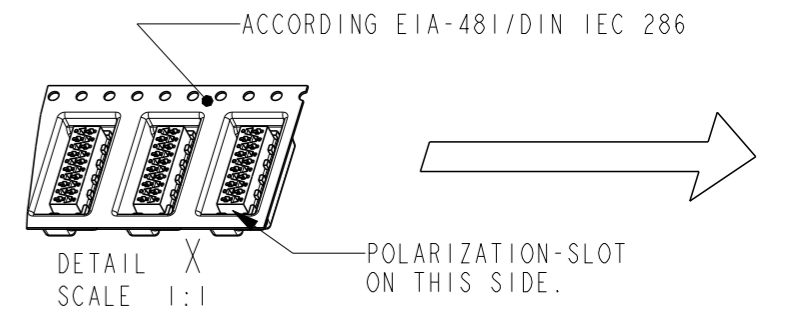


| △1 PARTNUMBER VAC. TAPE. | △3 PARTNUMBER | NO. OF POS. "n" | "A"   | "B" MAX. |
|--------------------------|---------------|-----------------|-------|----------|
| 7-2178711-4              | 2178711-4     | 4               | 3,81  | 7,1      |
| 7-2178711-6              | 2178711-6     | 6               | 6,35  | 9,7      |
| 7-2178711-8              | 2178711-8     | 8               | 8,89  | 12,2     |
| 8-2178711-0              | 1-2178711-0   | 10              | 11,43 | 14,7     |
| 8-2178711-2              | 1-2178711-2   | 12              | 13,97 | 17,3     |
| 8-2178711-4              | 1-2178711-4   | 14              | 16,51 | 19,8     |
| 8-2178711-6              | 1-2178711-6   | 16              | 19,05 | 22,4     |
| 8-2178711-8              | 1-2178711-8   | 18              | 21,59 | 24,9     |
| 9-2178711-0              | 2-2178711-0   | 20              | 24,13 | 27,5     |



NOTES:

- △1 TAPE FOR VACUUM P&P ONLY FOR DASHNUMBERS 7- /8- /9-
- 2 FOR PACKAGING SEE SHEET 2 OF 2
- △3 WITHOUT VACUUM TAPE.
- △4 CORING-OUTS FOR MANUFACTURING PURPOSE ONLY. SHAPE MAY VARY, BUT IS NOT FUNCTIONAL FOR THE APPLICATION.
- 5 SHOWN IS A 10 POSITION CONNECTOR.



| ITEM NO. | COMPONENT DESCRIPTION | MATERIAL         | FINISH / COLOR                    |
|----------|-----------------------|------------------|-----------------------------------|
| 3        | PICK & PLACE TAPE     | KAPTON           | AMBER TRANSPARENT                 |
| 2        | FEMALE HOUSING        | POLYAMIDE 4/6,GF | BLACK                             |
| 1        | FEMALE CONTACT        | TIN BRASS        | 3.0 - 5.0µm TIN OVER 0.5µm NICKEL |

THIS DRAWING IS A CONTROLLED DOCUMENT.

DWN 30JUL2014 PRASHANTH  
CHK 05AUG2014 PRASHANTH  
APVD 05AUG2014 JAYANTH KUMAR

TE Connectivity

Micro-MaTch VALUE LINE  
FEMALE-ON-BOARD, TOP ENTRY,  
SMD, CONNECTOR

PRODUCT SPEC 108-32087  
APPLICATION SPEC 114-13318

SIZE A3 CAGE CODE 00779 DRAWING NO C-2178711

RESTRICTED TO -

CUSTOMER DRAWING SCALE 5:1 SHEET 1 OF 2 REV A

THIS DRAWING IS UNPUBLISHED.

RELEASED FOR PUBLICATION

© COPYRIGHT -

ALL RIGHTS RESERVED.

LOC - DIST -

REVISIONS

P LTR

DESCRIPTION

DATE

DWN

APVD

SEE SHEET 1

TAPE WIDTH 24 mm

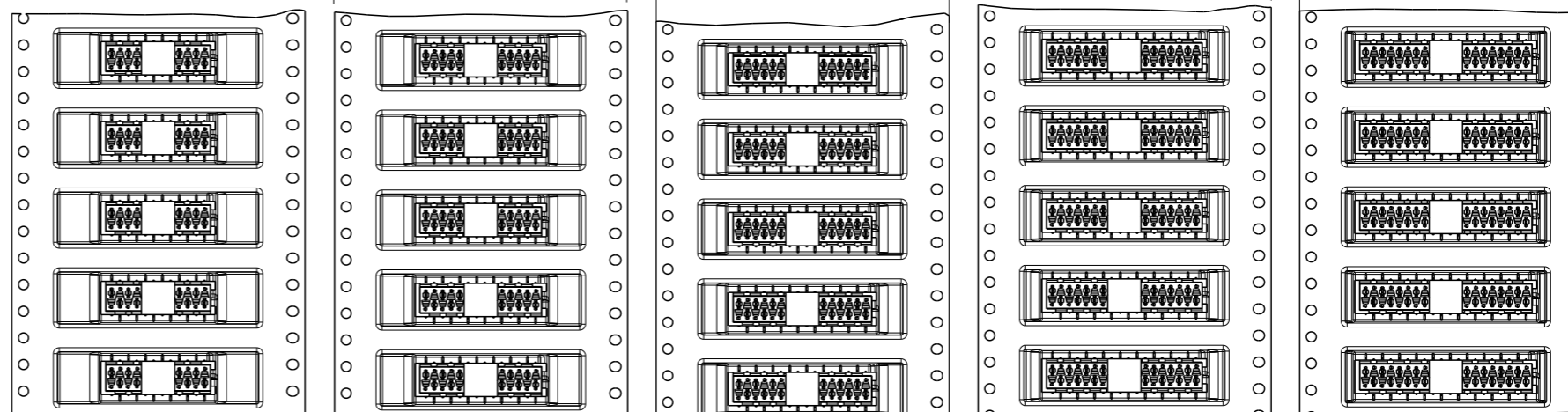
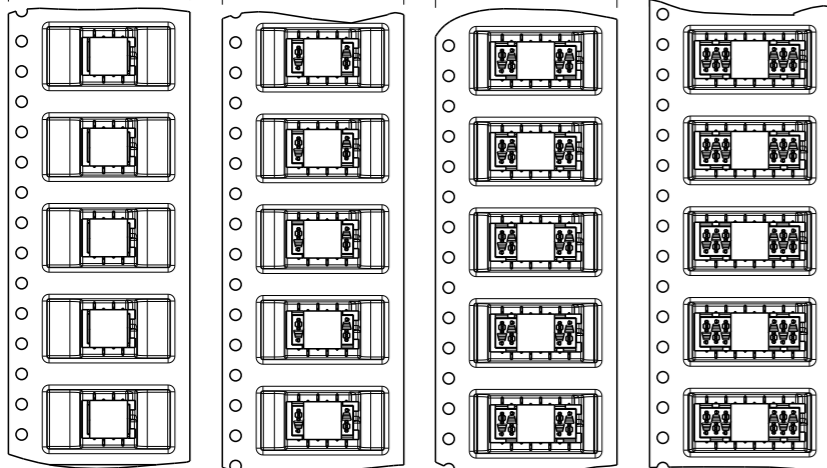
TAPE WIDTH 44 mm

TAPE WIDTH 44 mm

TAPE WIDTH 44 mm

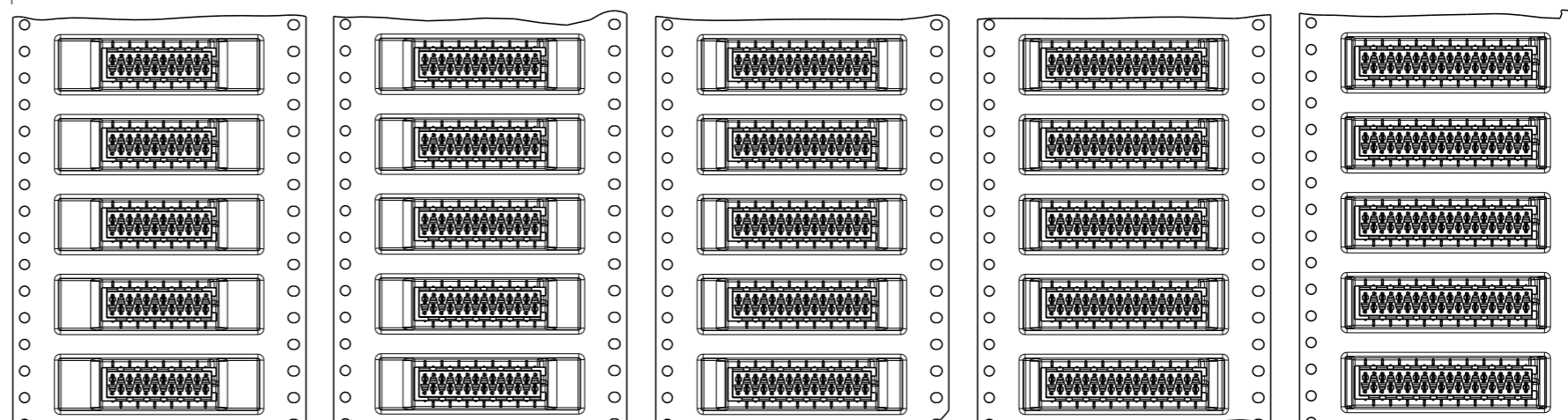
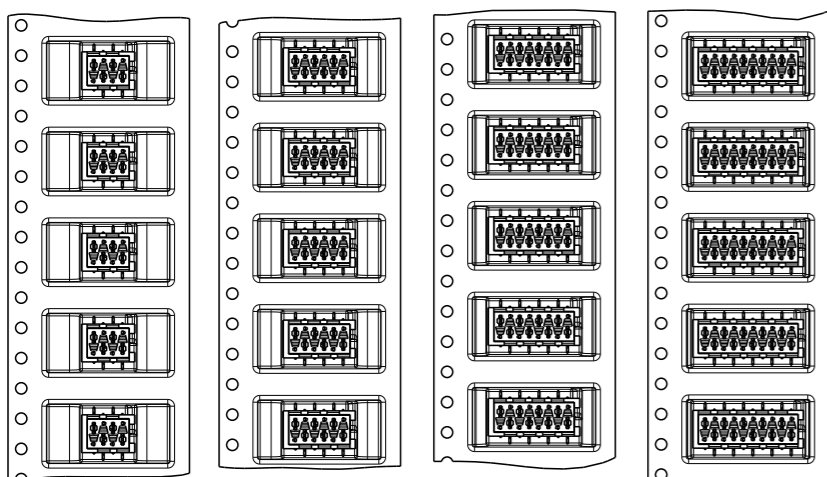
TAPE WIDTH 44 mm

TAPE WIDTH 44 mm



|             |             |             |             |
|-------------|-------------|-------------|-------------|
| 7-2178711-4 | 7-2178711-6 | 7-2178711-8 | 8-2178711-0 |
| 4 POSITION  | 6 POSITION  | 8 POSITION  | 10 POSITION |
| 2178711-4   | 2178711-6   | 2178711-8   | 1-2178711-0 |

|             |             |             |             |             |
|-------------|-------------|-------------|-------------|-------------|
| 8-2178711-2 | 8-2178711-4 | 8-2178711-6 | 8-2178711-8 | 9-2178711-0 |
| 12 POSITION | 14 POSITION | 16 POSITION | 18 POSITION | 20 POSITION |
| 1-2178711-2 | 1-2178711-4 | 1-2178711-6 | 1-2178711-8 | 2-2178711-0 |



THIS DRAWING IS A CONTROLLED DOCUMENT.

DWN 25JUL2014 PRASHANTH

CHK 05AUG2014 PRASHANTH

APVD 05AUG2014 JAYANTH KUMAR

PRODUCT SPEC 108-32087

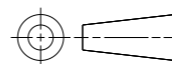
APPLICATION SPEC 114-13318

WEIGHT -

CUSTOMER DRAWING

DIMENSIONS:

mm



TOLERANCES UNLESS OTHERWISE SPECIFIED:

- 0 PLC ±-
- 1 PLC ±0.1
- 2 PLC ±0.05
- 3 PLC ±-
- 4 PLC ±-
- ANGLES ±-
- FINISH -

MATERIAL -



NAME Micro-MaTch VALUE LINE FEMALE-ON-BOARD, TOP ENTRY, SMD, CONNECTOR

SIZE CAGE CODE DRAWING NO RESTRICTED TO

A3 00779 C-2178711

SCALE 1:1 SHEET 2 OF 2 REV A

## X-ON Electronics

Largest Supplier of Electrical and Electronic Components

*Click to view similar products for [Headers & Wire Housings](#) category:*

*Click to view products by [TE Connectivity](#) manufacturer:*

Other Similar products are found below :

[892-18-020-10-001101](#) [58102-G61-06LF](#) [582553-1](#) [0009485154](#) [009176003701906](#) [0050291907](#) [LY20-4P-DT1-P1E-BR](#) [02.125.8002.8](#)  
[609-3404](#) [61062-3](#) [61082-181009](#) [622-3653LF](#) [63453-116](#) [636-1030](#) [636-1427](#) [636-3427](#) [636-4007](#) [641938-9](#) [641991-4](#) [644827-2](#) [65817-010LF](#) [65817-015LF](#) [65863-015LF](#) [66207-023LF](#) [67095-007LF](#) [67601157](#) [68645-018](#) [68648-049](#) [70.362.1628.0](#) [70-4210](#) [70-4226B](#) [70-4853B](#) [707-5020](#) [707-5028](#) [71.350.2428.0](#) [71918-208LF](#) [71961-016LF](#) [733-134](#) [733-162](#) [754199-000](#) [760-3052](#) [787-8014-00](#) [79531-3000](#)  
[FCN-360C032-B](#) [FCN-367T-T012/H](#) [FCN-723D010/2](#) [80.063.4001.1](#) [800-90-001-10-001000](#) [800-90-010-10-002000](#) [801-43-002-10-013000](#)