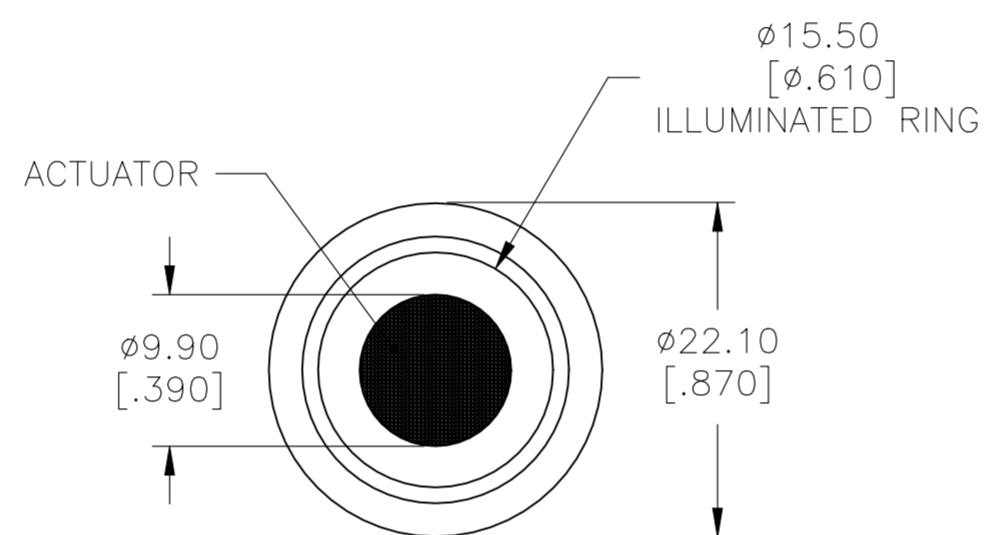
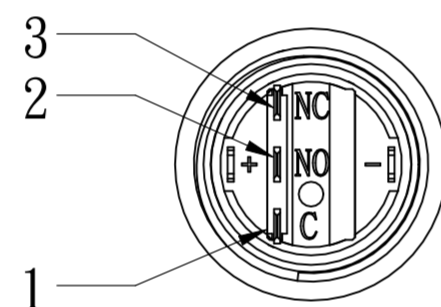
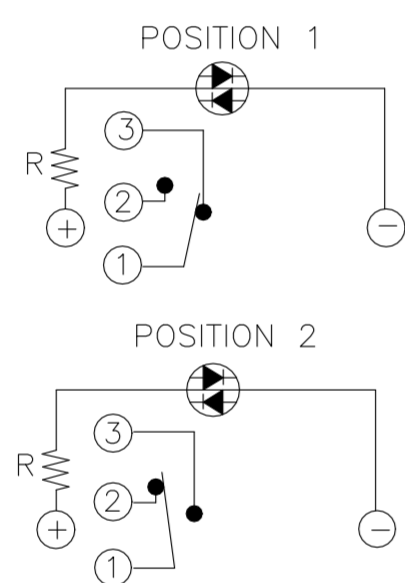
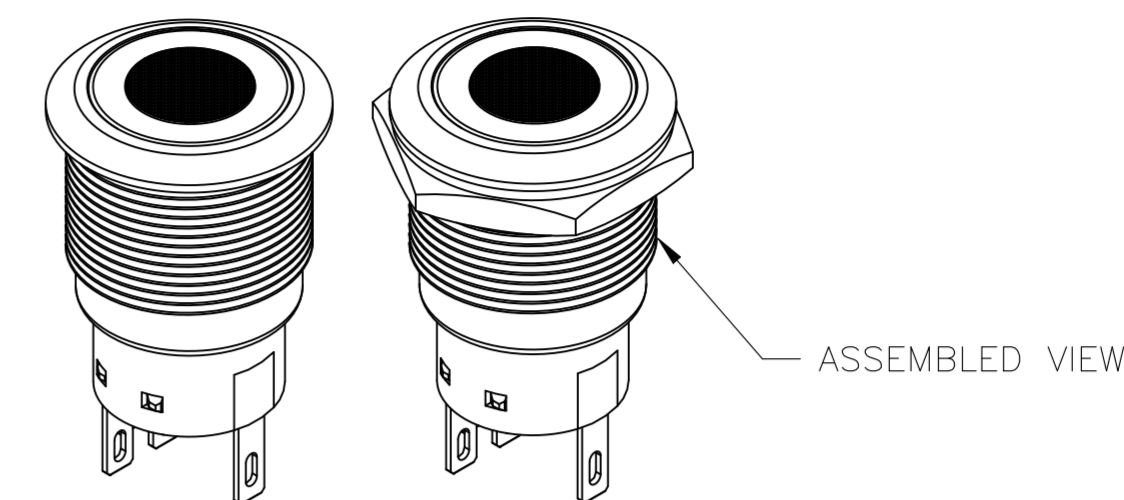
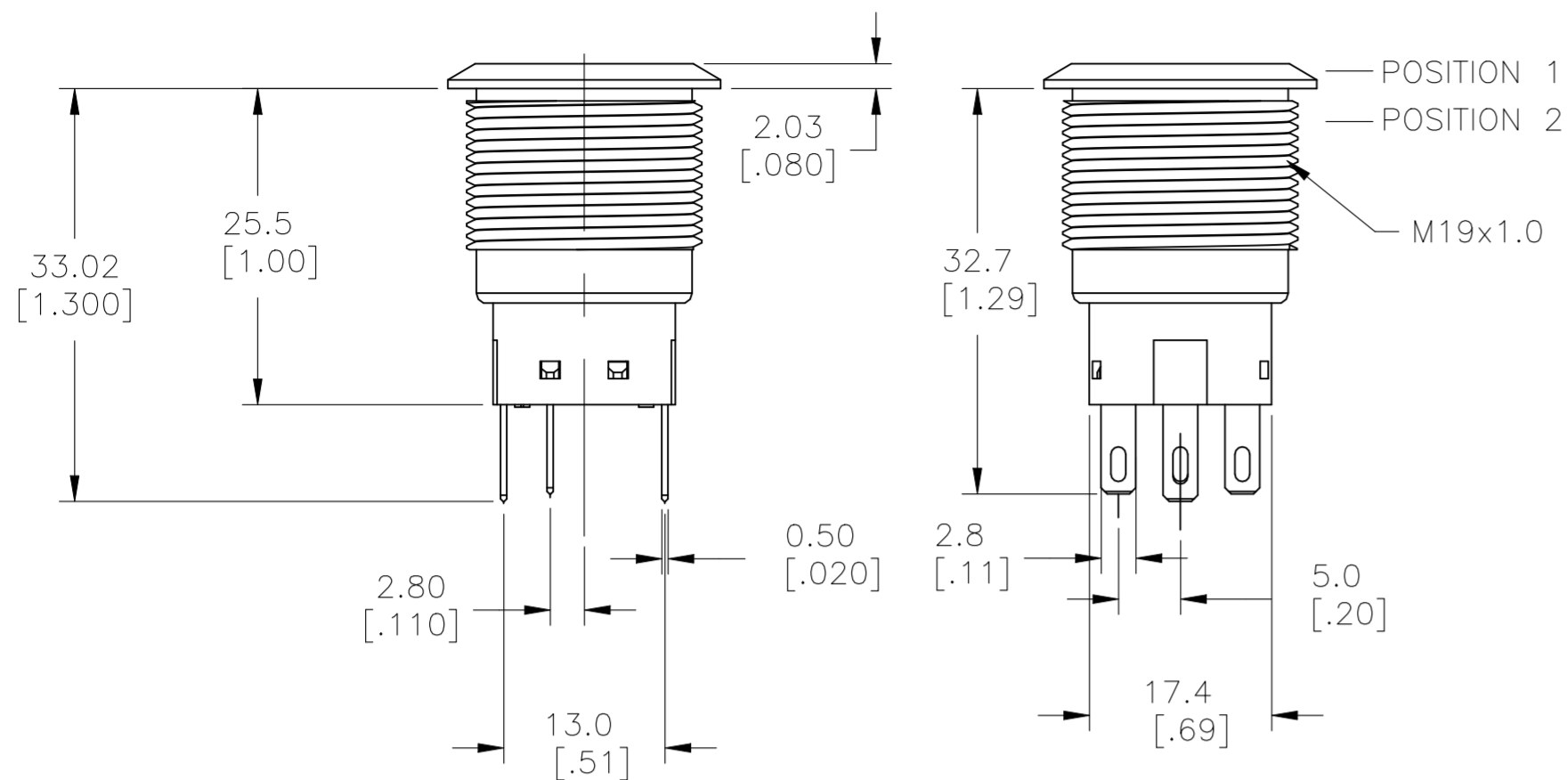


REVISIONS					
P	LTR	DESCRIPTION	DATE	DWN	APVD
A1		REVISED PER ECR-21-006029	02SEP2021	VG	PO



SPECIFICATIONS

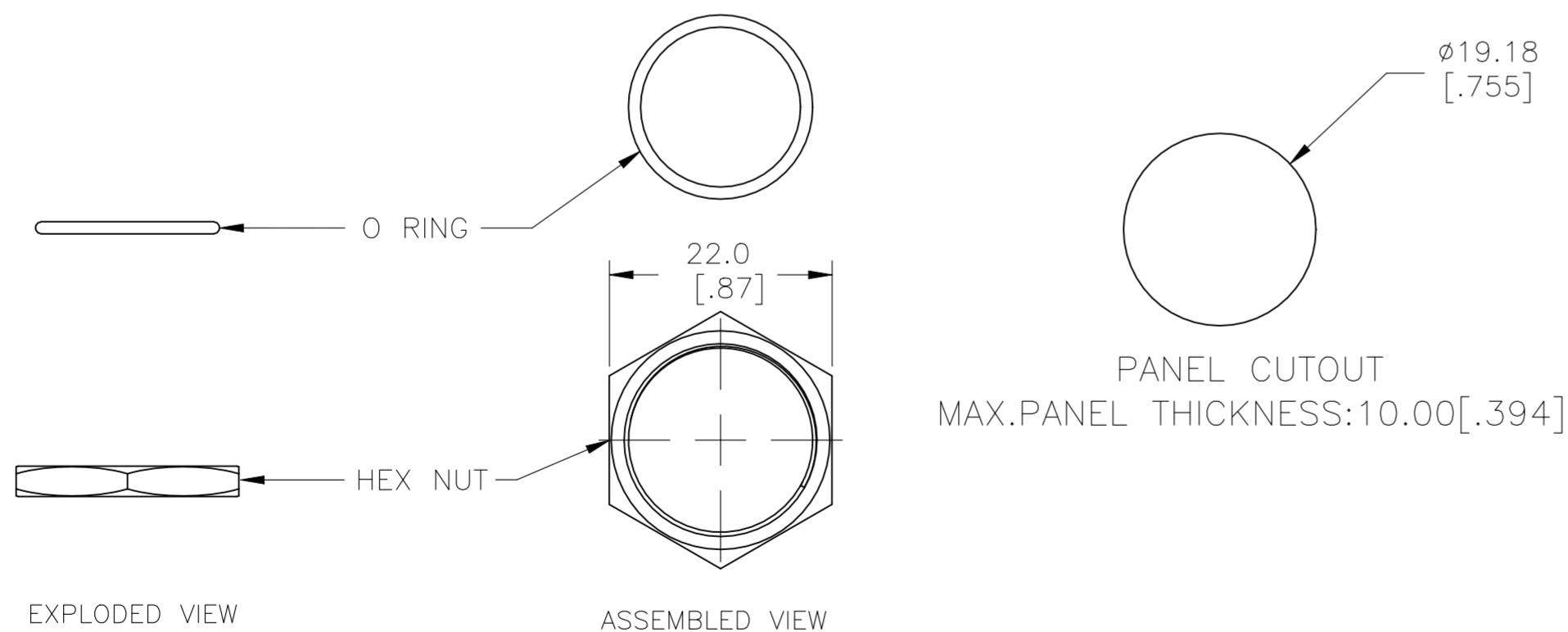
CONTACT RATING: SILVER: 3A @ 250 VAC RESISTIVE
GOLD: 0.4VA @ 20VDC OR PEAK AC
INSULATION RESISTANCE: 1,000M Ω MIN AT 500VDC
DIELECTRIC STRENGTH: 2,000V RMS @ SEA LEVEL
CONTACT RESISTANCE: 50 m Ω MAX @ 1A 12VDC (INITIAL VALUE)
ELECTRICAL LIFECYCLES: 50,000 MAKE AND BREAK CYCLES AT FULL LOAD

ACTUATION FORCE: SP: 2.5 \pm 1 NEWTON, DP: 3.5 \pm 1 NEWTON
ACTUATION TRAVEL: 3.2MM
SEALED PER IP67, IK10 (STAINLESS)
OPERATING TEMPERATURE: -20 $^{\circ}$ C TO +55 $^{\circ}$ C
MECHANICAL LIFECYCLES: MOMENTARY: 1,000,000 CYCLES
LOCKING: 500,000 CYCLES
HARDWARE TORQUE: 5-14 N-m

MATERIALS

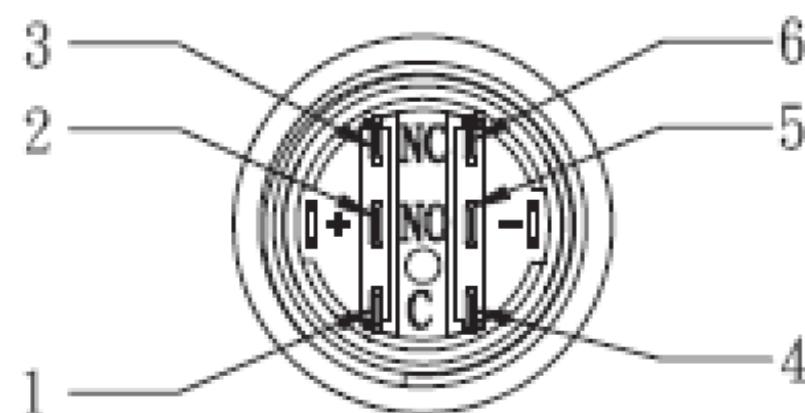
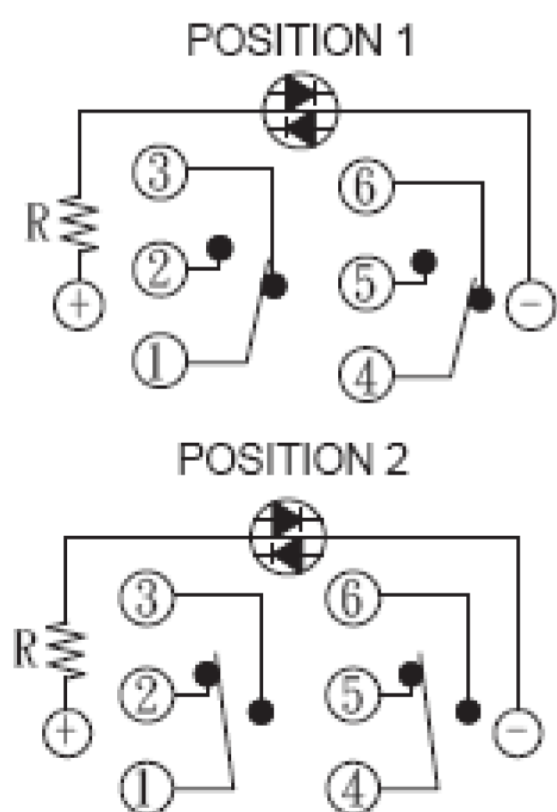
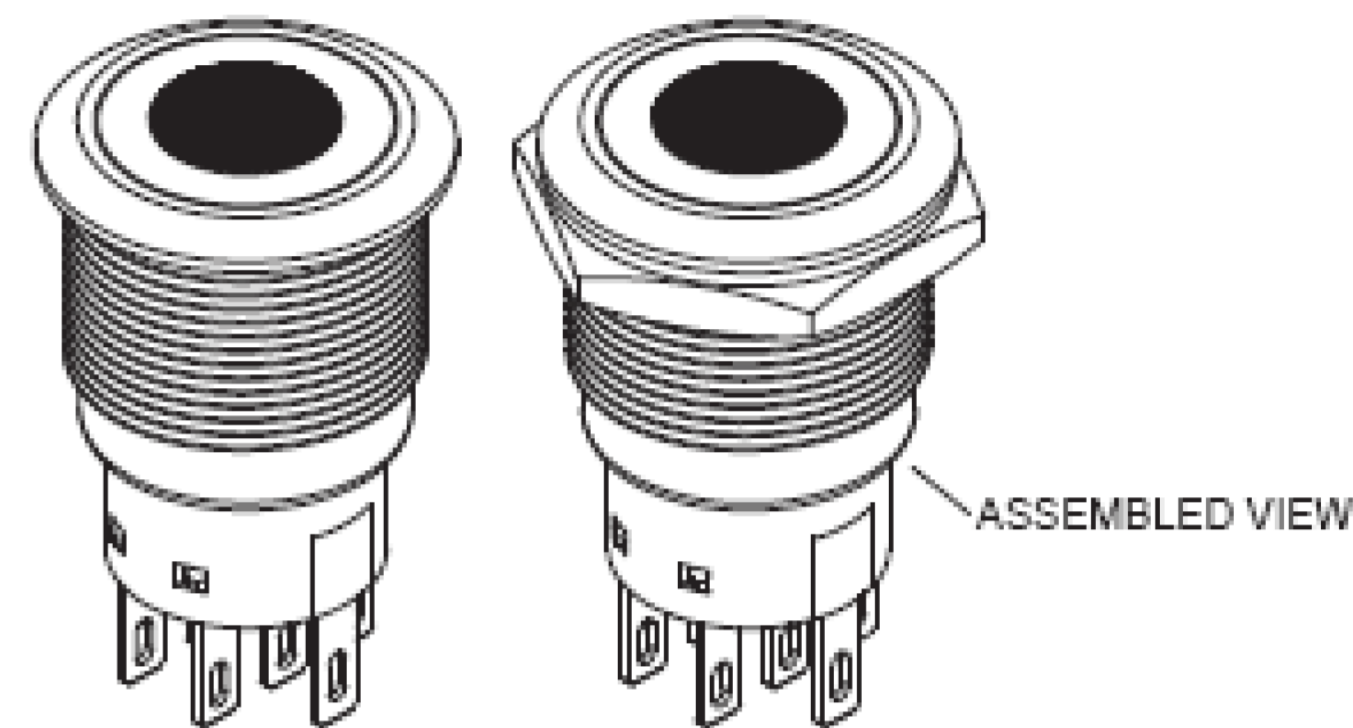
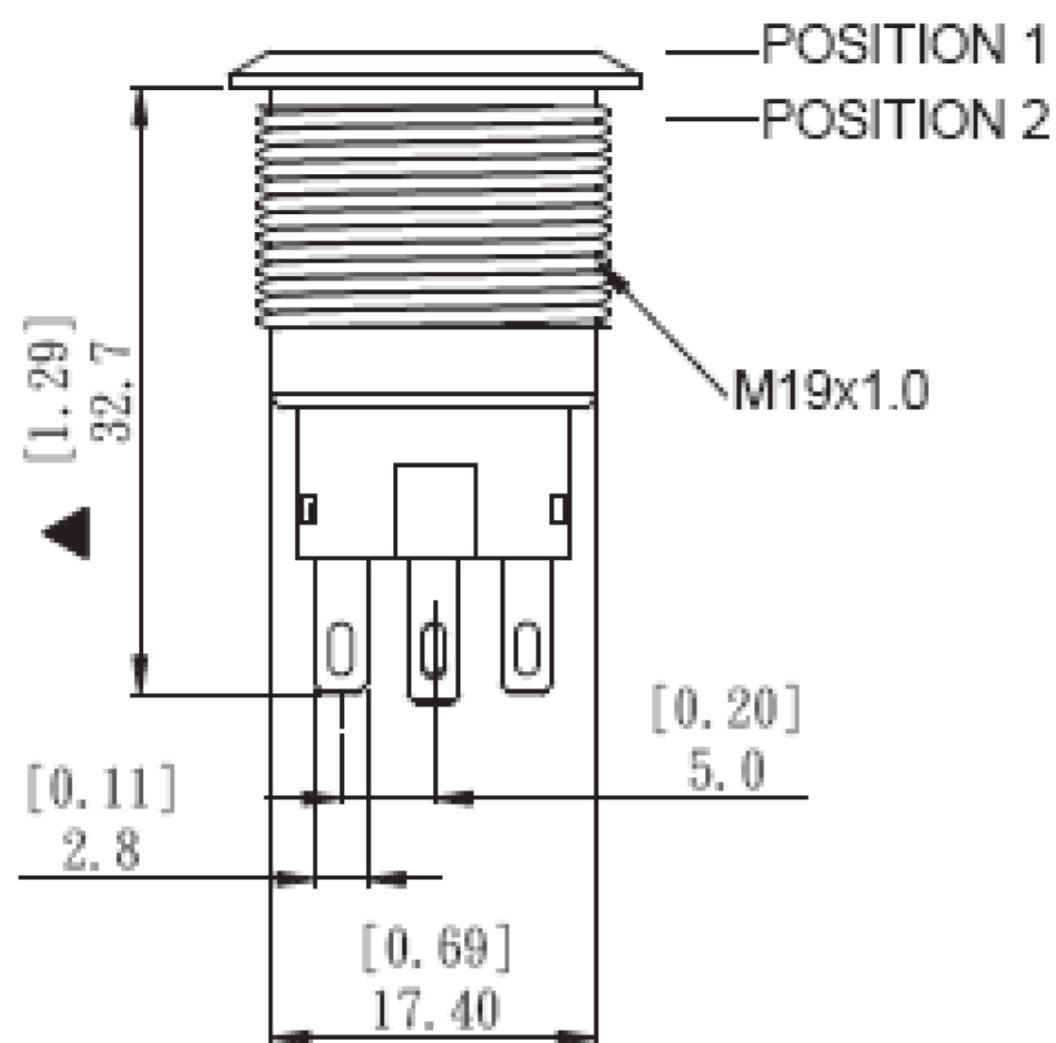
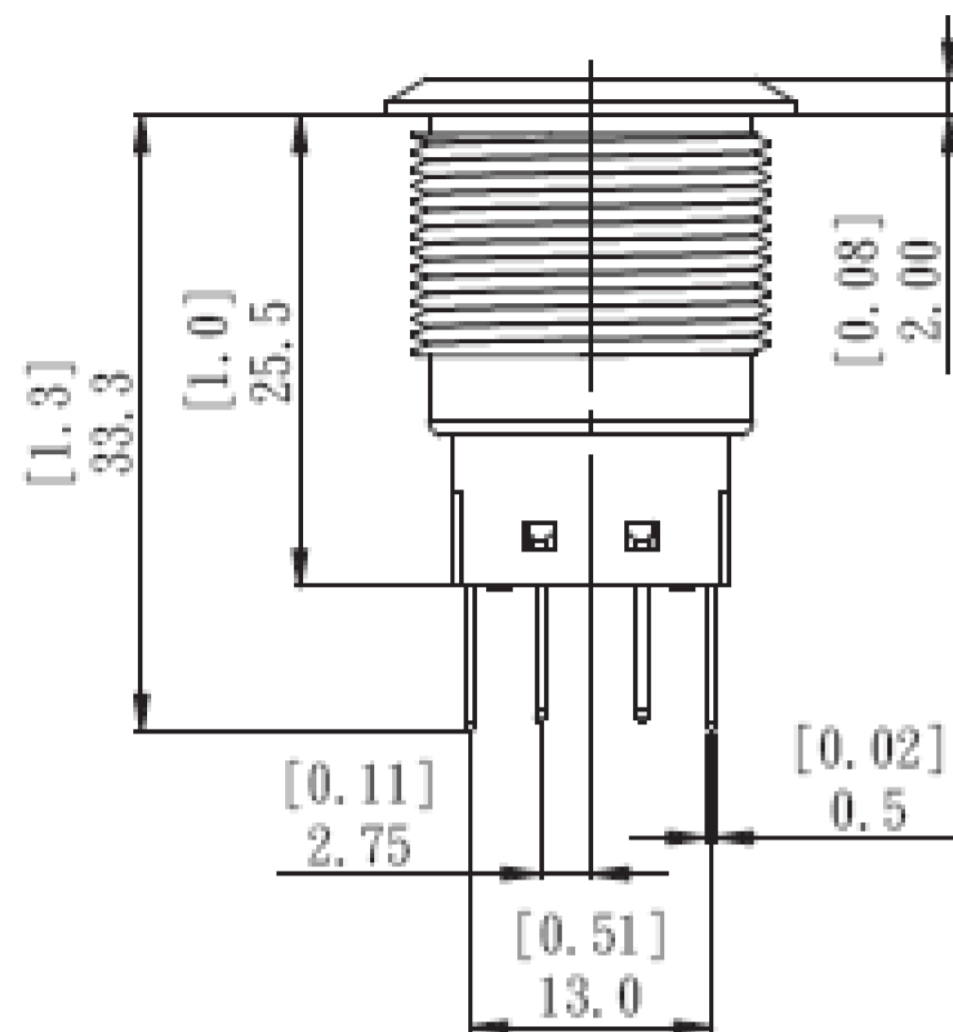
BUSHING: STAINLESS STEEL
BASE: PBT (UL 94-V0), PC (UL 94-V2)
ACTUATOR: STAINLESS STEEL, PC
SEALING: O-RING (SILICONE)
TERMINAL/CONTACT: COPPER BASE, SILVER/GOLD PLATED
HEX NUT: BRASS BASE, NICKEL PLATED

1 ALL MATERIAL AND FINISHES SHALL COMPLY WITH EU DIRECTIVE 2002/95/EC OF 27JAN2003 (ROHS)



THIS DRAWING IS A CONTROLLED DOCUMENT.		DWN NAGALAKSHMI K 08FEB2016	TE Connectivity Ltd.	
DIMENSIONS: mm [INCHES]		CHK HILL RYAN 08FEB2016	NAME ANTI-VANDAL SWITCH 19mm SPOT LED	
TOLERANCES UNLESS OTHERWISE SPECIFIED:		APVD HILL RYAN 08FEB2016	DRAWING NO A2 00779 C=2213765	
0 PLC \pm -		PRODUCT SPEC	RESTRICTED TO	
1 PLC \pm -		APPLICATION SPEC	SCALE 1:1 SHEET 1 OF 4 REV A1	
2 PLC \pm -		WEIGHT -		
3 PLC \pm -		CUSTOMER DRAWING		
4 PLC \pm -				
ANGLES \pm -				
FINISH -				

REVISIONS					
P	LTR	DESCRIPTION	DATE	DWN	APVD
-	-	SEE SHEET 1	-	-	-




THIS DRAWING IS A CONTROLLED DOCUMENT.		DWN 08FEB2016 NAGALAKSHMI K	TE Connectivity Ltd.																				
DIMENSIONS: mm [INCHES]		CHK 08FEB2016 HILL RYAN																					
TOLERANCES UNLESS OTHERWISE SPECIFIED:		APVD 08FEB2016 HILL RYAN	NAME ANTI-VANDAL SWITCH 19mm SPOT LED																				
<table border="1"> <tr><td>0 PLC</td><td>±</td><td>-</td></tr> <tr><td>1 PLC</td><td>±</td><td>-</td></tr> <tr><td>2 PLC</td><td>±</td><td>-</td></tr> <tr><td>3 PLC</td><td>±</td><td>-</td></tr> <tr><td>4 PLC</td><td>±</td><td>-</td></tr> <tr><td>ANGLES</td><td>±</td><td>-</td></tr> </table>		0 PLC	±	-	1 PLC	±	-	2 PLC	±	-	3 PLC	±	-	4 PLC	±	-	ANGLES	±	-	PRODUCT SPEC -	SIZE A2	CAGE CODE 00779	DRAWING NO C=2213765
0 PLC	±	-																					
1 PLC	±	-																					
2 PLC	±	-																					
3 PLC	±	-																					
4 PLC	±	-																					
ANGLES	±	-																					
MATERIAL -		FINISH -	WEIGHT -	SCALE 1:1	SHEET 2 of 4																		
CUSTOMER DRAWING			RESTRICTED TO -	REV A1																			

REVISIONS

P	LTR	DESCRIPTION	DATE	DWN	APVD
-	-	SEE SHEET 1	-	-	-


POLE/THROW	CONTACT	LED COLOR	LED VOLTAGE	TE DESCRIPTIVE PN	TE PART NUMBER
SINGLE POLE-LOCKING	GOLD	BLUE	24V	AV1911D724R04	4-2213765-0
	SILVER	BLUE	24V	AV1911D724Q04	3-2213765-9
	GOLD	BLUE	12V	AV1911D712R04	3-2213765-8
	SILVER	BLUE	12V	AV1911D712Q04	3-2213765-7
	GOLD	GREEN	24V	AV1911D624R04	3-2213765-6
	SILVER	GREEN	24V	AV1911D624Q04	3-2213765-5
	GOLD	GREEN	12V	AV1911D612R04	3-2213765-4
	SILVER	GREEN	12V	AV1911D612Q04	3-2213765-3
	GOLD	YELLOW	24V	AV1911D524R04	3-2213765-2
	SILVER	YELLOW	24V	AV1911D524Q04	3-2213765-1
	GOLD	YELLOW	12V	AV1911D512R04	3-2213765-0
	SILVER	YELLOW	12V	AV1911D512Q04	2-2213765-9
	GOLD	RED	24V	AV1911D324R04	2-2213765-8
	SILVER	RED	24V	AV1911D324Q04	2-2213765-7
	GOLD	RED	12V	AV1911D312R04	2-2213765-6
	SILVER	RED	12V	AV1911D312Q04	2-2213765-5
	GOLD	WHITE	24V	AV1911D124R04	2-2213765-4
	SILVER	WHITE	24V	AV1911D124Q04	2-2213765-3
GOLD	WHITE	12V	AV1911D112R04	2-2213765-2	
SILVER	WHITE	12V	AV1911D112Q04	2-2213765-1	
SINGLE POLE-MOMENTARY	GOLD	BLUE	24V	AV1910D724R04	2-2213765-0
	SILVER	BLUE	24V	AV1910D724Q04	1-2213765-9
	GOLD	BLUE	12V	AV1910D712R04	1-2213765-8
	SILVER	BLUE	12V	AV1910D712Q04	1-2213765-7
	GOLD	GREEN	24V	AV1910D624R04	1-2213765-6
	SILVER	GREEN	24V	AV1910D624Q04	1-2213765-5
	GOLD	GREEN	12V	AV1910D612R04	1-2213765-4
	SILVER	GREEN	12V	AV1910D612Q04	1-2213765-3
	GOLD	YELLOW	24V	AV1910D524R04	1-2213765-2
	SILVER	YELLOW	24V	AV1910D524Q04	1-2213765-1
	GOLD	YELLOW	12V	AV1910D512R04	1-2213765-0
	SILVER	YELLOW	12V	AV1910D512Q04	2213765-9
	GOLD	RED	24V	AV1910D324R04	2213765-8
	SILVER	RED	24V	AV1910D324Q04	2213765-7
	GOLD	RED	12V	AV1910D312R04	2213765-6
	SILVER	RED	12V	AV1910D312Q04	2213765-5
	GOLD	WHITE	24V	AV1910D124R04	2213765-4
	SILVER	WHITE	24V	AV1910D124Q04	2213765-3
GOLD	WHITE	12V	AV1910D112R04	2213765-2	
SILVER	WHITE	12V	AV1910D112Q04	2213765-1	

THIS DRAWING IS A CONTROLLED DOCUMENT.		DWN NAGALAKSHMI K 08FEB2016	 TE Connectivity Ltd.	
DIMENSIONS: mm [INCHES]		CHK HILL RYAN 08FEB2016		
TOLERANCES UNLESS OTHERWISE SPECIFIED:		APVD HILL RYAN 08FEB2016	NAME ANTI-VANDAL SWITCH 19mm SPOT LED	
0 PLC ± - 1 PLC ± - 2 PLC ± - 3 PLC ± - 4 PLC ± - ANGLES ± -		PRODUCT SPEC -	APPLICATION SPEC -	
MATERIAL -	FINISH -	WEIGHT -	SIZE A2	CAGE CODE 00779
CUSTOMER DRAWING			DRAWING NO C=2213765	RESTRICTED TO -
			SCALE 1:1	SHEET 3 of 4
			REV A1	

REVISIONS

P	LTR	DESCRIPTION	DATE	DWN	APVD
-	-	SEE SHEET 1	-	-	-

POLE/THROW	CONTACT	LED COLOR	LED VOLTAGE	TE DESCRIPTIVE PN	TE PART NUMBER
DOUBLE POLE-LOCKING	GOLD	BLUE	24V	AV1921D724R04	8-2213765-0
	SILVER	BLUE	24V	AV1921D724Q04	7-2213765-9
	GOLD	BLUE	12V	AV1921D712R04	7-2213765-8
	SILVER	BLUE	12V	AV1921D712Q04	7-2213765-7
	GOLD	GREEN	24V	AV1921D624R04	7-2213765-6
	SILVER	GREEN	24V	AV1921D624Q04	7-2213765-5
	GOLD	GREEN	12V	AV1921D612R04	7-2213765-4
	SILVER	GREEN	12V	AV1921D612Q04	7-2213765-3
	GOLD	YELLOW	24V	AV1921D524R04	7-2213765-2
	SILVER	YELLOW	24V	AV1921D524Q04	7-2213765-1
	GOLD	YELLOW	12V	AV1921D512R04	7-2213765-0
	SILVER	YELLOW	12V	AV1921D512Q04	6-2213765-9
	GOLD	RED	24V	AV1921D324R04	6-2213765-8
	SILVER	RED	24V	AV1921D324Q04	6-2213765-7
	GOLD	RED	12V	AV1921D312R04	6-2213765-6
	SILVER	RED	12V	AV1921D312Q04	6-2213765-5
DOUBLE POLE-MOMENTARY	GOLD	WHITE	24V	AV1921D124R04	6-2213765-4
	SILVER	WHITE	24V	AV1921D124Q04	6-2213765-3
	GOLD	WHITE	12V	AV1921D112R04	6-2213765-2
	SILVER	WHITE	12V	AV1921D112Q04	6-2213765-1
	GOLD	BLUE	24V	AV1920D724R04	6-2213765-0
	SILVER	BLUE	24V	AV1920D724Q04	5-2213765-9
	GOLD	BLUE	12V	AV1920D712R04	5-2213765-8
	SILVER	BLUE	12V	AV1920D712Q04	5-2213765-7
	GOLD	GREEN	24V	AV1920D624R04	5-2213765-6
	SILVER	GREEN	24V	AV1920D624Q04	5-2213765-5
	GOLD	GREEN	12V	AV1920D612R04	5-2213765-4
	SILVER	GREEN	12V	AV1920D612Q04	5-2213765-3
	GOLD	YELLOW	24V	AV1920D524R04	5-2213765-2
	SILVER	YELLOW	24V	AV1920D524Q04	5-2213765-1
	GOLD	YELLOW	12V	AV1920D512R04	5-2213765-0
	SILVER	YELLOW	12V	AV1920D512Q04	4-2213765-9
GOLD	RED	24V	AV1920D324R04	4-2213765-8	
SILVER	RED	24V	AV1920D324Q04	4-2213765-7	
GOLD	RED	12V	AV1920D312R04	4-2213765-6	
SILVER	RED	12V	AV1920D312Q04	4-2213765-5	
GOLD	WHITE	24V	AV1920D124R04	4-2213765-4	
SILVER	WHITE	24V	AV1920D124Q04	4-2213765-3	
GOLD	WHITE	12V	AV1920D112R04	4-2213765-2	
SILVER	WHITE	12V	AV1920D112Q04	4-2213765-1	

THIS DRAWING IS A CONTROLLED DOCUMENT.		DWN NAGALAKSHMI K 08FEB2016	 TE Connectivity Ltd.																			
DIMENSIONS: mm [INCHES]		CHK HILL RYAN 08FEB2016																				
TOLERANCES UNLESS OTHERWISE SPECIFIED:		APVD HILL RYAN 08FEB2016	NAME ANTI-VANDAL SWITCH 19mm SPOT LED																			
<table border="1"> <tr><td>0 PLC</td><td>±</td><td>-</td></tr> <tr><td>1 PLC</td><td>±</td><td>-</td></tr> <tr><td>2 PLC</td><td>±</td><td>-</td></tr> <tr><td>3 PLC</td><td>±</td><td>-</td></tr> <tr><td>4 PLC</td><td>±</td><td>-</td></tr> <tr><td>ANGLES</td><td>±</td><td>-</td></tr> </table>		0 PLC	±	-	1 PLC	±	-	2 PLC	±	-	3 PLC	±	-	4 PLC	±	-	ANGLES	±	-	PRODUCT SPEC -	DRAWING NO A2 00779 C=2213765	
0 PLC	±	-																				
1 PLC	±	-																				
2 PLC	±	-																				
3 PLC	±	-																				
4 PLC	±	-																				
ANGLES	±	-																				
MATERIAL -		FINISH -	WEIGHT -	RESTRICTED TO -																		
CUSTOMER DRAWING			SCALE 1:1	SHEET 4 OF 4																		

X-ON Electronics

Largest Supplier of Electrical and Electronic Components

Click to view similar products for [Pushbutton Switches](#) category:

Click to view products by [TE Connectivity](#) manufacturer:

Other Similar products are found below :

[8940K2012](#) [LW1L-M1C10V-A](#) [LW1L-M1C70-A](#) [LW2L-A1C20M-GD](#) [LW2L-M1C20M-A](#) [60324L](#) [M22-D-R-GB0/K11](#) [M7E-HRN2](#)
[67021K512](#) [67081K512X](#) [701PB580](#) [7199K101](#) [810K12910](#) [810KSV30B](#) [MML21EA2ADK](#) [MML21KA3ABK](#) [MML23KA3AC05K-001](#)
[MML23KW3AA01W](#) [8418K2](#) [8442K3](#) [8450K1](#) [860K11911T01A](#) [861901](#) [861K11911T01A07](#) [861K13810T00A14](#) [861K13911](#)
[8646AB6X718UL](#) [8646ABUL](#) [9001KXRK](#) [907AYY100](#) [PMHD155A1](#) [9533CD4+U574+U4922](#) [95-414.000](#) [99-450.837](#) [99-453.837](#)
[PV3H2B0NN-341](#) [1203MRA](#) [A22NZBGANGA](#) [A22NZBNANGA](#) [A22NZMPATRA](#) [A2PMA1X03EC56](#) [A3A-5123-02](#) [A3A-7140](#) [A3A-7310](#) [A3A-7340](#) [A3U-TMW-A2C-5M](#) [A595](#) [12037A2ULCSA](#) [ABD122N-B](#) [1211390004](#)