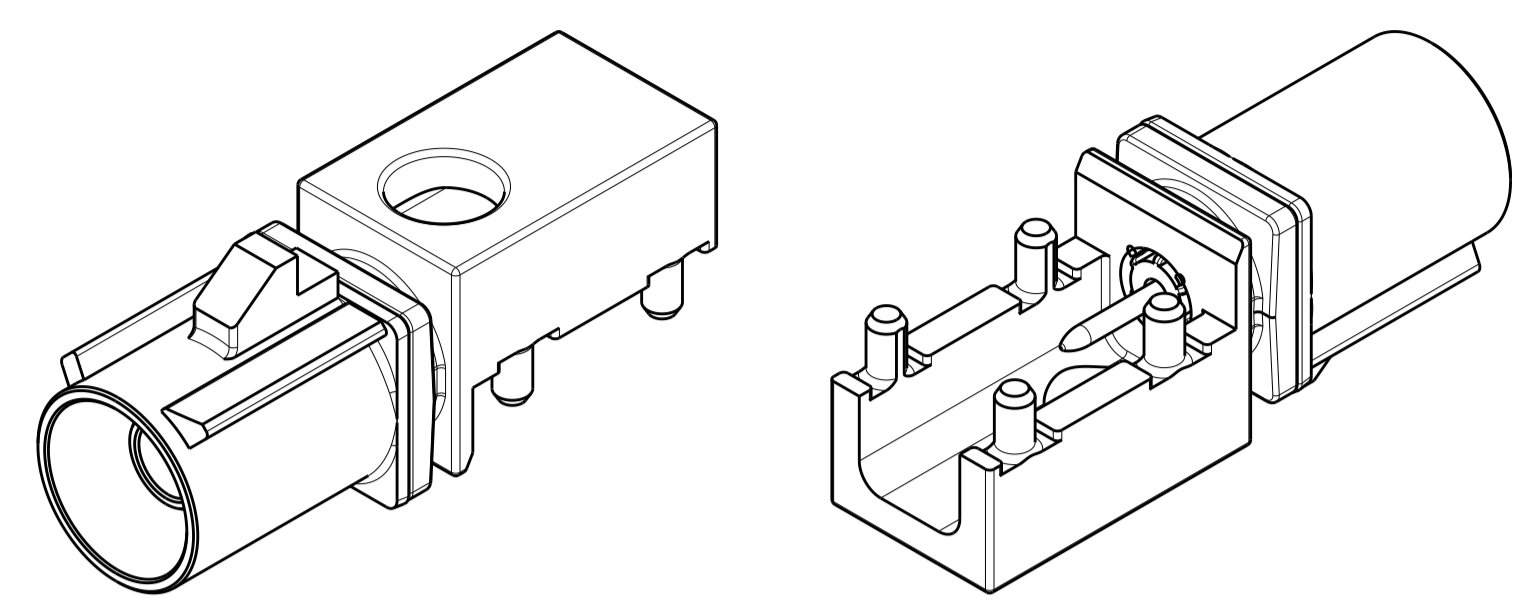
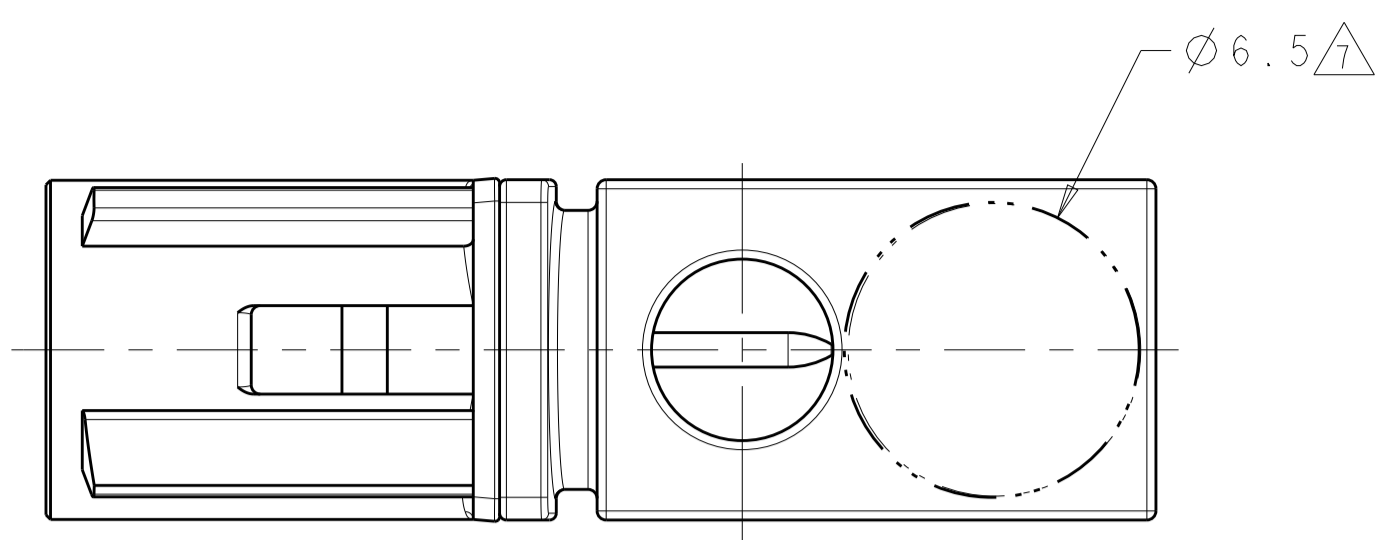
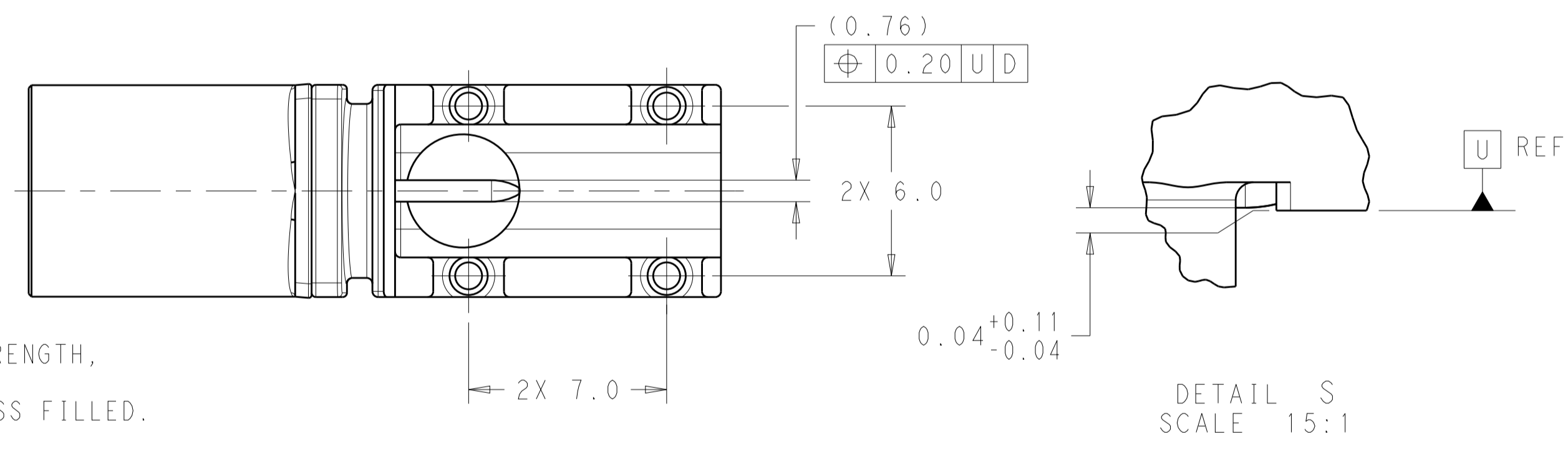
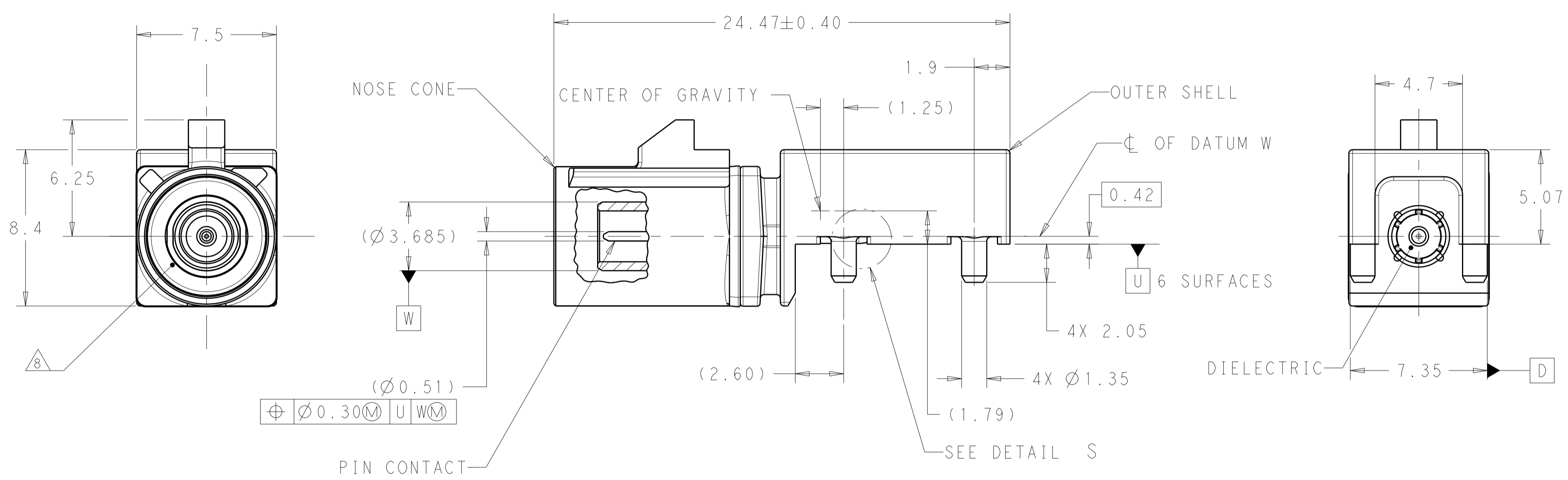


REVISIONS					
P	LTN	DESCRIPTION	DATE	DWN	APVD
G1		REVISED PER ECO-16-006284	25APR2016	ERL	ERL
H		REVISED PER ECO-16-009531	24JUN2016	JAB	ERL
H1		REVISED PER ECO-20-000275	27JAN2020	KP	MB
H2		REVISED PER ECO-20-008977	26JUN2020	JMS	MB



ISOMETRIC VIEWS
SCALE 4:1



- 1 NOSE CONE - NYLON WITH INCREASED WELDLINE STRENGTH, COLOR: SEE TABLE, 30% GLASS FILLED.
DIELECTRIC - POLYESTER PCT, NATURAL, 30% GLASS FILLED.
PIN CONTACT - BRASS.
OUTER SHELL - ZINC.
- 2 PIN CONTACT - 0.38µm MIN GOLD ON INTERFACE END,
2.5µm MIN TIN ON SOLDER END,
BOTH OVER 1.3µm MIN NICKEL.
OUTER SHELL - 2.0µm MIN TIN OVER 1.52µm MIN NICKEL,
BOTH OVER 2.54µm MIN COPPER.
- 3 REMOVED
- 4 MINIMUM SIGNAL PAD FOR SOLDER.
- 5 MINIMUM RECOMMENDED GROUND PLANE.
- 6 SIGNAL DIMENSION TRACE RECOMMENDED FOR OPTIMUM SIGNAL PERFORMANCE.
- 7 VACUUM PICKUP AREA.
- 8 MALE INTERFACE PER SAE/USCAR-18 REVISION 3, ROAD VEHICLES 50 Ohm RADIO FREQUENCY INTERFACE.
- 9 REELING VIEW FOR REFERENCE ONLY TO SHOW UNREELING DIRECTION

FINISH	PACKAGING	CODING DETAIL	NOSE CONE COLOR	CODING REF	PART NUMBER
1	TAPE AND REEL	PER DETAIL Z	WATER BLUE	Z	7-2287906-0
		PER DETAIL N	PASTEL GREEN	N	6-2287906-3
		PER DETAIL M	PASTEL ORANGE	M	6-2287906-2
		PER DETAIL L	CARMINE RED	L	6-2287906-1
		PER DETAIL K	CURRY	K	6-2287906-0
		PER DETAIL I	BEIGE	I	5-2287906-9
		PER DETAIL H	HEATHER VIOLET	H	5-2287906-8
		PER DETAIL G	BLUE GREY	G	5-2287906-7
		PER DETAIL F	NUT BROWN	F	5-2287906-6
		PER DETAIL E	LEAF GREEN	E	5-2287906-5
		PER DETAIL D	CLARET VIOLET	D	5-2287906-4
		PER DETAIL C	SIGNAL BLUE	C	5-2287906-3
		PER DETAIL B	CREAM	B	5-2287906-2
		PER DETAIL A	JET BLACK	A	5-2287906-1
		PER DETAIL Z	WATER BLUE	Z	2-2287906-0
		PER DETAIL N	PASTEL GREEN	N	1-2287906-3
		PER DETAIL M	PASTEL ORANGE	M	1-2287906-2
		PER DETAIL L	CARMINE RED	L	1-2287906-1
PER DETAIL K	CURRY	K	1-2287906-0		
PER DETAIL I	BEIGE	I	2287906-9		
PER DETAIL H	HEATHER VIOLET	H	2287906-8		
PER DETAIL G	BLUE GREY	G	2287906-7		
PER DETAIL F	NUT BROWN	F	2287906-6		
PER DETAIL E	LEAF GREEN	E	2287906-5		
PER DETAIL D	CLARET VIOLET	D	2287906-4		
PER DETAIL C	SIGNAL BLUE	C	2287906-3		
PER DETAIL B	CREAM	B	2287906-2		
PER DETAIL A	JET BLACK	A	2287906-1		

THIS DRAWING IS A CONTROLLED DOCUMENT.

DIMENSIONS: mm

TOLERANCES UNLESS OTHERWISE SPECIFIED:

0 PLC	±
1 PLC	±0.2
2 PLC	±0.08
3 PLC	±
4 PLC	±
ANGLES	±

MATERIAL: SEE TABLE

FINISH: SEE TABLE

THIS DRAWING IS A CONTROLLED DOCUMENT.

DWN: J.A.BAKER 30SEP2014

CHK: D.J.LANE 30SEP2014

APVD: D.J.LANE 30SEP2014

PRODUCT SPEC: 108-32058

APPLICATION SPEC: 114-32108

WEIGHT: 3.07g

CUSTOMER DRAWING

TE Connectivity

NAME: MALE ASSEMBLY, 1 POSITION, 12 O'CLOCK, EDGE MOUNT, PCB, FAKRA

SIZE: A

CAGE CODE: 114-32108

DRAWING NO: 100779

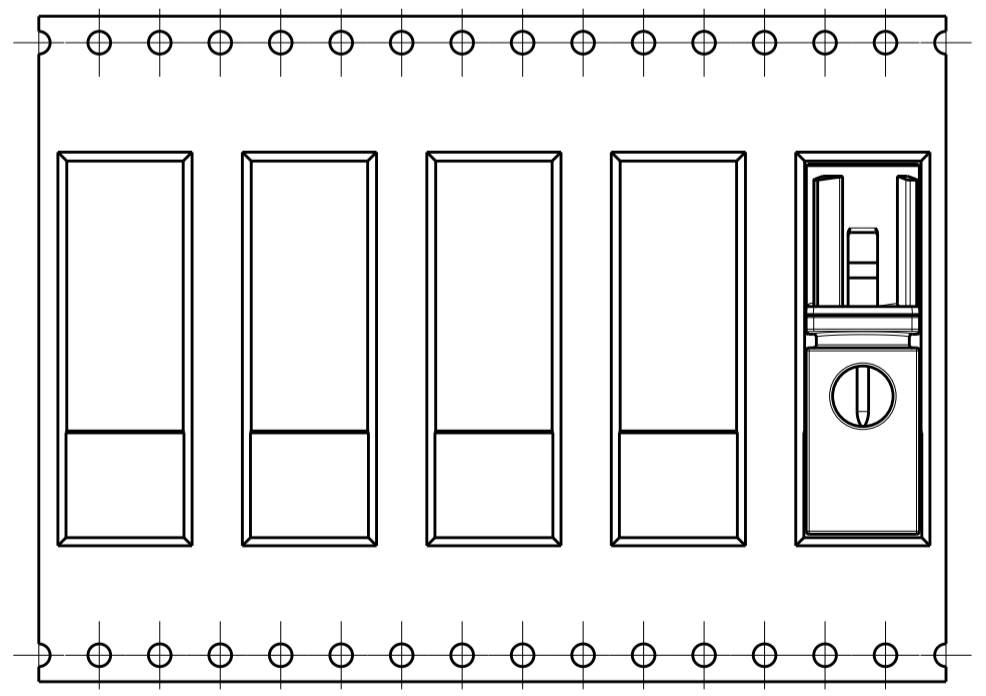
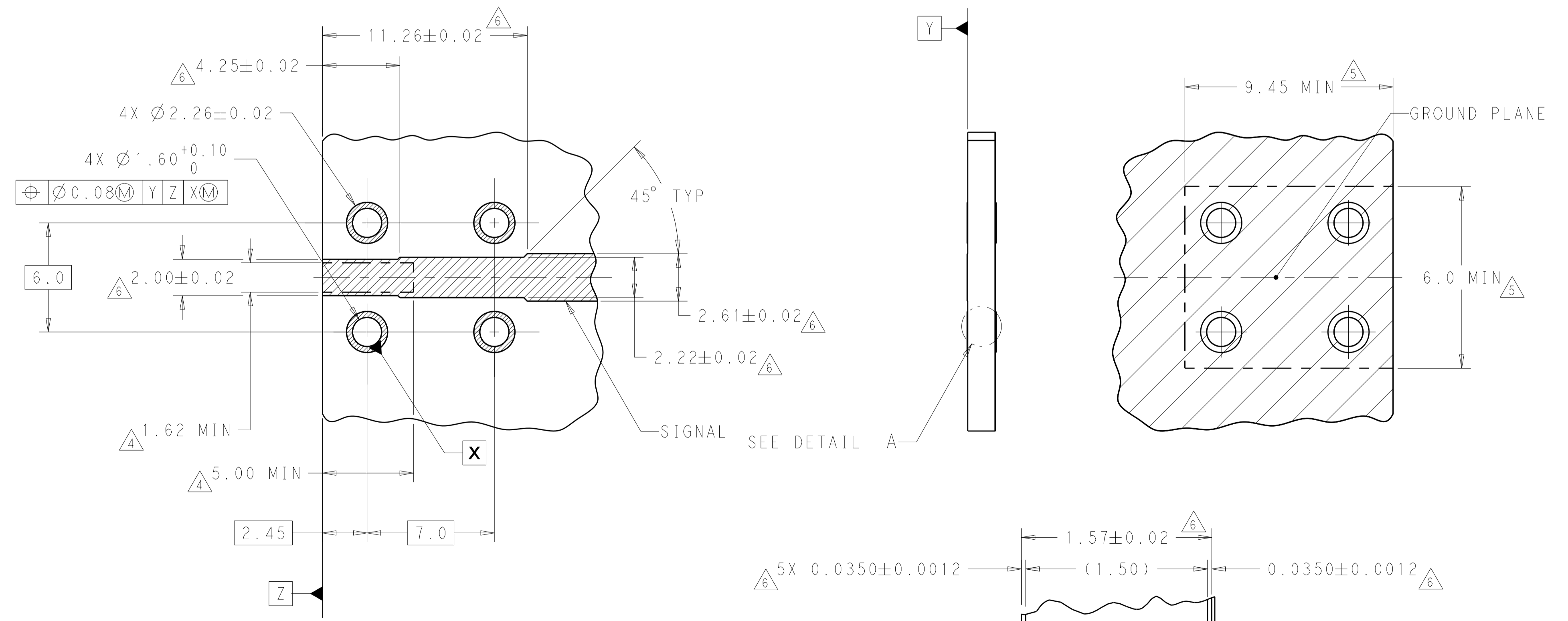
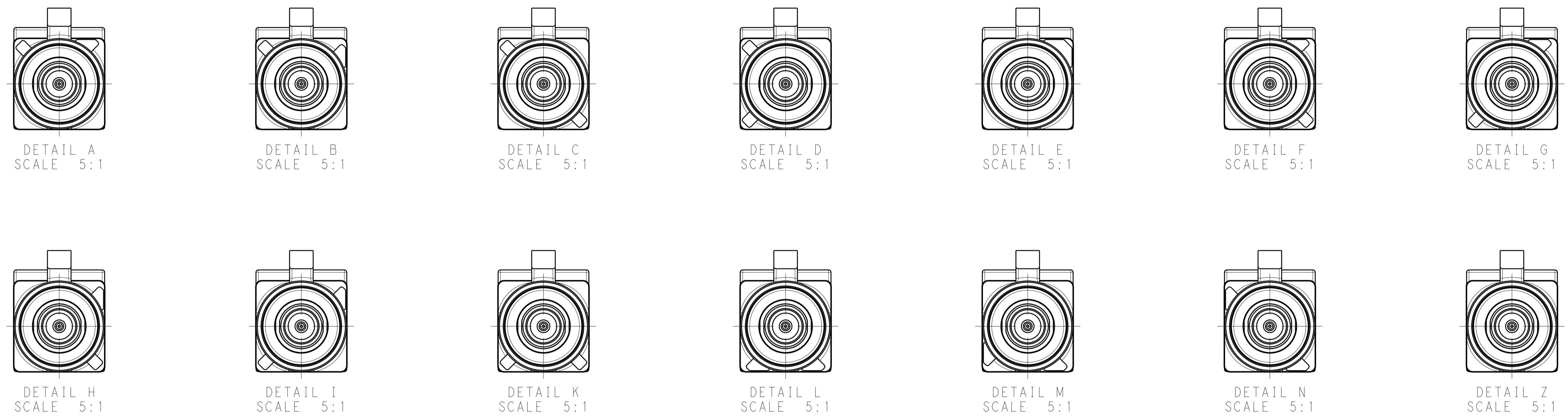
SCALE: 6:1

SHEET 1 OF 2

REV: H2

REVISIONS				
P.	LTN	DESCRIPTION	DATE	APVD
-	-	SEE SHEET 1	-	-

CODINGS



△ MATERIAL DIELECTRIC CONSTANT; FR4 = 4.51

DETAIL A
SCALE 40:1

THIS DRAWING IS A CONTROLLED DOCUMENT.		DWN J.A.BAKER 30SEP2014 CHK D.J.LANE 30SEP2014 APVD D.J.LANE 30SEP2014	TE Connectivity
DIMENSIONS: mm 	TOLERANCES UNLESS OTHERWISE SPECIFIED: 0 PLC ± 1 PLC ±0.2 2 PLC ±0.08 3 PLC ± 4 PLC ± ANGLES ±	NAME MALE ASSEMBLY, 1 POSITION, 12 O'CLOCK, EDGE MOUNT, PCB, FAKRA PRODUCT SPEC 108-32058 APPLICATION SPEC 114-32108 WEIGHT 3.07g	
MATERIAL	FINISH SEE TABLE	SIZE CAGE CODE DRAWING NO 114-32108 CUSTOMER DRAWING	RESTRICTED TO A100779C=2287906 SCALE 6:1 SHEET 2 OF 2 REV H2

X-ON Electronics

Largest Supplier of Electrical and Electronic Components

Click to view similar products for [RF Connectors / Coaxial Connectors](#) category:

Click to view products by [TE Connectivity](#) manufacturer:

Other Similar products are found below :

[8915-1511-000](#) [89674-0827](#) [6001-7071-019](#) [6002-7051-003](#) [6002-7551-202](#) [6059674-1](#) [619550-1](#) [630059-000](#) [M39030/3-01N](#) [6500-7071-046](#) [6769](#) [CX050L2AQ](#) [7002-1541-010](#) [7002-1542-011](#) [7004-1512-000](#) [7009-1511-004](#) [7010-1511-000](#) [7029-1511-060](#) [7101-1541-010](#) [7101-1571-002](#) [7105-1521-002](#) [7145-1521-002](#) [7203-1571-003](#) [7209-1511-011](#) [7210-1511-015](#) [7210-1511-019](#) [73137-5015](#) [73216-2241](#) [73404-2300](#) [7405-1521-005](#) [7405-1521-802](#) [8527](#) [8547](#) [FS11V](#) [877931](#) [9049-9513-000](#) [9074-9513-000](#) [9101-9573-002](#) [910A205F](#) [9130-9573-002](#) [PL11SC-026](#) [PL375-33](#) [PL40-5](#) [PL74C-221](#) [PL75MC-217](#) [PL803-7](#) [1200690078](#) [1-201144-1](#) [R107003010W](#) [R110A172100](#)