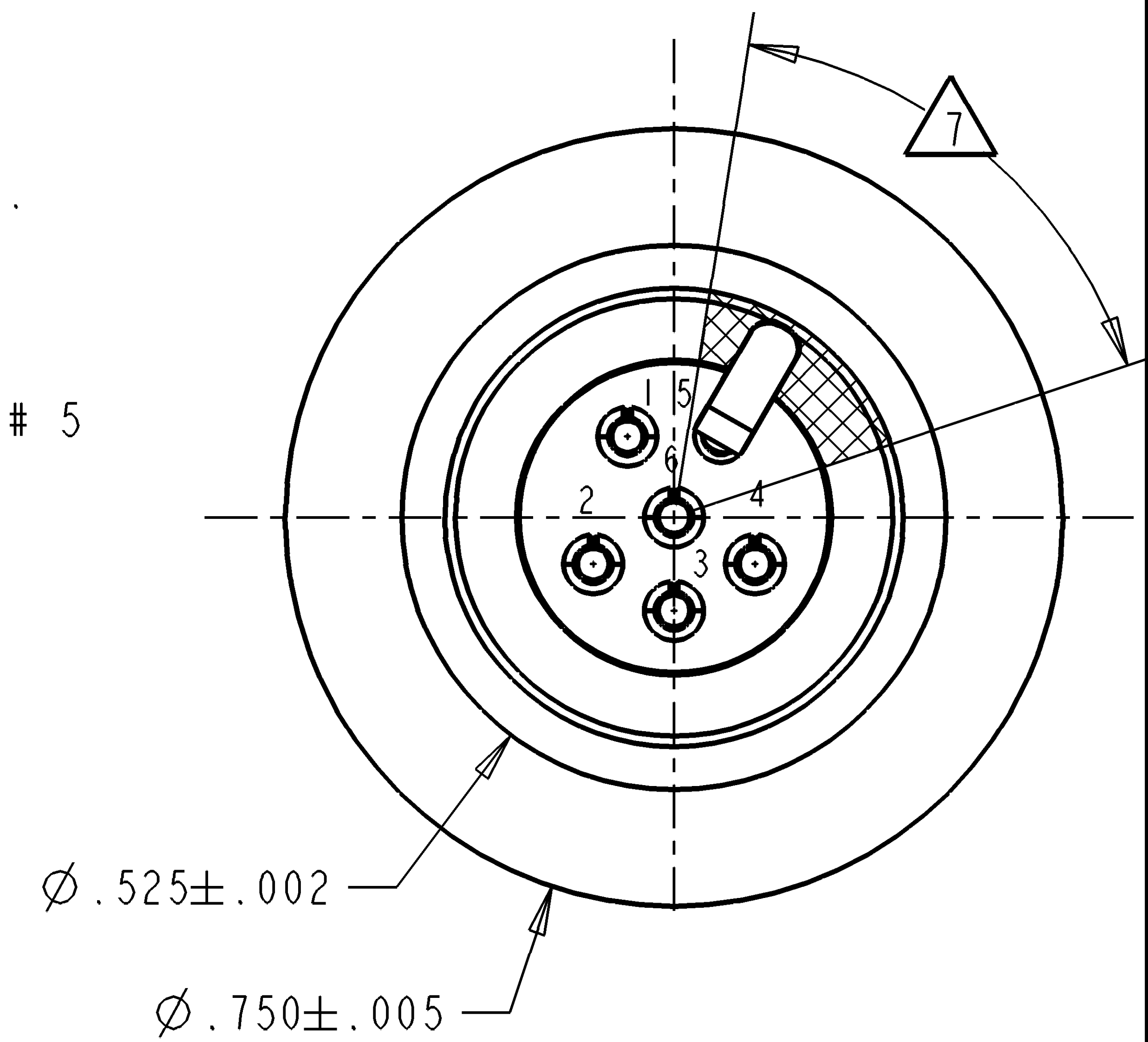
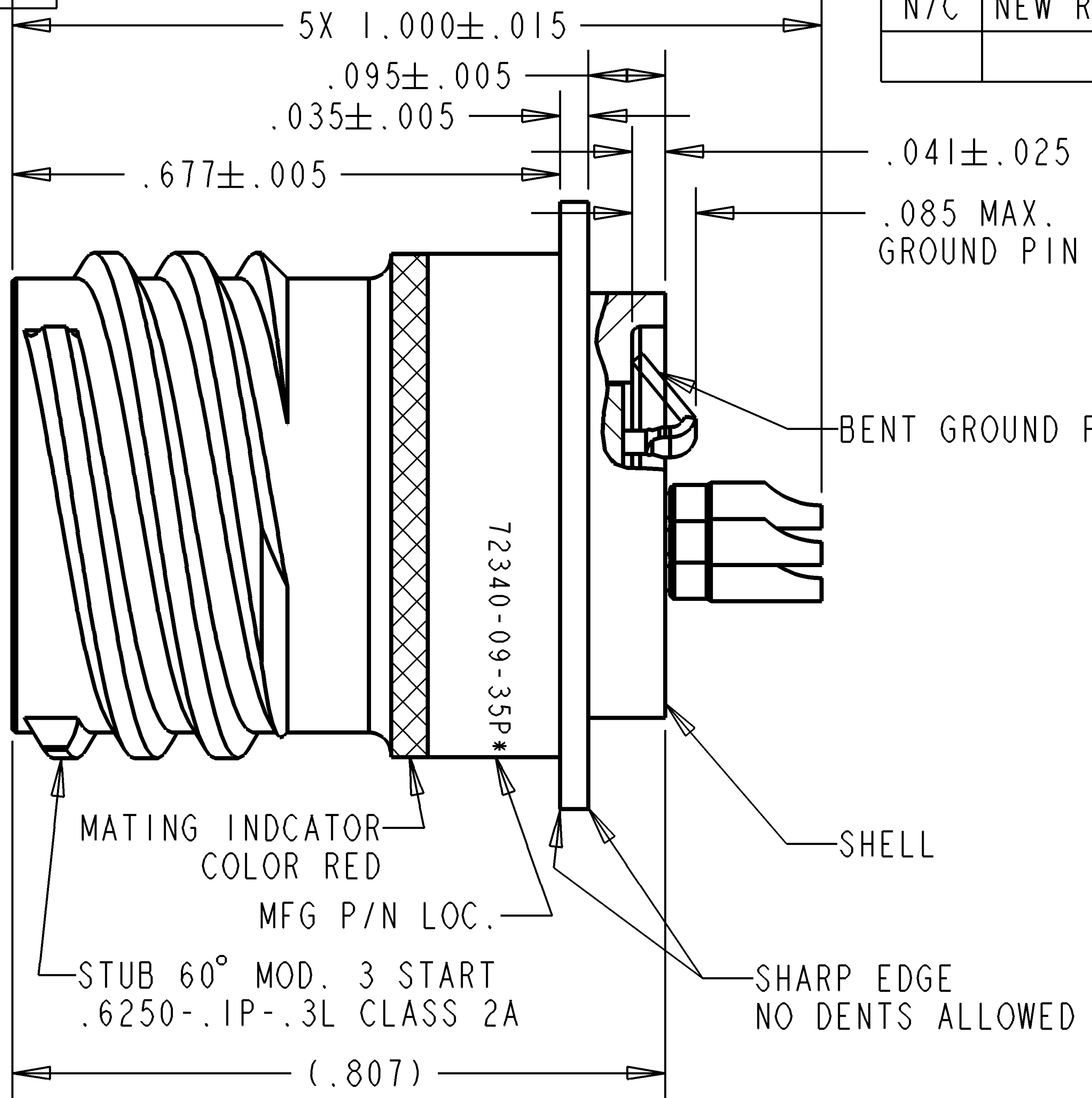
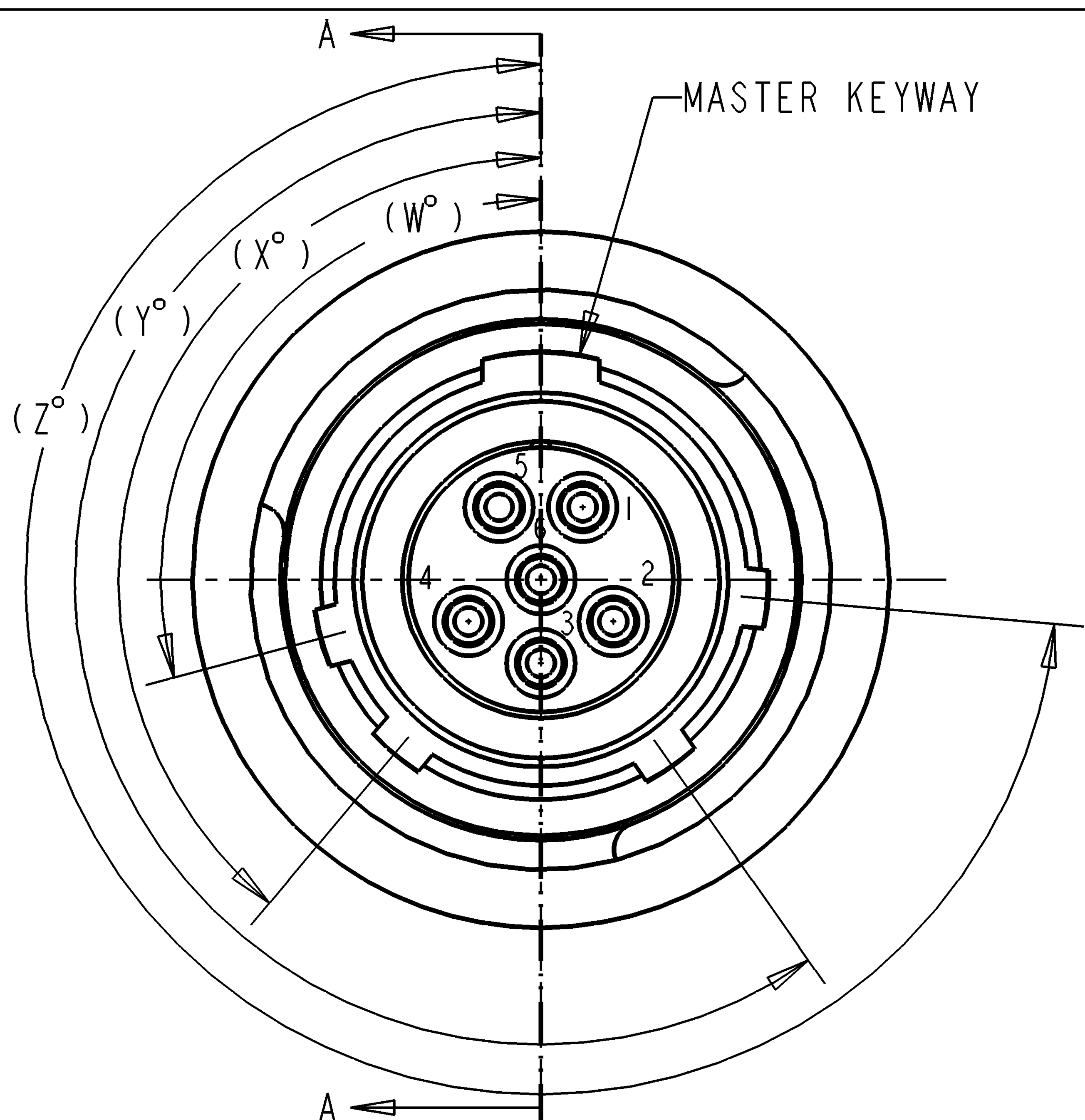


PROPERTY OF DEUTSCH E.C.D
 THIS DRAWING CONTAINS PROPRIETARY INFORMATION THAT SHALL NOT BE DISCLOSED, DUPLICATED,
 NOR USED IN WHOLE OR IN PART FOR ANY PURPOSE OTHER THAN TO EVALUATE THIS DRAWING.

N/C 72340-09-35P*

REVISIONS			
REV	DESCRIPTIONS	DATE	APPROVED
N/C	NEW RELEASE PER E.O.H3859	5-12-03	M.A.



- DIMENSIONS ARE IN INCHES UNLESS OTHERWISE SPECIFIED.
- INSERT ARRANGEMENT PER MIL-STD-1560.
- LEAK RATE: $1E-8$ cc/sec He @ 1 atm.
- INSULATION RESISTANCE: >5000 MEGOHM @ 500 VDC
 DIELECTRIC WITHSTANDING VOLTAGE: NO BREAKDOWN @ 1300 VAC
 MAXIMUM ALLOWABLE RESISTANCE FOR GROUND PIN "5" : 5 MILLIOHMS
- MATERIAL:
 SHELL - 304L STAINLESS STEEL
 INSULATOR - GLASS INSERT
 CONTACT - 52 HIGH NICKEL-IRON ALLOY
 INTERFACIAL SEALS - FLUOROSILICONE ELASTOMER

KEYWAY REFERENCE ANGLE:

DEUTSCH P/N *	POS.	W°	X°	Y°	Z°
72340-09-35PN	N	105	140	215	265
72340-09-35PA	A	102	132	248	320
72340-09-35PB	B	80	118	230	312
72340-09-35PC	C	35	140	205	275
72340-09-35PD	D	64	155	234	304
72340-09-35PE	E	91	131	197	240

- FINISH:
 SHELL - PASSIVATION
 CONTACT - GOLD OVER NICKEL
 - GROUND PIN "5" IS GROUNDED TO CONNECTOR SHELL IN THIS AREA.
 - MATER PLUG: DTS26F09-35S* OR D38999/26CA35S*
- NOTE(S):

	SIGNATURE & DATE
DR	F.BAUTISTA 5-7-03
CHK	M.ALLEN 5-02-03
PE	J.AGUILERA 5-12-03
APPD	J.AGUILERA 5-12-03
SCALE:	

CONNECTOR, RECEPTACLE
 SPECIAL SOLDER MOUNT
 THREAD COUPLING
 MIL-C38999 SERIES III TYPE
 HERMETIC
 09-35 ARR
 5 SIZE 22 CONTACTS
 1 GROUND PIN
 ENVELOPE

CP

MATL CODE 72

DEUTSCH
 ENGINEERED INTERCONNECT SOLUTIONS
 250 Eddie Jones Way
 Oceanside, CA 92054

B 72340-09-35P*

DWG SIZE CAGE CODE SHEET 1 OF 1
 11139

FILE: 72340-09-35PX-ENV

X-ON Electronics

Largest Supplier of Electrical and Electronic Components

Click to view similar products for [Circular MIL Spec Connector](#) category:

Click to view products by [TE Connectivity](#) manufacturer:

Other Similar products are found below :

[0025-262-542](#) [0025-264-3014](#) [58-570121-04S](#) [0134-202-1200](#) [0134-207-1206](#) [0134-207-1800](#) [0134-207-2207](#) [0134-213-0806](#) [0134-213-1007](#) [0134-213-1009](#) [0134-213-1208](#) [0134-213-1800](#) [0134-213-2209](#) [0025-258-000](#) [015-9516-002](#) [60-042217-10P](#) [60-042722-19P](#) [0114-201-1278](#) [602GB06EG24-61SN](#) [0134-201-1207](#) [0134-201-1806](#) [0134-201-2006](#) [0134-201-2007](#) [0134-201-2010](#) [0134-202-1400](#) [0134-207-0809](#) [0134-207-1208](#) [0134-207-2009](#) [0134-213-1006](#) [6104-207-2302](#) [6104-208-1902](#) [6104-215-0902](#) [6131-202-19149P](#) [6131-204-21149P](#) [6131-207-13149P](#) [6131-208-13149P](#) [6131-209-17149P](#) [6131-210-11149P](#) [6131-211-19149P](#) [6131-216-19149P](#) [6131-220-25149P](#) [6131-259-11149P](#) [6131-259-21149P](#) [6131-259-23149P](#) [6131-263-19149P](#) [6131-265-17149P](#) [6131-265-19149P](#) [CS3102A-20-15P](#) [CS3102A-20-15S](#) [CS3102A-28-15S](#)