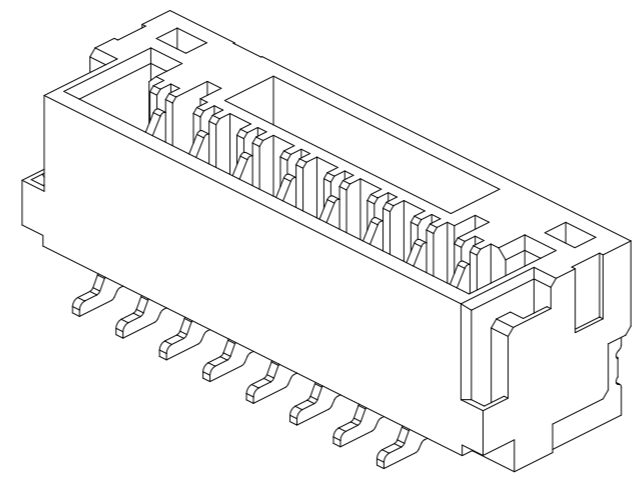
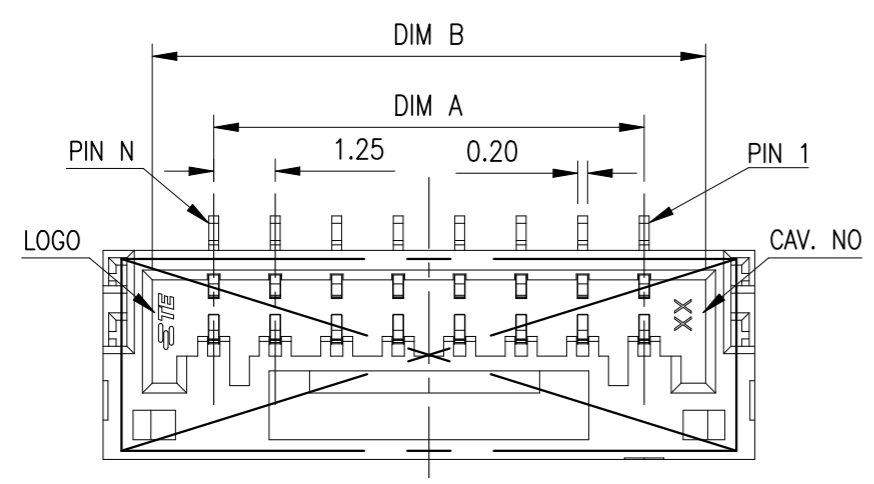
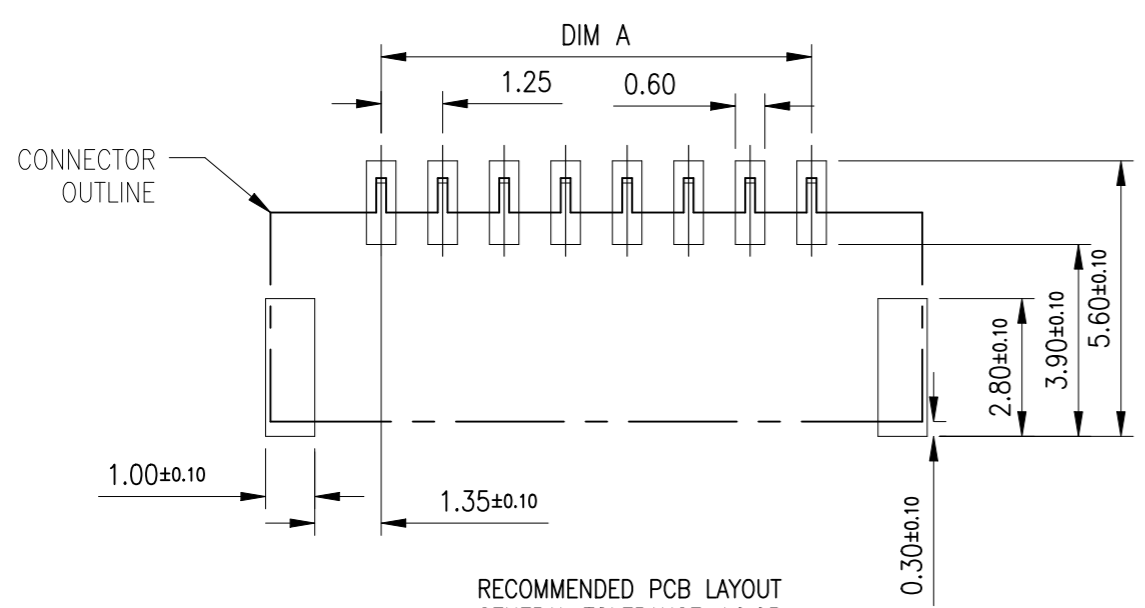
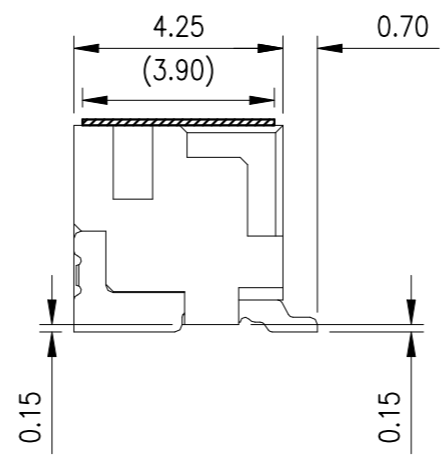
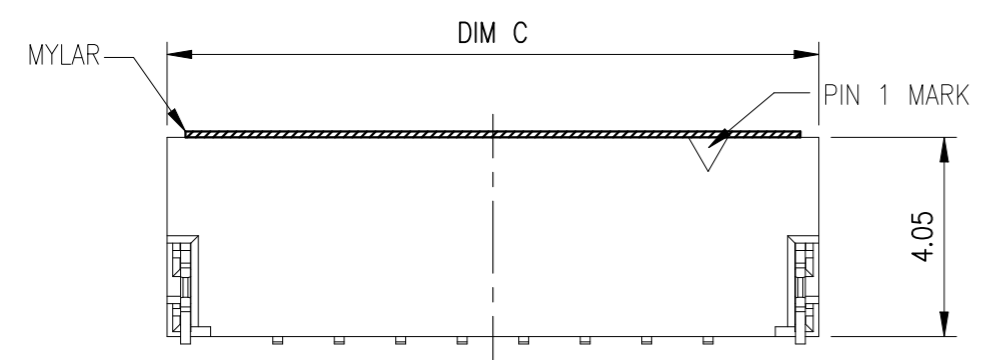


REVISIONS

P	LTR	DESCRIPTION	DATE	DWN	APVD
	A	ECR-21-104664	12APR2021	T.Q	W.H



- NOTES:
- MATERIAL:
    - 1.1 HOUSING: THERMOPLASTIC, HIGH TEMP.,UL94V-0,LCP
    - 1.2 CONTACT: COPPER ALLOY.
    - 1.3 FITTING NAIL: COPPER ALLOY.
  - FINISH:
    - 2.1 CONTACT: 50u" MIN. NICKEL UNDERPLATING OVERALL.  
TYPE A:80~150u" MATT TIN PLATING ON CONTACT AND SOLDER AREA  
TYPE B:0.5u" MIN GOLD FLASH ON CONTACT AND SOLDER AREA
    - 2.2 FITTING NAIL: 50u" MIN. NICKEL UNDERPLATING OVERALL.  
N:80u" MIN. MATTE TIN PLATING
  - MATING PARTS: X-2390144-X.



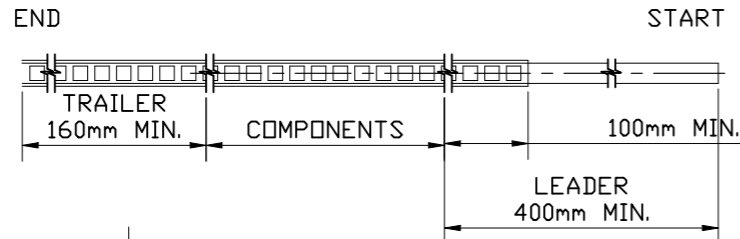
RECOMMENDED PCB LAYOUT  
GENERAL TOLERANCE ±0.05

COLOR	DIM C	DIM B	DIM A	POS	GOLD FLASH	MATT TIN	PLATING SPEC	PART NUMBER
BLACK	22.00	20.00	17.50	15P	7-2390138-5	5-2390138-5		
	20.75	18.75	16.25	14P	7-2390138-4	5-2390138-4		
	19.50	17.50	15.00	13P	7-2390138-3	5-2390138-3		
	18.25	16.25	13.75	12P	7-2390138-2	5-2390138-2		
	17.00	15.00	12.50	11P	7-2390138-1	5-2390138-1		
	15.75	13.75	11.25	10P	7-2390138-0	5-2390138-0		
	14.50	12.50	10.00	9P	6-2390138-9	4-2390138-9		
	13.25	11.25	8.75	8P	6-2390138-8	4-2390138-8		
	12.00	10.00	7.50	7P	6-2390138-7	4-2390138-7		
	10.75	8.75	6.25	6P	6-2390138-6	4-2390138-6		
NATURAL	9.50	7.50	5.00	5P	6-2390138-5	4-2390138-5		
	8.25	6.25	3.75	4P	6-2390138-4	4-2390138-4		
	7.00	5.00	2.50	3P	6-2390138-3	4-2390138-3		
	5.75	3.75	1.25	2P	6-2390138-2	4-2390138-2		
	22.00	20.00	17.50	15P	3-2390138-5	1-2390138-5		
	20.75	18.75	16.25	14P	3-2390138-4	1-2390138-4		
	19.50	17.50	15.00	13P	3-2390138-3	1-2390138-3		
	18.25	16.25	13.75	12P	3-2390138-2	1-2390138-2		
	17.00	15.00	12.50	11P	3-2390138-1	1-2390138-1		
	15.75	13.75	11.25	10P	3-2390138-0	1-2390138-0		
14.50	12.50	10.00	9P	2-2390138-9	2390138-9			
13.25	11.25	8.75	8P	2-2390138-8	2390138-8			
12.00	10.00	7.50	7P	2-2390138-7	2390138-7			
10.75	8.75	6.25	6P	2-2390138-6	2390138-6			
9.50	7.50	5.00	5P	2-2390138-5	2390138-5			
8.25	6.25	3.75	4P	2-2390138-4	2390138-4			
7.00	5.00	2.50	3P	2-2390138-3	2390138-3			
5.75	3.75	1.25	2P	2-2390138-2	2390138-2			

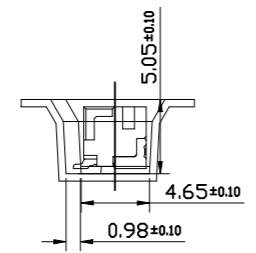
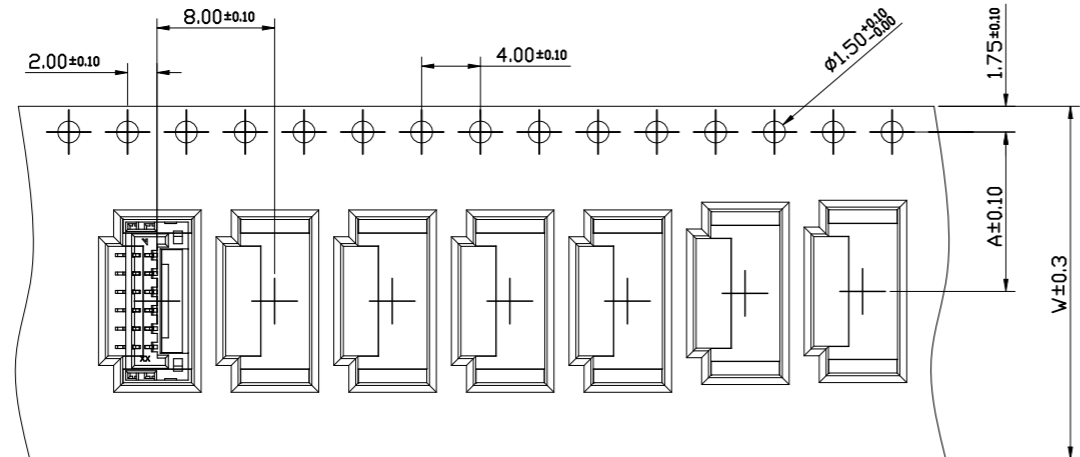
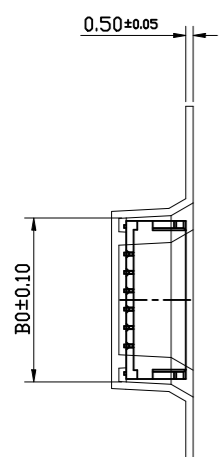
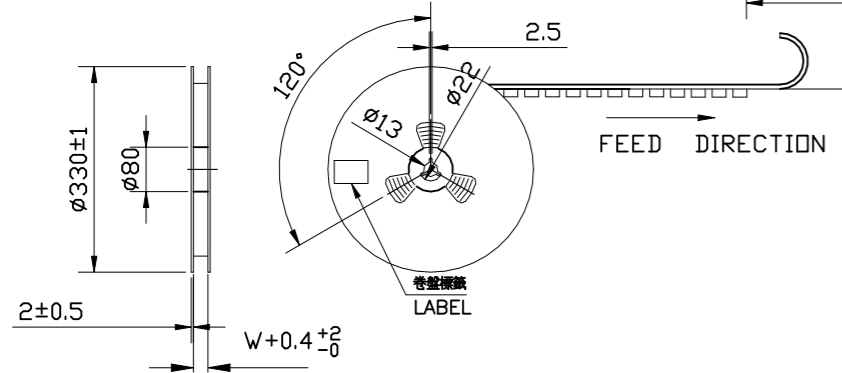
THIS DRAWING IS A CONTROLLED DOCUMENT.		DWN Tommy Qian 12APR2021	TE Connectivity 1.25mm PITCH WT B Conn. SMT V				
DIMENSIONS: mm	TOLERANCES UNLESS OTHERWISE SPECIFIED:	CHK Niki Shi 12APR2021				APVD Niki Shi 12APR2021	NAME
	0 PLC ± 0.5 1 PLC ± 0.25 2 PLC ± 0.15 3 PLC ± 0.1 4 PLC ± - ANGLES ± 2°	PRODUCT SPEC				APPLICATION SPEC	SIZE
MATERIAL	FINISH	WEIGHT				RESTRICTED TO	
NOTE 1	NOTE 2	N/A	A300779	C-2390138			
CUSTOMER DRAWING		SCALE	SHEET	REV			

REVISIONS

P	LTR	DESCRIPTION	DATE	DWN	APVD
-	-	SEE SHEET 1	-	-	-



- NOTES:
- 10 SPROCKET HOLE PITCH CUMULATIVE TOLERANCE: ±0.20mm
  - CARRIER CAMBER NOT TO EXCEED 1mm IN 100mm.
  - ALL DIMENSIONS MEET EIA-481 REQUIREMENTS.
  - MATERIAL: BLACK ANTI-STATIC POLYSTYRENE.
  - THICKNESS: 0.50±0.05 mm.
  - PACKING LENGTH PER 13" REEL : 13.0 METERS.
  - COMPONENT LOAD PER 13" REEL : 1600 PCS.



17.29			11P	7-2390138-1	5-2390138-1
16.04			10P	7-2390138-0	5-2390138-0
14.79			9P	6-2390138-9	4-2390138-9
13.54			8P	6-2390138-8	4-2390138-8
12.29			7P	6-2390138-7	4-2390138-7
11.04			6P	6-2390138-6	4-2390138-6
9.79			5P	6-2390138-5	4-2390138-5
8.54			4P	6-2390138-4	4-2390138-4
7.29			3P	6-2390138-3	4-2390138-3
6.04			2P	6-2390138-2	4-2390138-2
17.29			11P	3-2390138-1	1-2390138-1
16.04			10P	3-2390138-0	1-2390138-0
14.79			9P	2-2390138-9	2390138-9
13.54			8P	2-2390138-8	2390138-8
12.29			7P	2-2390138-7	2390138-7
11.04			6P	2-2390138-6	2390138-6
9.79			5P	2-2390138-5	2390138-5
8.54			4P	2-2390138-4	2390138-4
7.29			3P	2-2390138-3	2390138-3
6.04			2P	2-2390138-2	2390138-2
DIM B0	DIM F	DIM W	POS	GOLD FLASH MATT TIN	
				PLATING SPEC	
				PART NUMBER	

CKT.	W	F	B0
2			6.04
3	16.00	7.50	7.29
4			8.54
5			9.79
6			11.04
7			12.29
8	24.00	11.50	13.54
9			14.79
10			16.04
11			17.29

THIS DRAWING IS A CONTROLLED DOCUMENT.

DIMENSIONS:	TOLERANCES UNLESS OTHERWISE SPECIFIED:
mm	0 PLC ± 0.5
	1 PLC ± 0.25
	2 PLC ± 0.15
	3 PLC ± 0.1
	4 PLC ± -
	ANGLES ± 2'
MATERIAL	FINISH
NOTE 1	NOTE 2

STE TE Connectivity

1.25mm PITCH WTB Conn. SMT V

APVD: Tommy Qian (12APR2021), Niki Shi (12APR2021)

APVD: Niki Shi (12APR2021)

PRODUCT SPEC: -

APPLICATION SPEC: -

WEIGHT: -

SIZE: A3, CAGE CODE: 00779, DRAWING NO: C-2390138

CUSTOMER DRAWING, SCALE: N/A, SHEET: 2 OF 4, REV: A

4

3

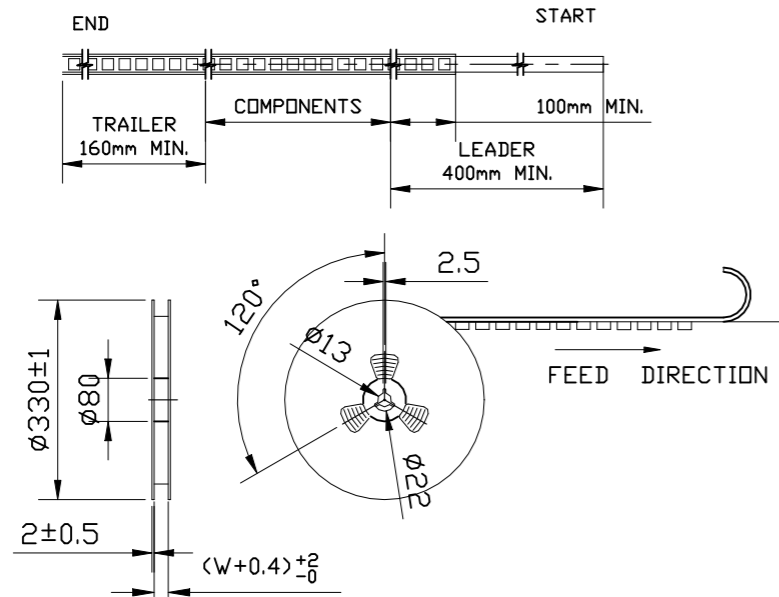
2

1

© 2021 TE Connectivity. All Rights Reserved.

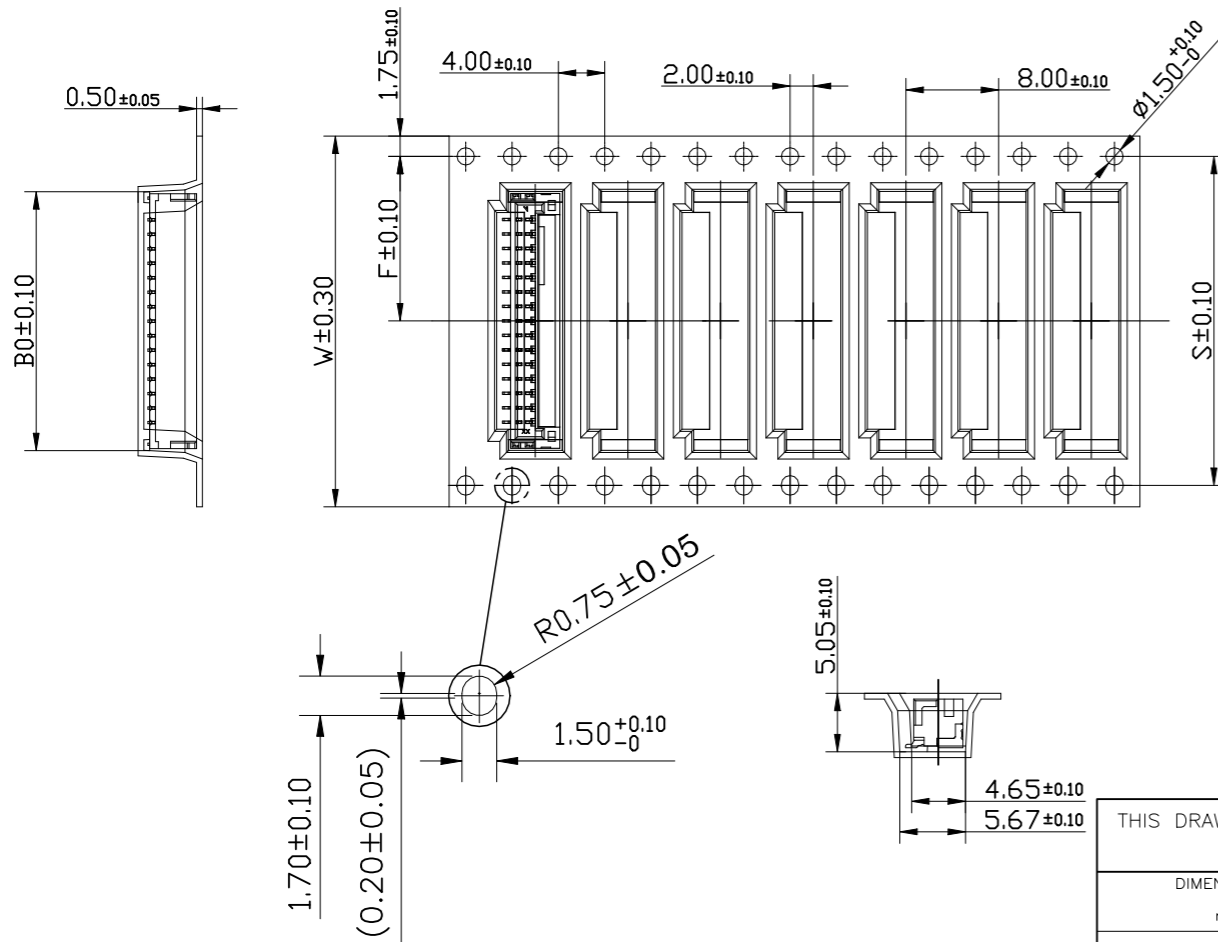
REVISIONS

P	LTR	DESCRIPTION	DATE	DWN	APVD
-	-	SEE SHEET 1	-	-	-



NOTES:

1. 10 SPROCKET HOLE PITCH CUMULATIVE TOLERANCE.±0.20mm
2. CARRIER CAMBER NOT TO EXCEED 1mm IN 100mm.
3. ALL DIMENSIONS MEET EIA-481 REQUIREMENTS.
4. MATERIAL: BLACK ANTI-STATIC POLYSTYRENE.
5. THICKNESS: 0.50±0.05 mm.
6. PACKING LENGHT PER 13" REEL : 13.0 METERS.
7. COMPONENT LOAD PER 13" REEL : 1600 PCS.



CKT.	W	F	S	B0
12				18.54
13	32.00	14.20	28.40	19.79
14				21.04
15				22.29

22.29				15P	7-2390138-5	5-2390138-5
21.04	28.40	14.20	32.00	14P	7-2390138-4	5-2390138-4
19.79				13P	7-2390138-3	5-2390138-3
18.54				12P	7-2390138-2	5-2390138-2
22.29				15P	3-2390138-5	1-2390138-5
21.04	28.40	14.20	32.00	14P	3-2390138-4	1-2390138-4
19.79				13P	3-2390138-3	1-2390138-3
18.54				12P	3-2390138-2	1-2390138-2
				GOLD FLASH		MATT TIN
				PLATING SPEC		
				PART NUMBER		
DIM B0	DIM S	DIM F	DIM W	POS		

THIS DRAWING IS A CONTROLLED DOCUMENT.

DIMENSIONS:	TOLERANCES UNLESS OTHERWISE SPECIFIED:
mm	
	0 PLC ± 0.5
	1 PLC ± 0.25
	2 PLC ± 0.15
	3 PLC ± 0.1
	4 PLC ± -
	ANGLES ± 2'

MATERIAL NOTE 1 FINISH NOTE 2

DWN	12APR2021	Tommy Qian
CHK	12APR2021	Niki Shi
APVD	12APR2021	Niki Shi
PRODUCT SPEC	-	
APPLICATION SPEC	-	
WEIGHT	-	
CUSTOMER DRAWING		



TE Connectivity

NAME				1.25mm PITCH WTB Conn. SMT V		
SIZE	CAGE CODE	DRAWING NO	RESTRICTED TO			
A3	00779	C=2390138	-			
SCALE	N/A	SHEET	3	OF	4	REV
			A			

NOTE:

1. STAPLES SHOULD ONLY BE USED TO SET UP CARTON  
ALL CARTONS CLOSURES MUST BE DONE WITH TAPE.
2. FILL PACKAGING REEL WITH THE QUANTITIES AS INDICATED

4

3

2

1

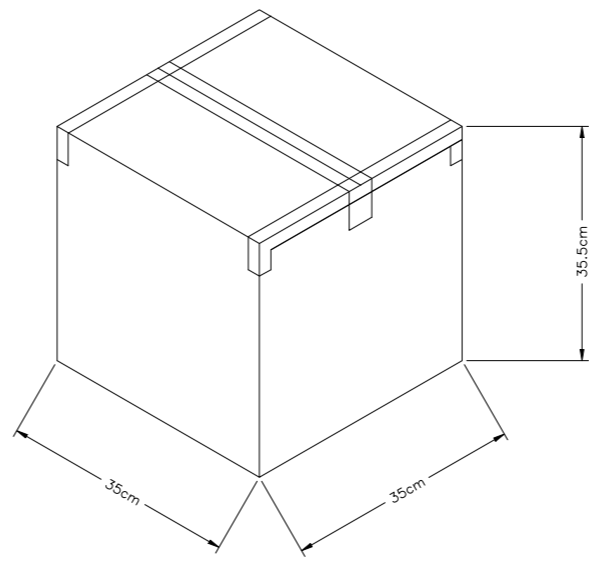
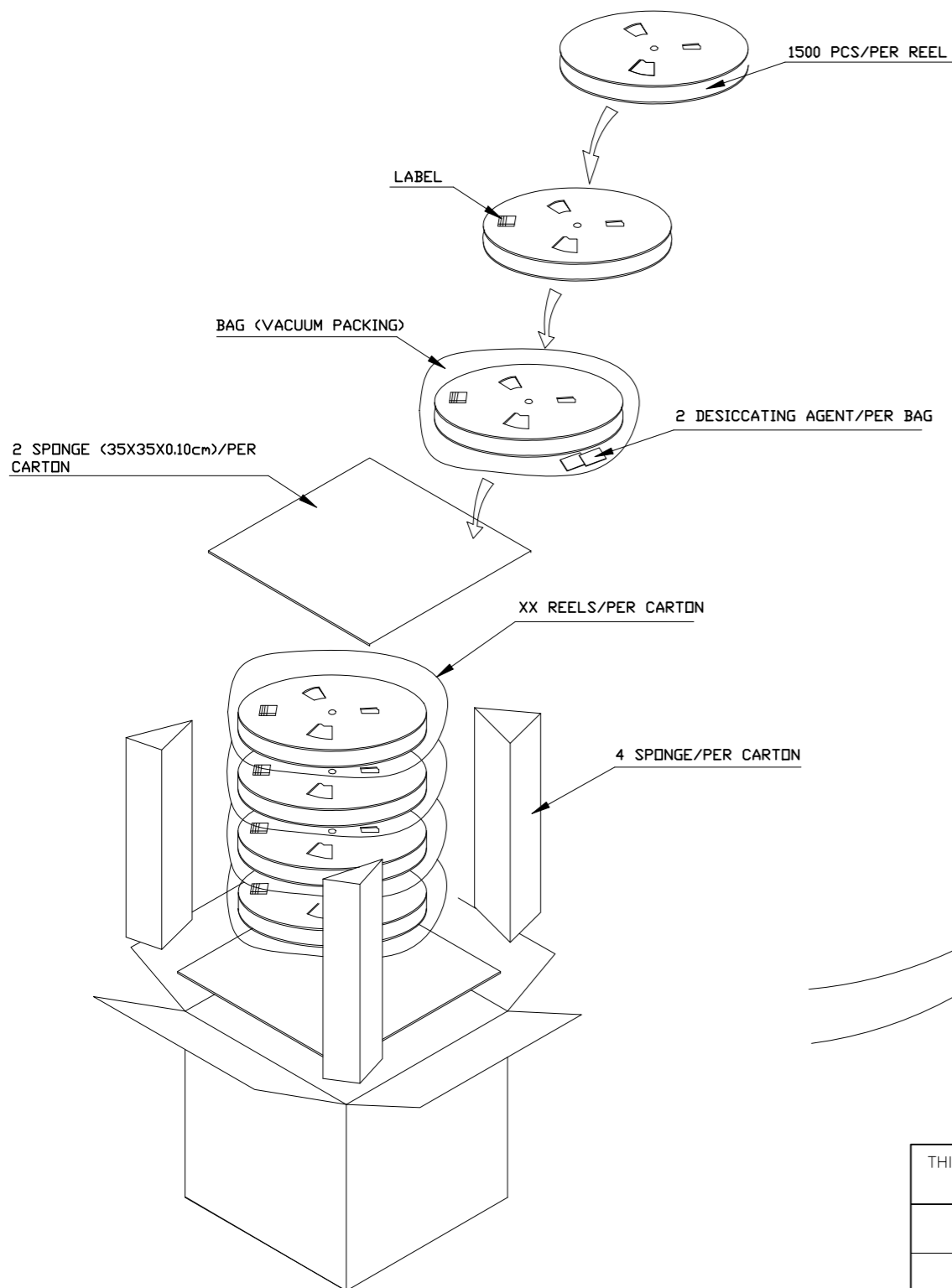
© 2021 TE Connectivity. All Rights Reserved.

REVISIONS

P	LTR	DESCRIPTION	DATE	DWN	APVD
-	-	SEE SHEET 1	-	-	-

NOTE:


1. STAPLES SHOULD ONLY BE USED TO SET UP CARTON  
ALL CARTONS CLOSURES MUST BE DONE WITH TAPE.
2. FILL PACKAGING REEL WITH THE QUANTITIES AS INDICATED



8000(PCS)	1600(PCS)	5	15P	7-2390138-5	5-2390138-5
8000(PCS)	1600(PCS)	5	14P	7-2390138-4	5-2390138-4
8000(PCS)	1600(PCS)	5	13P	7-2390138-3	5-2390138-3
8000(PCS)	1600(PCS)	5	12P	7-2390138-2	5-2390138-2
8000(PCS)	1600(PCS)	5	11P	7-2390138-1	5-2390138-1
8000(PCS)	1600(PCS)	5	10P	7-2390138-0	5-2390138-0
8000(PCS)	1600(PCS)	5	9P	6-2390138-9	4-2390138-9
8000(PCS)	1600(PCS)	5	8P	6-2390138-8	4-2390138-8
8000(PCS)	1600(PCS)	5	7P	6-2390138-7	4-2390138-7
8000(PCS)	1600(PCS)	5	6P	6-2390138-6	4-2390138-6
16000(PCS)	1600(PCS)	10	5P	6-2390138-5	4-2390138-5
16000(PCS)	1600(PCS)	10	4P	6-2390138-4	4-2390138-4
16000(PCS)	1600(PCS)	10	3P	6-2390138-3	4-2390138-3
16000(PCS)	1600(PCS)	10	2P	6-2390138-2	4-2390138-2
8000(PCS)	1600(PCS)	5	15P	3-2390138-5	1-2390138-5
8000(PCS)	1600(PCS)	5	14P	3-2390138-4	1-2390138-4
8000(PCS)	1600(PCS)	5	13P	3-2390138-3	1-2390138-3
8000(PCS)	1600(PCS)	5	12P	3-2390138-2	1-2390138-2
8000(PCS)	1600(PCS)	5	11P	3-2390138-1	1-2390138-1
8000(PCS)	1600(PCS)	5	10P	3-2390138-0	1-2390138-0
8000(PCS)	1600(PCS)	5	9P	2-2390138-9	2390138-9
8000(PCS)	1600(PCS)	5	8P	2-2390138-8	2390138-8
8000(PCS)	1600(PCS)	5	7P	2-2390138-7	2390138-7
8000(PCS)	1600(PCS)	5	6P	2-2390138-6	2390138-6
16000(PCS)	1600(PCS)	10	5P	2-2390138-5	2390138-5
16000(PCS)	1600(PCS)	10	4P	2-2390138-4	2390138-4
16000(PCS)	1600(PCS)	10	3P	2-2390138-3	2390138-3
16000(PCS)	1600(PCS)	10	2P	2-2390138-2	2390138-2
PARTS PER CARTON	PARTS PER REEL	REELS PER CARTON	POS	GOLD FLASH	MATT TIN
				PLATING SPEC	
				PART NUMBER	

THIS DRAWING IS A CONTROLLED DOCUMENT.

DIMENSIONS: mm	TOLERANCES UNLESS OTHERWISE SPECIFIED:
0 PLC ± 0.5	1 PLC ± 0.25
2 PLC ± 0.15	3 PLC ± 0.1
4 PLC ± -	ANGLES ± 2'
MATERIAL NOTE 1	FINISH NOTE 2

DWN Tommy Qian 12APR2021	 TE Connectivity 1.25mm PITCH WTB Conn. SMT V -	NAME		
CHK Niki Shi 12APR2021		PRODUCT SPEC		
APVD Niki Shi 12APR2021		APPLICATION SPEC		
WEIGHT -	SIZE A3	CAGE CODE 00779	DRAWING NO C=2390138	RESTRICTED TO -
CUSTOMER DRAWING	SCALE N/A	SHEET 4 of 4	REV A	

## X-ON Electronics

Largest Supplier of Electrical and Electronic Components

*Click to view similar products for [Headers & Wire Housings](#) category:*

*Click to view products by [TE Connectivity](#) manufacturer:*

Other Similar products are found below :

[892-18-020-10-001101](#) [58102-G61-06LF](#) [582553-1](#) [0009485154](#) [009176003701906](#) [0050291907](#) [LY20-4P-DT1-P1E-BR](#) [02.125.8002.8](#)  
[609-3404](#) [61062-3](#) [61082-181009](#) [622-3653LF](#) [63453-116](#) [636-1030](#) [636-1427](#) [636-3427](#) [636-4007](#) [641938-9](#) [641991-4](#) [644827-2](#) [65817-](#)  
[010LF](#) [65817-015LF](#) [65863-015LF](#) [66207-023LF](#) [67095-007LF](#) [67601157](#) [68645-018](#) [68648-049](#) [70.362.1628.0](#) [70-4210](#) [70-4226B](#) [70-](#)  
[4853B](#) [707-5020](#) [707-5028](#) [71.350.2428.0](#) [71918-208LF](#) [71961-016LF](#) [733-134](#) [733-162](#) [754199-000](#) [760-3052](#) [787-8014-00](#) [79531-3000](#)  
[FCN-360C032-B](#) [FCN-367T-T012/H](#) [FCN-723D010/2](#) [80.063.4001.1](#) [800-90-001-10-001000](#) [800-90-010-10-002000](#) [801-43-002-10-013000](#)