



Connectors > Rectangular Connectors > Connector Contacts



Contact Type: **Pin**

Contact Mating Area Plating Material: **Gold**

Contact Termination Area Plating Material: **Gold**

Operating Voltage: **115 VDC**

Features

Product Type Features

| | |
|-----------------------------------|----------------|
| Barrel Type | Crimp |
| Connector System | Cable-to-Cable |
| Wire/Cable Type | Strip |
| Sealable | Yes |
| Connector & Contact Terminates To | Wire & Cable |

Electrical Characteristics

| | |
|-------------------|---------|
| Operating Voltage | 115 VDC |
|-------------------|---------|

Body Features

| | |
|--|--------------|
| Lattice Contact Mating Area Plating Material | Gold |
| Material | Copper Alloy |

Contact Features

| | |
|---|--------------|
| Contact Type | Pin |
| Contact Mating Area Plating Material | Gold |
| Contact Termination Area Plating Material | Gold |
| Contact Size | 12 |
| Contact Classification | Signal |
| Contact Base Material | Copper Alloy |
| Contact Current Rating (Max) | 23 A |

Termination Features



Termination Method to Wire & Cable

Crimp

Mechanical Attachment

Contact Retention

With

Contact Retention Type

Spring

Dimensions

Wire Size

16 – 12 AWG

Usage Conditions

Operating Temperature Range

-65 – 175 °C[-85 – 347 °F]

Operation/Application

Circuit Application

Power & Signal

Product Compliance

For compliance documentation, visit the product page on [TE.com](#)>

EU RoHS Directive 2011/65/EU

Out of Scope

EU ELV Directive 2000/53/EC

Out of Scope

China RoHS 2 Directive MIIT Order No 32, 2016

Restricted Materials Above Threshold

EU REACH Regulation (EC) No. 1907/2006

Current ECHA Candidate List: JAN 2019 (197)
Candidate List Declared Against: JAN 2019 (197)

Halogen Content

Low Halogen - Br, Cl, F, I < 900 ppm per homogenous material. Also BFR/CFR/PVC Free

Solder Process Capability

Not reviewed for solder process capability

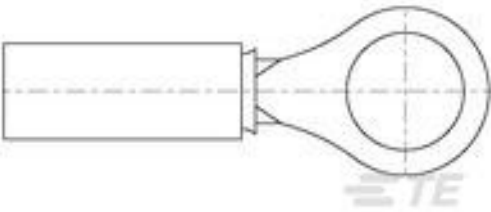
Product Compliance Disclaimer

This information is provided based on reasonable inquiry of our suppliers and represents our current actual knowledge based on the information they provided. This information is subject to change. The part numbers that TE has identified as EU RoHS compliant have a maximum concentration of 0.1% by weight in homogenous materials for lead, hexavalent chromium, mercury, PBB, PBDE, DBP, BBP, DEHP, DIBP, and 0.01% for cadmium, or qualify for an exemption to these limits as defined in the Annexes of Directive 2011/65/EU (RoHS2). Finished electrical and electronic equipment products will be CE marked as required by Directive 2011/65/EU. Components may not be CE marked. Additionally, the part numbers that TE has identified as EU ELV compliant have a maximum concentration of 0.1% by weight in homogenous materials for lead, hexavalent chromium, and mercury, and 0.01% for cadmium, or qualify for an exemption to these limits as defined in the Annexes of Directive 2000/53/EC (ELV). Regarding the REACH Regulations, TE's information on SVHC in articles for this part number is still based on the European Chemical Agency (ECHA) 'Guidance on requirements for substances in articles' (Version: 2, April 2011), applying the 0.1% weight on weight concentration threshold at the finished product level. TE is aware of the European Court of Justice ruling of September 10th, 2015 also known as O5A (Once An Article Always An Article) stating that, in case of 'complex object', the threshold for a SVHC must be applied to both the product as a whole and simultaneously to each of the articles forming part of its composition. TE has evaluated this ruling based on the new ECHA "Guidance on requirements for substances in articles" (June 2017, version 4.0) and will be updating its statements accordingly.

Customers Also Bought



TE Part #1577647-1
TERMINAL RT PIDG PEEK
STRATO 10 AWG



TE Part #1577624-1
TERMINAL RT PIDG PEEK
STRATO 20 AWG



TE Part #
ZPF000000000003591
724-0001-16



TE Part #
ZPF000000000003592
724-0001-20



TE Part #D369-R99-NP0
369 9 WAY REC, NO
CONTACTS, PIN



TE Part #
ZPF000000000003596
724-0003-12




TE Part #1577646-1
TERMINAL RT PIDG PEEK
STRATO 10 AWG



TE Part #2000892-1
Fortis Zd 3Pr 10Col R/A
Right Module Asy



TE Part #CF7983-000
0022E0111-9



TE Part #695307-000
W-095-05

Documents

Datasheets & Catalog Pages

[DEUTSCH Contacts Quick Reference Guide](#)

English

Product Environmental Compliance

[REACH Substance Communication Document](#)

English

X-ON Electronics

Largest Supplier of Electrical and Electronic Components

Click to view similar products for [Circular MIL Spec Contacts](#) category:

Click to view products by [TE Connectivity](#) manufacturer:

Other Similar products are found below :

[006-1189-20](#) [M39029/106-616](#) [71-VEAM](#) [809-023](#) [809-111](#) [811393-000](#) [850-014](#) [97-45-1418P-4\(0920\)](#) [97-45-1418S-4](#) [D-602-0106CS076](#)
[AIC12-14P](#) [AIC16-16PG](#) [AIC8-12P](#) [AIC8-8SG](#) [AIC8-8SRAD](#) [1495044-1](#) [BACC47CP2T](#) [BACC47DP4](#) [BACC47GC1A](#) [BACC47GN1](#)
[16968/2C](#) [173-900245-91](#) [21-033909-028](#) [241611N001](#) [2560-220-2031](#) [27963-12T112](#) [27963-15T112](#) [27964-38T112](#) [2M809-118](#) [97-67-36-](#)
[20](#) [AIC12-16P](#) [AIC16-18PG](#) [AIC16-20PG](#) [AIC4-4PG](#) [AIC8-10P](#) [CE102S-18](#) [M39029/30-221](#) [M39029/30-222](#) [M39029/77-430](#) [416-2020-](#)
[088I](#) [MDM-21SH003B-F222](#) [48-100-5014P-02](#) [BACC47CN2](#) [BACC47CN3S](#) [BACC47GC3A](#) [BACC47GD3A](#) [BACC47GM1](#) [52G137 REV](#)
[A](#) [D-602-1116CS2727](#) [D-602-1117CS2727](#)