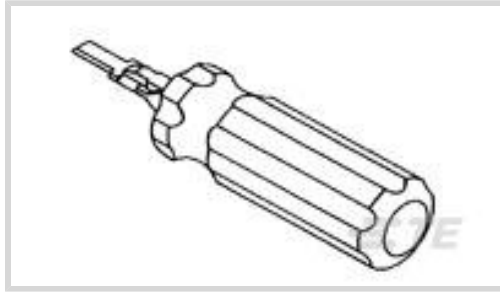




Application Tooling &gt; Insertion &amp; Extraction Tools

Insertion & Extraction Tool Type: **Contact Extraction**Insertion & Extraction Tool Application: **Contact-to-Housing**

## Features

### Product Type Features

Insertion & Extraction Tool Type	Contact Extraction
Insertion & Extraction Tool Application	Contact-to-Housing

## Product Compliance

[For compliance documentation, visit the product page on TE.com>](#)

EU RoHS Directive 2011/65/EU	Compliant
EU ELV Directive 2000/53/EC	Out of Scope
China RoHS 2 Directive MIIT Order No 32, 2016	No Restricted Materials Above Threshold
EU REACH Regulation (EC) No. 1907/2006	Current ECHA Candidate List: JAN 2021 (211) Candidate List Declared Against: JAN 2021 (211) Does not contain REACH SVHC
Halogen Content	Not Yet Reviewed for halogen content
Solder Process Capability	Not applicable for solder process capability

### Product Compliance Disclaimer

This information is provided based on reasonable inquiry of our suppliers and represents our current actual knowledge based on the information they provided. This information is subject to change. The part numbers that TE has identified as EU RoHS compliant have a maximum concentration of 0.1% by weight in homogenous materials for lead, hexavalent chromium, mercury, PBB, PBDE, DBP, BBP, DEHP, DIBP, and 0.01% for cadmium, or qualify for an exemption to these limits as defined in the Annexes of Directive 2011/65/EU (RoHS2). Finished electrical and electronic equipment products will be CE marked as required by Directive 2011/65/EU. Components may not be CE marked. Additionally, the part numbers that TE has identified as EU ELV compliant have a maximum concentration of 0.1% by weight in homogenous materials for lead, hexavalent chromium, and mercury, and 0.01% for cadmium, or qualify for an exemption to these limits as defined in the Annexes of Directive 2000/53/EC (ELV). Regarding the REACH Regulation, the information TE provides on SVHC in articles for this part number is based on the latest European Chemicals Agency (ECHA) 'Guidance on requirements for substances in articles' posted at this URL: <https://echa.europa.eu/guidance-documents/guidance-on-reach>

## Compatible Parts



Also in the Series | [Positive Lock 187](#)



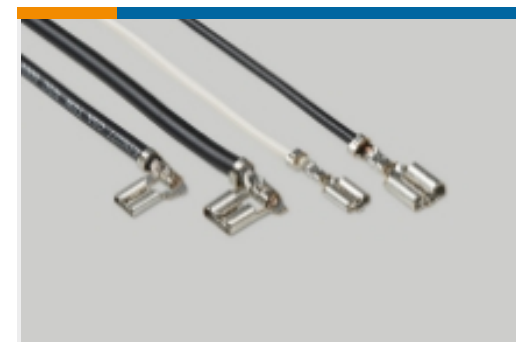
Crimp Terminal Housings(87)



Insertion &amp; Extraction Tools(2)



Insulation Boots &amp; Sleeves(9)



Quick Disconnects(56)

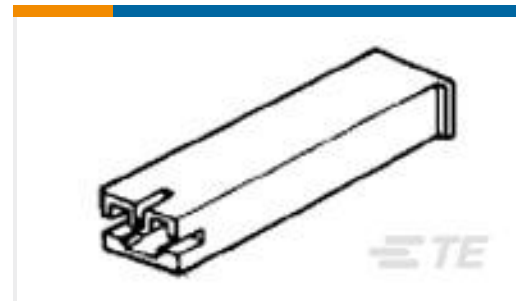
## Customers Also Bought



TE Part #1577647-1  
TERMINAL RT PIDG PEEK STRATO 10 AWG



TE Part #170362-3  
MINI UNIVERSAL M-N-L SOCKET



TE Part #172074-1  
187 HSG. PLMKII REC. NAT



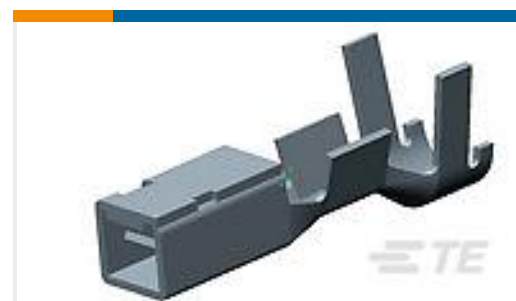
TE Part #170324-1  
187 PL MKII REC. 24-20AWG PTBR



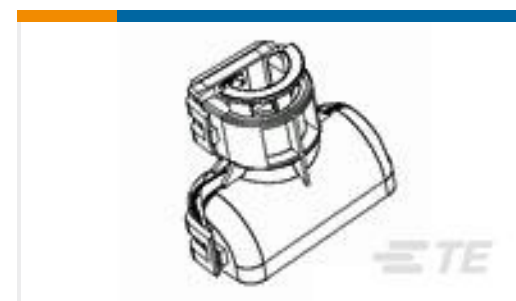
TE Part #1213068-6  
CRIMPER, WIRE



TE Part #1217836-1  
HEAVY DUTY BURNER CLIP ST



TE Part #1376348-2  
5MM POWER KEY CONN REC CONT M



TE Part #1718155-1  
COVER FOR 16 POS SOCKET HSG



TE Part #2-568176-5  
CRIMPER, WIRE (.050" 'F')



TE Part #ZPF000000000000553  
020-0020-00 B

## Documents

### Datasheets & Catalog Pages

[Crimp Term Whitepaper-Use the Right Tool 1-1773953-1](#)

English

[CRIMPING WHERE FORM MEETS FUNCTION](#)

English

[Insertion-Extraction-Tool-2345721-1](#)

English



**Instruction Sheets**

[Instruction Sheet \(non U.S.\)](#)

English

[Instruction Sheet \(non U.S.\)](#)

Japanese

[AMP EXTRACTION TOOL P/N724659-1/-2/-5 FOR EXTRACTING POSITIVE LOCK CONNECTOR CONTACTS INSTRUCTION SHEET](#)

English

[AMP EXTRACTION TOOL P/N724659-1/-2/-5 FOR EXTRACTING POSITIVE LOCK CONNECTOR CONTACTS INSTRUCTION SHEET](#)

Japanese

## X-ON Electronics

Largest Supplier of Electrical and Electronic Components

*Click to view similar products for [Extraction, Removal & Insertion Tools](#) category:*

*Click to view products by [TE Connectivity](#) manufacturer:*

Other Similar products are found below :

[M8196914-08](#) [768211-2](#) [809-131](#) [844751-2](#) [8-59558-2](#) [91018-1](#) [12014013](#) [12093647](#) [1-21048-0](#) [R282867020](#) [12093078](#) [1-21048-6](#)  
[12121897](#) [DCF.91.405.5LT](#) [1322](#) [15314260](#) [15350698](#) [15350707](#) [15430130](#) [1579018-4](#) [1643916-1](#) [1-679532-0](#) [1976593-3](#) [OUTEXT-0321](#)  
[2-1579008-3](#) [2-1579008-4](#) [229694-7](#) [231106-1](#) [241469](#) [91040-3](#) [91040-7](#) [965004-000](#) [965069-000](#) [1738219-1](#) [ET-JL05-16](#) [FG 0300 146](#)  
[3000](#) [FIT-6](#) [210S048](#) [2-1579007-9](#) [231879-1](#) [312138-3](#) [RJ11FODE](#) [356-162](#) [M8196914-10](#) [4-1579018-0](#) [430395-001](#) [483249-1](#) [5-](#)  
[1579007-2](#) [5-1579007-9](#) [BPR10](#)