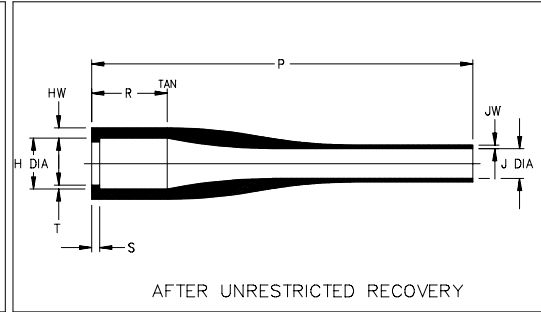
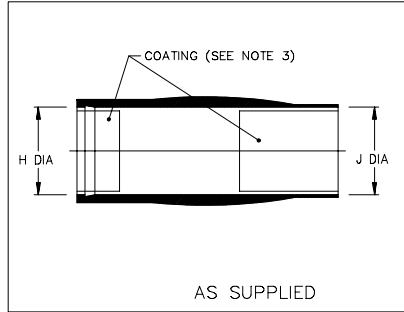


Thermofit[®] Molded Parts Specification Control Drawing

Part Number : 207W613 thru 667
Description : Boot, Straight

NOTES

- All dimensions are in $\frac{\text{inches}}{\text{[millimeters]}}$
- Dimensions appearing in table are as follows:
 - a - As Supplied
 - b - After Unrestricted Recovery
- Coating is optional. As supplied dimensions appearing in table are for uncoated parts. When coating is added, entry diameters will be reduced by .06 max.



PART NUMBER	H		J		P	R	S	T	HW	JW
	Min	Max	Min	Max						
	a	b	a	b						
207W613	.84 [21,3]	.55 [14,0]	.66 [16,8]	.21 [5,3]	5.30 [134,6]	1.10 [27,9]	.12 [3,0]	.06 [1,5]	.16 [4,1]	.04 [1,0]
207W623	1.00 [25,4]	.65 [16,5]	1.00 [25,4]	.33 [8,4]	6.00 [152,4]	1.20 [30,5]	.12 [3,0]	.06 [1,5]	.16 [4,1]	.06 [1,5]
207W634	1.30 [33,0]	.80 [20,3]	1.30 [33,0]	.43 [10,9]	6.00 [152,4]	1.20 [30,5]	.12 [3,0]	.06 [1,5]	.16 [4,1]	.06 [1,5]
207W644	1.70 [43,2]	.90 [22,9]	1.70 [43,2]	.56 [14,2]	6.90 [175,3]	1.50 [38,1]	.12 [3,0]	.06 [1,5]	.16 [4,1]	.08 [2,0]
207W656	2.10 [53,3]	1.10 [27,9]	2.10 [27,9]	.70 [17,8]	6.90 [175,3]	1.50 [38,1]	.12 [3,0]	.06 [1,5]	.16 [4,1]	.08 [2,0]
207W667	2.85 [72,4]	1.45 [36,8]	2.85 [72,4]	.95 [24,1]	7.24 [183,9]	1.60 [40,6]	.12 [3,0]	.06 [1,5]	.20 [5,1]	.10 [2,5]

Raychem

RAYCHEM CORPORATION
300 CONSTITUTION DRIVE
MENLO PARK, CALIFORNIA 94025
(415) 361-6055

Revision : L
Date : 9/17/92

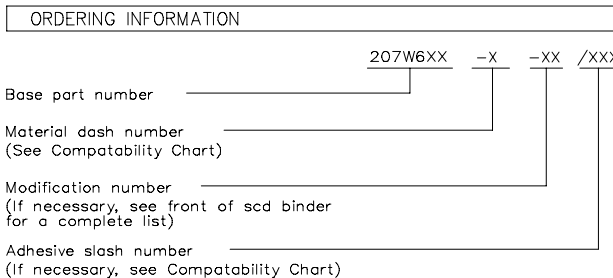
Part Number : 207W613 thru 667
Description : Boot, Straight

Thermofit[®] Molded Parts Specification Control Drawing

Part Number : 207W613 thru 667
Description : Boot, Straight

COMPATABILITY CHART					
MATERIAL DASH NO.	MATERIAL DESCRIPTION	RT SPEC	COATING SLASH NO.	COATING S NO.	COATING DESCRIPTION
-3	Polyolefin, Semi-rigid	RT-301	N/A		
-4	Polyolefin, Flexible	RT-1304	N/A		
-25	Elastomer, Fluid Resistant	RT-1325	/42;/86	S-1017;S-1048	Adhesive
-100	Polyolefin Semi-flexible ZEROFLEX [™]	RT-1323	/86;/184	S-1048;S-1030	Adhesive

*VITON is a Registered Trademark of Dupont



THIS DRAWING IS SUBJECT TO CHANGE WITHOUT NOTICE; CONSULT YOUR NEAREST FIELD REPRESENTATIVE FOR CURRENT REVISION

Raychem

RAYCHEM CORPORATION
300 CONSTITUTION DRIVE
MENLO PARK, CALIFORNIA 94025
(415) 361-6055

Revision : L
Date : 9/17/92

Part Number : 207W613 thru 667
Description : Boot, Straight

X-ON Electronics

Largest Supplier of Electrical and Electronic Components

Click to view similar products for [TE Connectivity](#) manufacturer:

Other Similar products are found below :

[D38999/24FJ4AN](#) [570416-000](#) [CLTEQ-M81CE-SSRELAY-4-20V](#) [4-1195131-0](#) [650069-000](#) [SMD100-2](#) [358838-000](#) [CB-1022B-78](#)
[RM707012](#) [RP410012](#) [MMS42](#) [1-640426-8](#) [2EDL4CM](#) [DTS20W19-11PD-3028-LC](#) [RM202615](#) [NC6-P104-06](#) [MSPS103B](#) [DTS26F21-41HE-LC](#) [DTS26F21-41AE](#) [DTS26F21-41PE-LC](#) [DTS26F21-11SE-3028-LC](#) [30DCB6](#) [1932144-1](#) [293545-4](#) [LVR125S](#) [MS27466T25F4PB](#)
[CKB-38-78010](#) [TR04AI-TINELLOCKRING](#) [1206SFF150F/63-2](#) [D38999/20JB35HA](#) [TE1500A2R2J](#) [D38999/20WC8BB](#) [DTS24F19-11SC-3028-LC](#) [D38999/24WG11HA](#) [D38999/24WG11HN](#) [MS27467T21F11H](#) [DJT16E21-11HA](#) [MS27467T21F35J](#) [MS27467T21F11J](#)
[MS27467T21F16H-LC](#) [MS27467T21F35H](#) [MS27467T21F41H-LC](#) [1206SFH150F/24-2](#) [RP330024](#) [DJT16E21-11PA-LC](#) [DJT16E21-11HA-LC](#) [DJT16E21-11AA](#) [MS27467T21B11JA](#) [DJT16E21-11JA](#) [MS27467T21B11JA-LC](#)