

PROPER USE GUIDELINES

Cumulative Trauma Disorders can result from the prolonged use of manually powered hand tools. Hand tools are intended for occasional use and low volume applications.

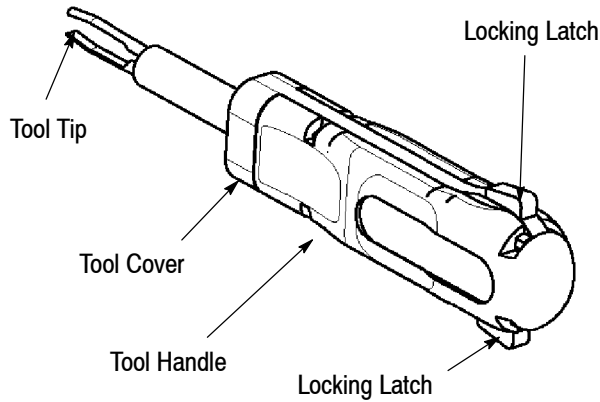


Figure 1

1. Depress the locking latches (Figure 1) on the extraction tool cover and slide the cover to expose the extraction tool tips.
2. While holding the connector, grasp the wire at the rear of the housing and push forward toward the mating end to disengage the contact locking lances from the connector cavity shoulder. See Figure 2.

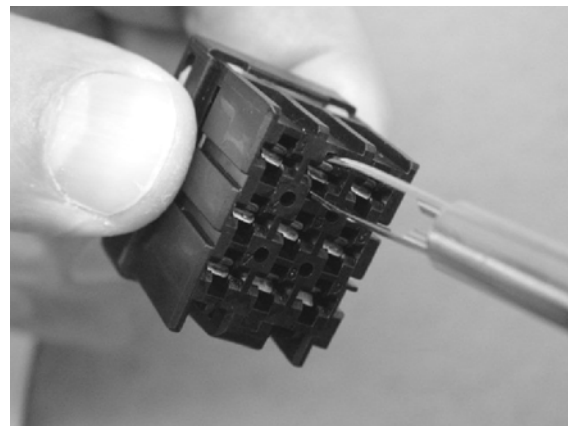


Figure 2

1. INTRODUCTION

This instruction sheet covers the use of Extraction Tool 1-1579007-6, which is designed to remove Junior Power Timer (JPT) receptacle contacts and 2.8mm tab contacts from Junior Power Timer (JTP) and 2.8mm housings.

NOTE *Dimensions on this sheet are in millimeters unless otherwise specified. Figures are not drawn to scale.*

2. DESCRIPTION

Extraction Tool 1-1579007-6 consists of a tool handle, tool cover with locking latches, and an extraction tool tip. Refer to Figure 1.

The extraction tool tips are designed to enter the contact cavity in front of the connector and release the receptacle contact. When the extraction tool tips are bottomed in the contact cavity, the tips depress the locking lances of the receptacle contact. The contact can be removed from the housing by manually pulling on the wire.

3. EXTRACTION PROCEDURE

NOTE *The secondary lock cover on the Junior Power Timer (JPT) and 2.8mm tab connectors must be in the pre-lock or open position before attempting to remove a contact.*

3. Fully insert the extraction tool tips into the windows of the circuit cavity until it bottoms inside the window. The tips of the tool should straddle the contact to be extracted. See Figure 3.
4. Remove the contact from the connector by pulling on the wire attached to it.

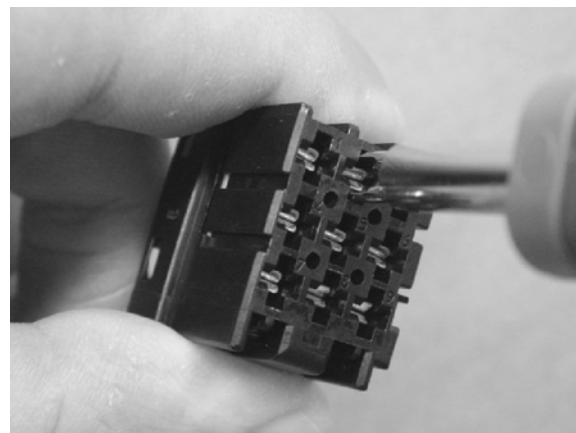


Figure 3

5. To protect the extraction tool tips when the tool is not being used, depress the locking latches on the extraction tool cover and slide the cover over tips.

4. TOOL INSPECTION AND MAINTENANCE

The extraction tool should conform to the dimensions indicated in Figure 4. It is recommended that the tool be inspected upon arrival and at regularly scheduled intervals to insure that the tool has not become damaged during handling.

Additional tools may be ordered from:

CUSTOMER SERVICE (38-35)
TYCO ELECTRONICS CORPORATION
P.O. BOX 3608
HARRISBURG, PA 17105-3608

5. REVISION SUMMARY

Updated document to corporate requirements.

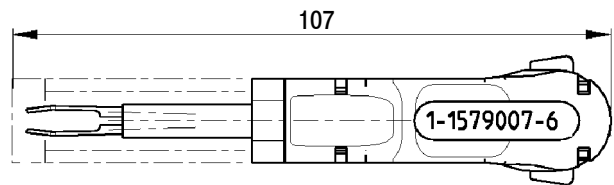
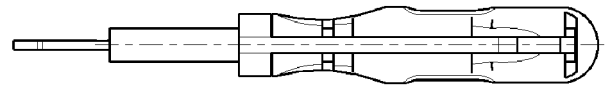
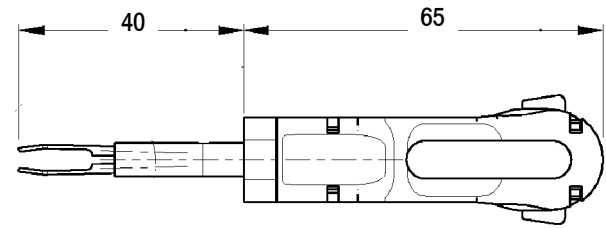


Figure 4

X-ON Electronics

Largest Supplier of Electrical and Electronic Components

Click to view similar products for [Other Tools](#) category:

Click to view products by [TE Connectivity](#) manufacturer:

Other Similar products are found below :

[568681-1](#) [CR-12FP4--260R](#) [5800-0090](#) [58061-1](#) [59085](#) [00-8273-RDPP](#) [593033](#) [593072](#) [593564100](#) [593575](#) [593593](#) [011349-000](#)
[CRCW08052740FRT1](#) [LUC-012S070DSM](#) [LUC-018S070DSP](#) [LUC-024S105DSP](#) [599-2021-3-NME](#) [599-JJ-2021-03](#) [00-5080-YWPP](#) [00-9089-RDPP](#) [00-9300-RDPP](#) [CRCW2010331JR02](#) [601-JJ-06](#) [601-SPB](#) [601YSY](#) [602-JJ-03](#) [602SPB](#) [603-JJ-07-FP](#) [603-JJY-04](#) [CRTN1013](#)
[CS16](#) [6-1579014-0](#) [6203](#) [6240-1](#) [M43435 TY 2 SZ 3 FIN B BLK](#) [M43435 TY 5 SZ 3 FIN C NAT](#) [M-5Z](#) [M6816](#) [660-29ABT1](#) [662508-1](#)
[CVHD-950X-93.333](#) [CW104-01X](#) [671-GP-04-KT39-73207](#) [CW307-01A](#) [CW30901A](#) [CW6211201A](#) [690124-7](#) [690191-1](#) [690191-3](#) [690317-](#)