

THIS DRAWING IS UNPUBLISHED.

RELEASED FOR PUBLICATION

© COPYRIGHT -

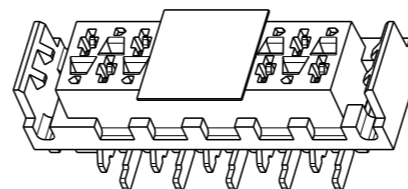
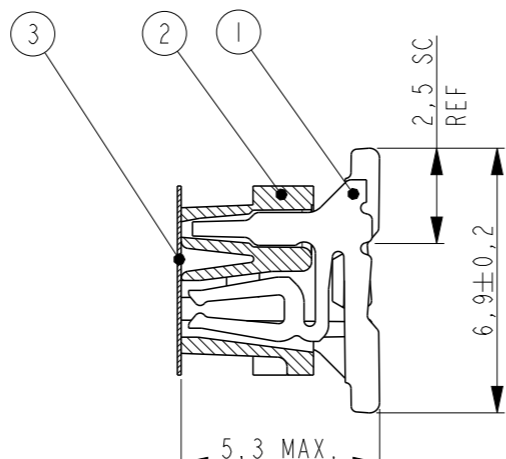
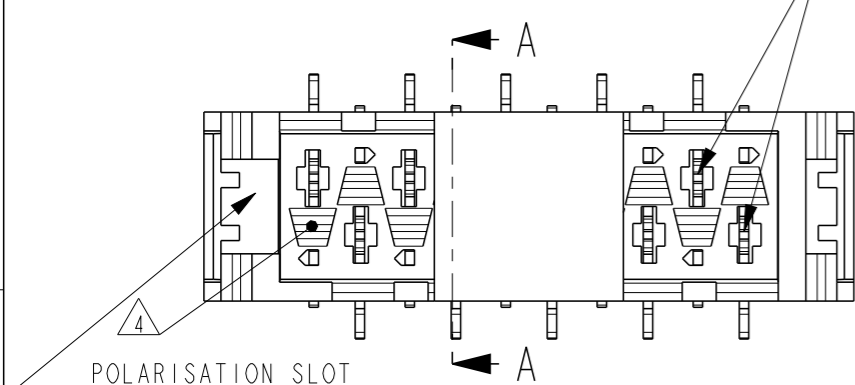
ALL RIGHTS RESERVED.

LOC DIST

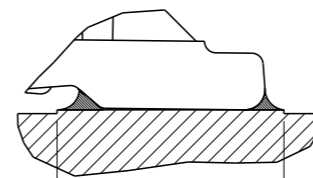
REVISIONS

P	LTR	DESCRIPTION	DATE	DWN	APVD
	A	RELEASE TO PRODUCTION	18DEC2014	NV	PS

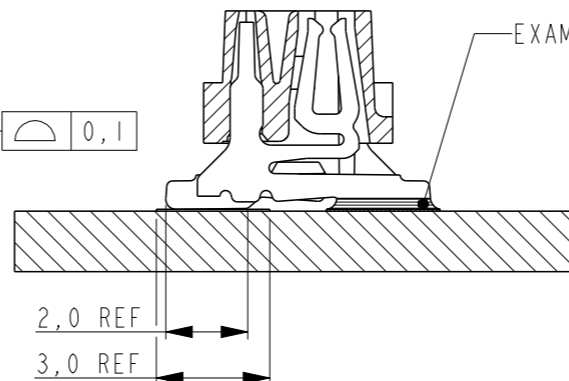
REFERENCE MATING INTERFACE PATTERN:
1,27 STAGGERED PITCH x 1,5 ROW-DISTANCE.



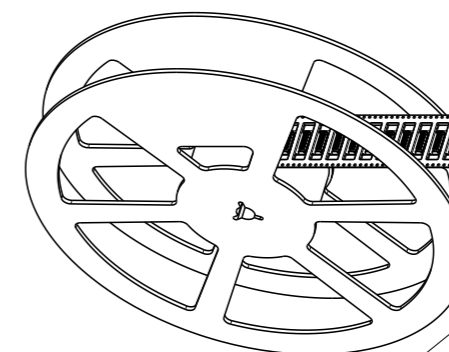
SCALE 3:1



SOLDER DETAIL
SCALE 10:1



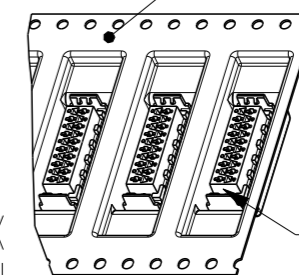
EXAMPLE SOLDER JOINT



SEE DETAIL X

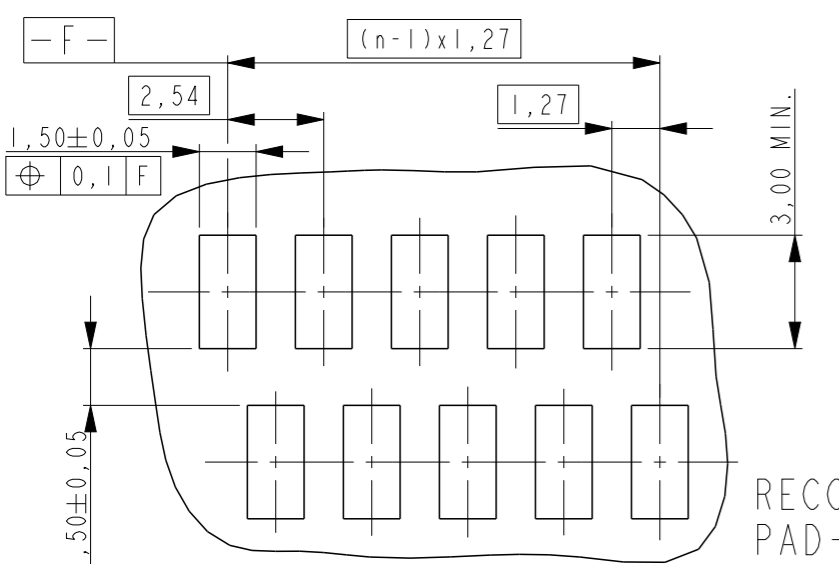
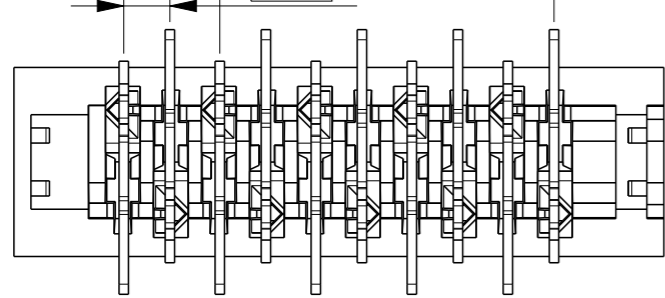
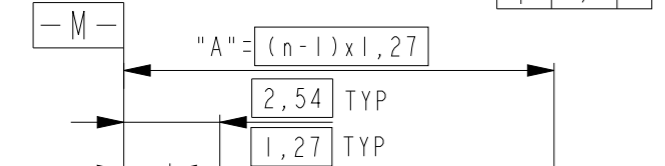
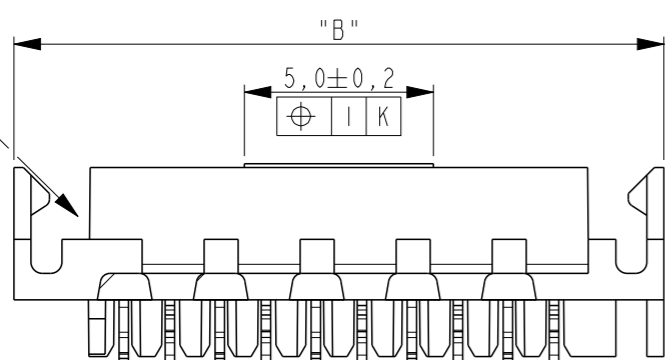
USER DIRECTION OF FEED

ACCORDING EIA-481/DIN IEC 286



DETAIL X
SCALE 1:1

POLARIZATION-SLOT
ON THIS SIDE.



RECOMMENDED PC-BOARD
PAD-LAYOUT TOP VIEW

NOTES:

- 1 TAPE FOR VACUUM P&P ONLY FOR DASH NUMBERS 7- /8- /9-
- 2 FOR PACKAGING SEE SHEET 2 AND 3
- 3 WITHOUT VACUUM TAPE.
- 4 CORING-OUTS FOR MANUFACTURING PURPOSE ONLY.
SHAPE MAY VARY, BUT IS NOT FUNCTIONAL FOR THE APPLICATION.
- 5 SHOWN IS A 10 POSITION CONNECTOR.

Item no.	Description	Material	Finish
3	PICK & PLACE TAPE	KAPTON	AMBER TRANSPARENT
2	FEMALE HOUSING	POLYAMIDE 4/6,GF	BLACK
1	FEMALE CONTACT	TIN BRASS	TIN(3-5µ) OVER NICKEL

THIS DRAWING IS A CONTROLLED DOCUMENT.	
DIMENSIONS: mm	TOLERANCES UNLESS OTHERWISE SPECIFIED:
	0 PLC ±-
	1 PLC ±-
	2 PLC ±-
	3 PLC ±-
	4 PLC ±-
	ANGLES ±-
MATERIAL SEE TABLE	FINISH SEE TABLE

DWN	25SEP2014
CHK	26SEP2014
APVD	26SEP2014
PRODUCT SPEC	108-32087
APPLICATION SPEC	114-13318
WEIGHT	-

 TE Connectivity		NAME	
		MICRO-MATCH VALUE LINE FEMALE-ON-BOARD TOP-ENTRY, SMD CONNECTOR WITH LATCHES	
SIZE	CAGE CODE	DRAWING NO	RESTRICTED TO
A3	00779	2823056	-
Customer Drawing		SCALE 5:1	SHEET 1 OF 3 REV A

THIS DRAWING IS UNPUBLISHED.

RELEASED FOR PUBLICATION

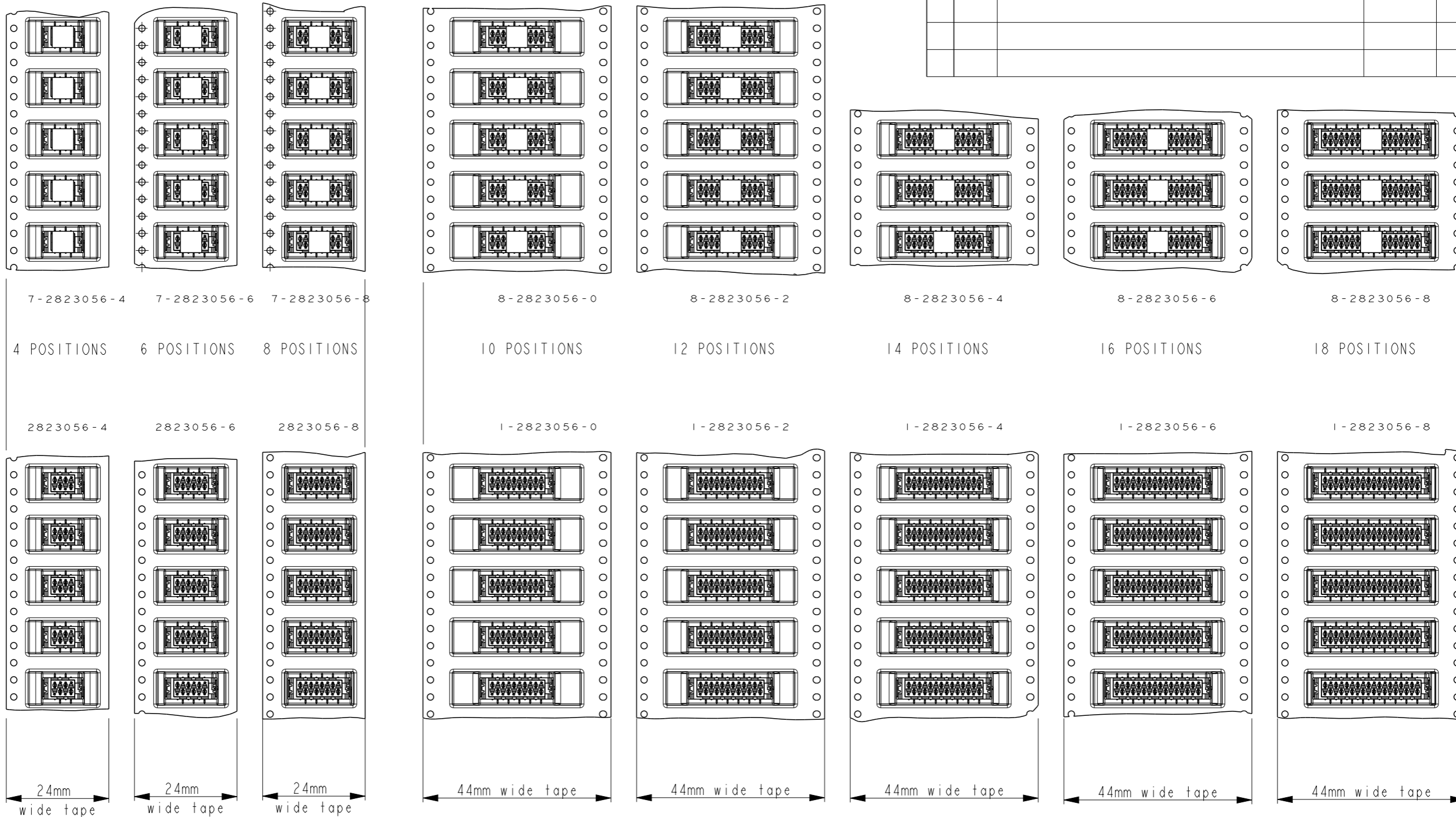
© COPYRIGHT -

ALL RIGHTS RESERVED.

LOC - DIST -

REVISIONS

P	LTR	DESCRIPTION	DATE	DWN	APVD
-	-	SEE SHEET 1	-	-	-



THIS DRAWING IS A CONTROLLED DOCUMENT.

DIMENSIONS: mm	TOLERANCES UNLESS OTHERWISE SPECIFIED:
	0 PLC ±-
	1 PLC ±-
	2 PLC ±-
	3 PLC ±-
	4 PLC ±-
	ANGLES ±-
MATERIAL -	FINISH -

DWN	25SEP2014
CHK	Nagashree_V
APVD	26SEP2014
PRODUCT SPEC	Prashanth_S
APPLICATION SPEC	Jayanth_K
WEIGHT	108-32087
	114-13318
	-

TE Connectivity		NAME	
		MICRO-MATCH VALUE LINE FEMALE-ON-BOARD TOP-ENTRY, SMD CONNECTOR WITH LATCHES.	
SIZE	CAGE CODE	DRAWING NO	RESTRICTED TO
A3	00779	C-2823056	-

Customer Drawing	SCALE 4:1	SHEET 2 OF 3	REV A
------------------	-----------	--------------	-------

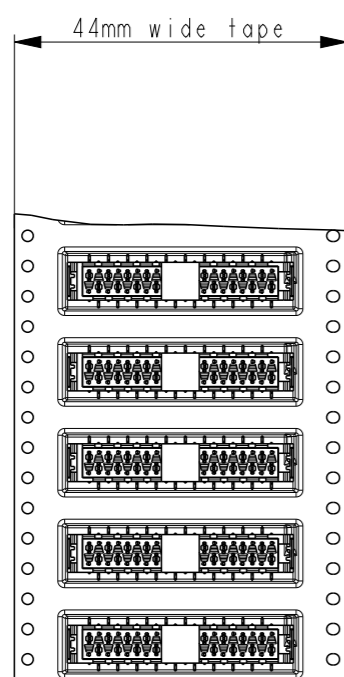
THIS DRAWING IS UNPUBLISHED.

RELEASED FOR PUBLICATION

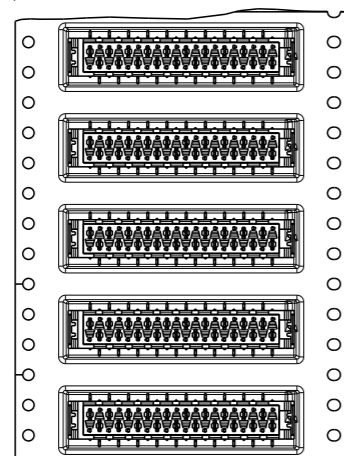
© COPYRIGHT -

ALL RIGHTS RESERVED.

LOC	DIST	REVISIONS					
		P	LTR	DESCRIPTION	DATE	DWN	APVD
-	-		-	SEE SHEET 1	-	-	-



9-2823056-0
 20 POSITIONS
 2-2823056-0



THIS DRAWING IS A CONTROLLED DOCUMENT.		DWN Nagashree.V 25SEP2015																
DIMENSIONS: mm		CHK Prashanth.S 26SEP2014																
TOLERANCES UNLESS OTHERWISE SPECIFIED:		APVD JAYANTH 26SEP2014	NAME MICRO-MATCH VALUE LINE FEMALE-ON-BOARD TOP-ENTRY, SMD CONNECTOR WITH LATCHES.															
<table border="0"> <tr><td>0 PLC</td><td>±</td></tr> <tr><td>1 PLC</td><td>±</td></tr> <tr><td>2 PLC</td><td>±</td></tr> <tr><td>3 PLC</td><td>±</td></tr> <tr><td>4 PLC</td><td>±</td></tr> <tr><td>ANGLES</td><td>±</td></tr> </table>		0 PLC	±	1 PLC	±	2 PLC	±	3 PLC	±	4 PLC	±	ANGLES	±	PRODUCT SPEC 108-32087	SIZE A3	CAGE CODE 00779	DRAWING NO C-2823056	RESTRICTED TO -
0 PLC	±																	
1 PLC	±																	
2 PLC	±																	
3 PLC	±																	
4 PLC	±																	
ANGLES	±																	
MATERIAL -	FINISH -	APPLICATION SPEC 114-13318	SCALE 4:1		SHEET 3 OF 3	REV A												
		WEIGHT -	Customer Drawing															

X-ON Electronics

Largest Supplier of Electrical and Electronic Components

Click to view similar products for [TE Connectivity](#) manufacturer:

Other Similar products are found below :

[D38999/24FJ4AN](#) [570416-000](#) [CLTEQ-M81CE-SSRELAY-4-20V](#) [4-1195131-0](#) [650069-000](#) [SMD100-2](#) [358838-000](#) [CB-1022B-78](#)
[RM707012](#) [RP410012](#) [MMS42](#) [1-640426-8](#) [2EDL4CM](#) [DTS20W19-11PD-3028-LC](#) [RM202615](#) [NC6-P104-06](#) [MSPS103B](#) [DTS26F21-41HE-LC](#) [DTS26F21-41AE](#) [DTS26F21-41PE-LC](#) [DTS26F21-11SE-3028-LC](#) [30DCB6](#) [1932144-1](#) [293545-4](#) [LVR125S](#) [MS27466T25F4PB](#)
[CKB-38-78010](#) [TR04AI-TINELLOCKRING](#) [1206SFF150F/63-2](#) [D38999/20JB35HA](#) [TE1500A2R2J](#) [D38999/20WC8BB](#) [DTS24F19-11SC-3028-LC](#) [D38999/24WG11HA](#) [D38999/24WG11HN](#) [MS27467T21F11H](#) [DJT16E21-11HA](#) [MS27467T21F35J](#) [MS27467T21F11J](#)
[MS27467T21F16H-LC](#) [MS27467T21F35H](#) [MS27467T21F41H-LC](#) [1206SFH150F/24-2](#) [RP330024](#) [DJT16E21-11PA-LC](#) [DJT16E21-11HA-LC](#) [DJT16E21-11AA](#) [MS27467T21B11JA](#) [DJT16E21-11JA](#) [MS27467T21B11JA-LC](#)