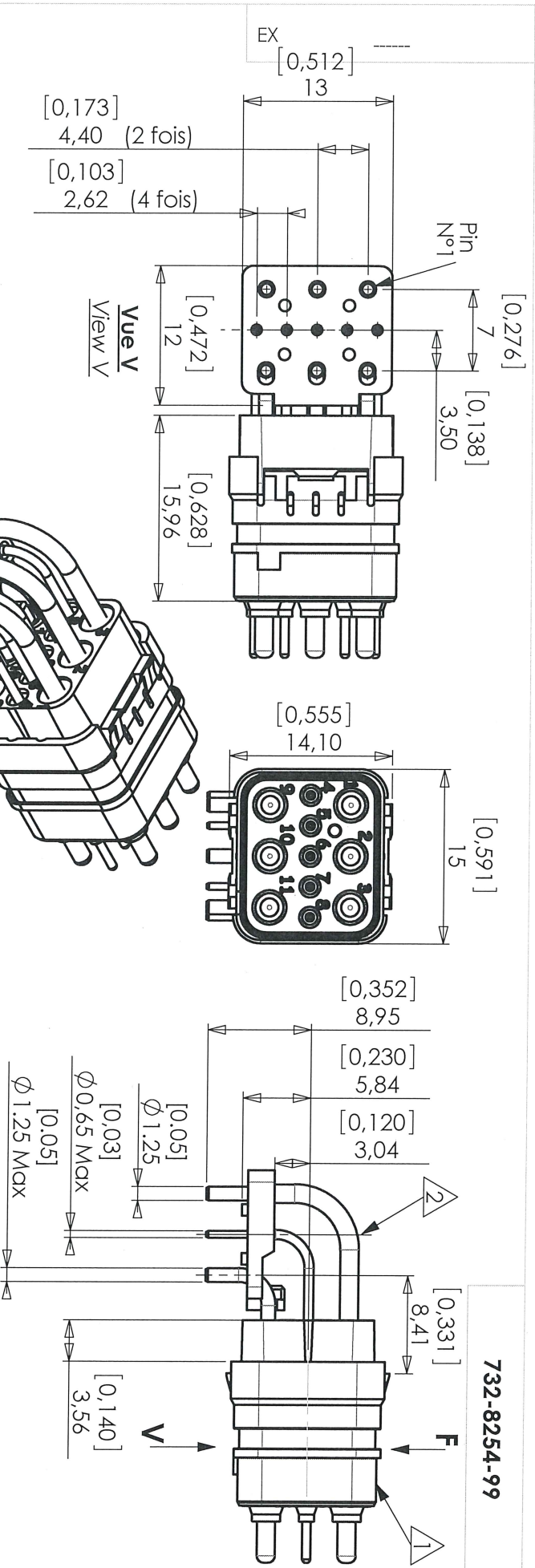


732-8254-99



CARACTERISTIQUES:

Module suivant: EN4165
 Température d'utilisation: -55°C à +175°C
 Matériaux: Thermoplastique et silicone
 Tension de tenue: 1800V (#16), 1300V (#22) eff ; 50Hz
 Contact à picot: Doré
 Avant des contacts normalisé suivant: SAE/AS39029/58-364 (#16) SAE/AS39029/58-350 (#22)

CHARACTERISTICS:

Module according to: EN4165
 Operating temperature range: -55°C to +175°C
 Materials: Thermoplastic and silicone
 Withstanding voltage: 1800V (#16), 1300V (#22)(R.M.S) ; 50Hz
 PCB pin contact: Gold plated
 Front part contact as per: SAE/AS39029/58-364 (#16) SAE/AS39029/58-350 (#22)

Masse: ~8g
 Dimension: Millimètres [pouces]
 Marquage sur la face opposée aux clés.
 Axe du brochage

Weight: ~8g
 Dimension: Millimeters [inches]
 Marking on the opposite keys side.
 Layout axis

| | | | | | | | | | | | |
|--------------|---|----------|---------------|-------------|---|-------|------------------|---------------|---------|------------------|----------|
| Revision | d | 19/06/18 | Voit OE200618 | SERIE | DMC-M Série II | DATE | 11/12/2006 | VISA Creation | Created | VISA Approbation | Approved |
| ORIGINE : | c | 29/09/11 | Voit OE580911 | DESIGNATION | MODULE P HYBRIDE 6#16-5#22 A PICOTS COUDES | REF : | P/N: 732-8254-99 | | | | |
| ORIGIN : | | | | DESIGNATION | HYBRIDE Pin MODULE #16-#22 with bended PCB Contacts | | | | | | |
| Observations | | | | | | | | | | | |
| VERSION | | | | | | | | | | | |
| REVISION | | | | | | | | | | | |



Connecteurs Electriques Deutsch
 17, rue LAVOISIER - BP 117 - 27091 EVREUX CEDEX 09 - FRANCE

FICHE TECHNIQUE
TECHNICAL DATA SHEET

204-19-C/101

X-ON Electronics

Largest Supplier of Electrical and Electronic Components

Click to view similar products for [Rectangular Mil Spec Connectors](#) category:

Click to view products by [TE Connectivity](#) manufacturer:

Other Similar products are found below :

[891-011-15SA2-BSST](#) [CTS-S16/16](#) [65002-062](#) [CY4602-000](#) [732-8020-01](#) [77058-22-55PN](#) [81542-20](#) [86.030.0053.0](#) [1241346-1](#) [RM252-020-311-2900](#) [DMC-M 08-16 SA](#) [1589051-4](#) [MSO34MPK1E1](#) [BACC65CAMA](#) [BACC65CP1PN](#) [BACI10BC0816PNBA](#) [HSB-D4S03DM222X](#) [2217548-1](#) [891-006-9PS-BST1T](#) [891-009-15SA2-BRT1T](#) [27963-20T12](#) [SIM2N40NC3](#) [SIM2S100A](#) [1604996-2](#) [SMD25PN90L-4055](#) [1900ND08S1B00A](#) [22628-10-6P-791](#) [RE04-212S](#) [M32139/03-G05SN](#) [CTD160E01F-6148](#) [CTJ112E03B](#) [CTJ122E02D-8000](#) [CTJ-3D-12](#) [CTJ920E06N-513](#) [CTJ920E12N-513](#) [CTL-16-090](#) [CY4600-000](#) [CY4601-000](#) [38111-14-15SN](#) [38112-14-15PN](#) [MMA23-0111R1](#) [MMD25-0071P1](#) [33516062020](#) [33526M11-08PE](#) [DMC-M99-01AN](#) [Y59113WE20PNV00300](#) [ZPF000000000106310](#) [105979-31](#) [EN4165M01AD0G0](#) [EN4165M01AN0G0](#)