



Connectors > Rectangular Connectors > Standard Rectangular Connectors



Product Type: **Pin Insert with PC Tail Contacts**

Connector Style: **Plug/Receptacle**

Mating Alignment Type: **Keyed**

PCB Mount Retention: **Without**

PCB Mount Orientation: **Straight**

Features

Product Type Features

Product Type	Pin Insert with PC Tail Contacts
Connector Style	Plug/Receptacle
Connector System	Cable-to-Board
Insertion Force	Standard
Sealable	Yes
Connector & Contact Terminates To	Printed Circuit Board

Configuration Features

PCB Mount Orientation	Straight
Number of Positions	20
Number of Rows	4

Contact Features

Contact Plating Material	Gold Over Copper
Contact Current Rating (Max)	5 A

Termination Features

Termination Method to Printed Circuit Board	Solder
Termination Method to Wire & Cable	Crimp

Mechanical Attachment

Mating Alignment Type	Keyed
-----------------------	-------



PCB Mount Retention	Without
Contact Retention	Clipped
Connector Mounting Type	Board Mount

Usage Conditions

Operating Temperature Range	-55 – 175 °C[-67 – 347 °F]
-----------------------------	----------------------------

Operation/Application

Circuit Application	Signal
---------------------	--------

Product Compliance

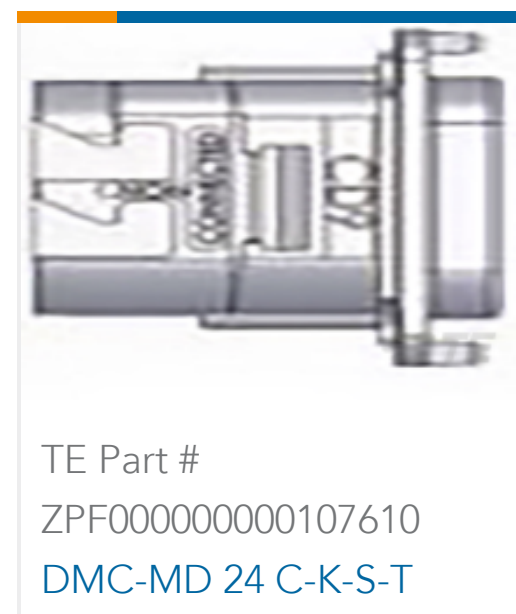
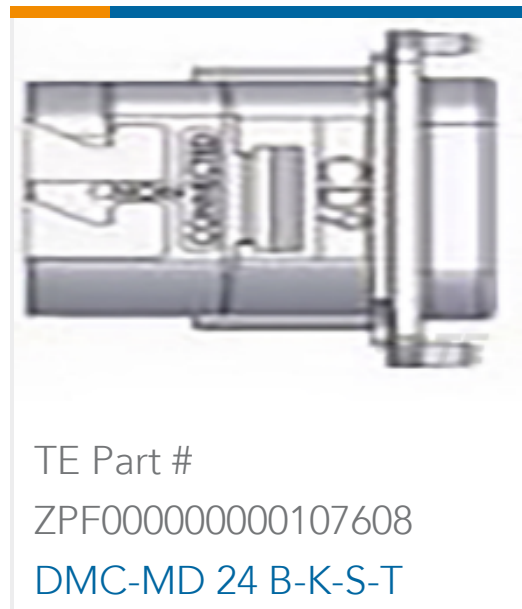
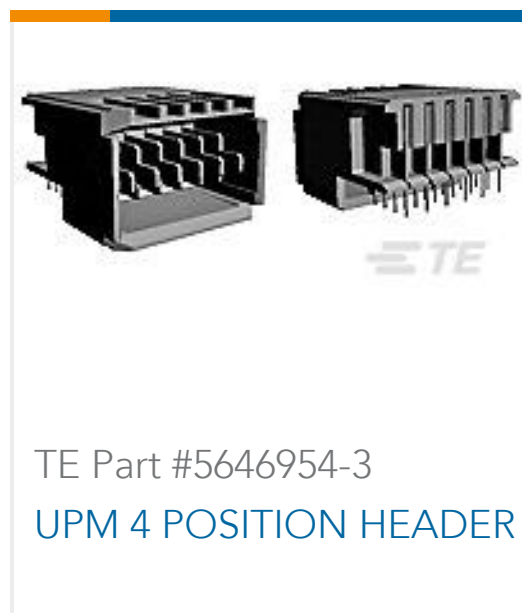
[For compliance documentation, visit the product page on TE.com>](#)

EU RoHS Directive 2011/65/EU	Out of Scope
EU ELV Directive 2000/53/EC	Out of Scope
China RoHS 2 Directive MIIT Order No 32, 2016	Restricted Materials Above Threshold
EU REACH Regulation (EC) No. 1907/2006	Current ECHA Candidate List: JAN 2019 (197) Candidate List Declared Against: JAN 2019 (197)
Halogen Content	Low Halogen - Br, Cl, F, I < 900 ppm per homogenous material. Also BFR/CFR/PVC Free
Solder Process Capability	Not reviewed for solder process capability

Product Compliance Disclaimer

This information is provided based on reasonable inquiry of our suppliers and represents our current actual knowledge based on the information they provided. This information is subject to change. The part numbers that TE has identified as EU RoHS compliant have a maximum concentration of 0.1% by weight in homogenous materials for lead, hexavalent chromium, mercury, PBB, PBDE, DBP, BBP, DEHP, DIBP, and 0.01% for cadmium, or qualify for an exemption to these limits as defined in the Annexes of Directive 2011/65/EU (RoHS2). Finished electrical and electronic equipment products will be CE marked as required by Directive 2011/65/EU. Components may not be CE marked. Additionally, the part numbers that TE has identified as EU ELV compliant have a maximum concentration of 0.1% by weight in homogenous materials for lead, hexavalent chromium, and mercury, and 0.01% for cadmium, or qualify for an exemption to these limits as defined in the Annexes of Directive 2000/53/EC (ELV). Regarding the REACH Regulations, TE's information on SVHC in articles for this part number is still based on the European Chemical Agency (ECHA) 'Guidance on requirements for substances in articles' (Version: 2, April 2011), applying the 0.1% weight on weight concentration threshold at the finished product level. TE is aware of the European Court of Justice ruling of September 10th, 2015 also known as O5A (Once An Article Always An Article) stating that, in case of 'complex object', the threshold for a SVHC must be applied to both the product as a whole and simultaneously to each of the articles forming part of its composition. TE has evaluated this ruling based on the new ECHA "Guidance on requirements for substances in articles" (June 2017, version 4.0) and will be updating its statements accordingly.

Customers Also Bought

TE Part #1-2176052-3
RLP73N 1J R16 5% 5K RLTE Part #2-2176054-1
RLP73N 2A R36 5% 5K RLTE Part #1445626-4
QUADRAX PIN ASY,FR-FRTE Part #
ZPF000000000107610
DMC-MD 24 C-K-S-TTE Part #
ZPF000000000107608
DMC-MD 24 B-K-S-TTE Part #1-1735413-1
Assembly Slimline SATA
Receptacle 7P+6PTE Part #
YACT20JE08SAV00100
SQUARE FLANGE
RECEPTACLETE Part #5-6123283-5
CHAMP 050(I) SMT PLUG
ASSY 40PTE Part #5646954-3
UPM 4 POSITION HEADERTE Part #
ZPF000000000100796
732-8260-22

Documents

CAD Files

3D PDF

3D

Customer View Model

[ENG_CVM_CVM_ZPF000000000110281_1.2d_dxf.zip](#)

English

Customer View Model

[ENG_CVM_CVM_ZPF000000000110281_1.3d_igs.zip](#)

English

Customer View Model

[ENG_CVM_CVM_ZPF000000000110281_1.3d_stp.zip](#)

English

Datasheets & Catalog Pages

DMC-M Series Single Module EN4165

English

DEUTSCH DMC-M Series Multicavity EN4165 Connectors

English



Product Environmental Compliance

REACH Substance Communication Document

English

X-ON Electronics

Largest Supplier of Electrical and Electronic Components

Click to view similar products for [Rectangular Mil Spec Connectors](#) category:

Click to view products by [TE Connectivity](#) manufacturer:

Other Similar products are found below :

[891-011-15SA2-BSST](#) [CTS-S16/16](#) [65002-062](#) [CY4602-000](#) [732-8020-01](#) [77058-22-55PN](#) [81542-20](#) [86.030.0053.0](#) [1241346-1](#) [RM252-020-311-2900](#) [DMC-M 08-16 SA](#) [1589051-4](#) [MSO34MPK1E1](#) [BACC65CAMA](#) [BACC65CP1PN](#) [BACI10BC0816PNBA](#) [HSB-D4S03DM222X](#) [2217548-1](#) [891-006-9PS-BST1T](#) [891-009-15SA2-BRT1T](#) [27963-20T12](#) [SIM2N40NC3](#) [SIM2S100A](#) [1604996-2](#) [SMD25PN90L-4055](#) [1900ND08S1B00A](#) [22628-10-6P-791](#) [RE04-212S](#) [M32139/03-G05SN](#) [CTD160E01F-6148](#) [CTJ112E03B](#) [CTJ122E02D-8000](#) [CTJ-3D-12](#) [CTJ920E06N-513](#) [CTJ920E12N-513](#) [CTL-16-090](#) [RM300-000-581-0000](#) [CY4600-000](#) [CY4601-000](#) [38111-14-15SN](#) [38112-14-15PN](#) [MMA23-0111R1](#) [MMD25-0071P1](#) [33516062020](#) [33526M11-08PE](#) [DMC-M99-01AN](#) [Y59113WE20PNV00300](#) [ZPF000000000106310](#) [105979-31](#) [EN4165M01AD0G0](#)