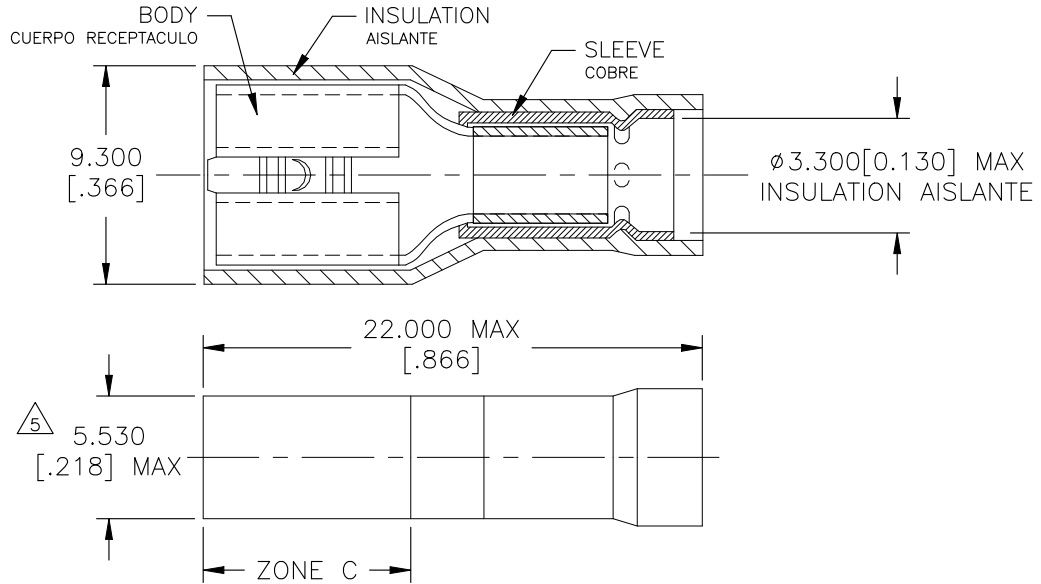


REVISIONS

P	LTR	DESCRIPTION	DATE	DWN	APVD
	F5	REVISED PER ECN-21-127537	21NOV2021	RK	CDS



NOTE:

- ① - FOR MANUAL TOOLING TOOL, CONSULT TE.
PARA HERRAMIENTA MANUAL DE ENGASTE CONSULTE A TE.
 - ② - MATERIAL:
BODY: SEE TABLE
SLEEVE: COPPER PER ASTM B152
INSULATION: POLYAMIDE 6/6 (NYLON) PER ASTM D4066
 - ③ - FINISH:
BODY: TIN PLATE 0.002[.000079]
MIN EXTERNAL THICKNESS PER ASTM B545
SLEEVE:NONE
INSULATION: COLOR-RED
- TERMINAR:
CUERPO: HOJALATA 0.002 [.000079]
ESPEJOR MINIMO EXTERNO POR ASTM B545
MANGA: NINGUNA
AISLAMIENTO: COLOR-ROJO

4. WIRE RANGE: 0.300[.012] - 1.500[.059] mm² [17-16 AWG]

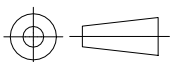
⑤ DIMENSION APPLIES TO ZONE C FOR A DISTANCE OF 8.730 - 8.860 [.344 - .349]

735278	LOOSE PIECE PIEZA SUELTA	100	BRASS PER ASTM B36 LATÓN POR ASTM B36	1.000[.039] - 1.500[.059] mm ² [17-16 AWG]
735278-1		100	PHOS BRONZE PER ASTM B103 LATON ESTANADO POR ASTM B103	1.000[.039] - 1.500[.059] mm ² [17-16 AWG]
PART NUMBER NÚMERO DE PIEZA	PACKAGE TYPE TIPO DE PAQUETE	QTY CANTIDAD	BODY MATL. CUERPO MATL.	① WIRE RANGE RANGO DE CABLES

TE Connectivity. All Rights Reserved.



DIMENSIONS: mm [INCHES]	DWN B. SANGANNA	18APR2018	MATERIAL	② -	FINISH	③ -
	CHK S. GURURAJ	18APR2018	TE Connectivity			
TOLERANCES UNLESS OTHERWISE SPECIFIED:	APVD G. NIMBENNAPPA	18APR2018				
0 PLC ± -	PRODUCT SPEC	-	NAME RECEPTACLE PIDG FASTON ISOLATED 6.35 SERIES RECEPTACULO FASTON SERIE 6.35 AISLADO PIDG			
1 PLC ± -	APPLICATION SPEC	-				
2 PLC ± -	WEIGHT	-	SIZE	CAGE CODE	DRAWING NO	RESTRICTED TO
3 PLC ± ± 0.500[.019]			A4	00779	③-735278	-
4 PLC ± -			CUSTOMER DRAWING			
ANGLES ± -			SCALE	SHEET	REV	
			NONE	1 OF 1	F5	



X-ON Electronics

Largest Supplier of Electrical and Electronic Components

Click to view similar products for [Terminals](#) category:

Click to view products by [TE Connectivity](#) manufacturer:

Other Similar products are found below :

[00-054007-01074-6](#) [00-054007-70206-1](#) [00-054007-70210-8](#) [00-054007-70217-7](#) [00-054007-70226-9](#) [00-054007-70228-3](#) [00-054007-70248-1](#) [00-054007-70256-6](#) [00-054007-70301-3](#) [00-054007-70316-7](#) [00-054007-49560-4](#) [00-054007-70209-2](#) [00-054007-70225-2](#) [00-054007-70227-6](#) [00-054007-70231-3](#) [00-054007-70241-2](#) [00-054007-70242-9](#) [00-054007-70244-3](#) [00-054007-70246-7](#) [00-054007-70263-4](#) [00-054007-70288-7](#) [00-054007-70290-0](#) [00-054007-70300-6](#) [00-054007-70304-4](#) [01-2065-1-0216](#) [01-2900-1-04412](#) [00581P0075](#) [600TS-10](#) [60205-1](#) [604200-1](#) [605601-1](#) [60598-1-CUT-TAPE](#) [61314-6-C](#) [61810-3](#) [61-S](#) [61-SN](#) [626-0194](#) [62-NBM-A](#) [62-SN](#) [62-SP](#) [63-S](#) [640179-1](#) [M55155/059I03](#) [M55155/079C01](#) [M55155/099H02](#) [M55155/109H01](#) [M55155/109H02](#) [M55155/12XH05](#) [M55155/16XH02](#) [M55155/29-5S](#)