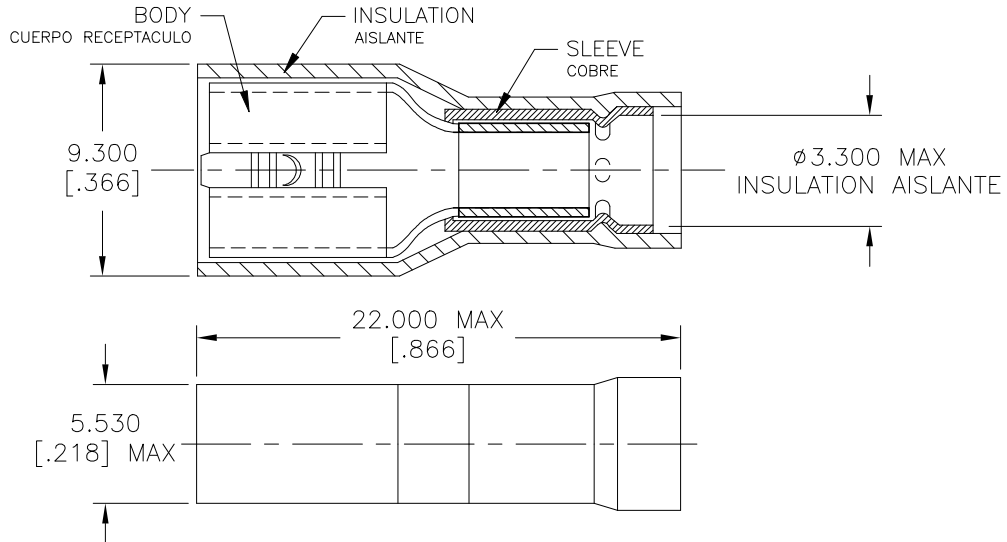


REVISIONS

P	LTR	DESCRIPTION	DATE	DWN	APVD
	F2	DRAWING UPDATED FOR BETTER VISIBILITY	18APR2018	SH	NG
	F3	REVISED PER ECO-19-004234	18SEP2019	RS	DR
	F4	REVISED PER ECO-19-016648	08NOV2019	RS	DR



NOTE:

① - FOR MANUAL TOOLING TOOL, CONSULT TE.
 PARA HERRAMIENTA MANUAL DE ENGASTE CONSULTE A TE.

② - MATERIAL:
 BODY: SEE TABLE
 SLEEVE: COPPER PER ASTM B152
 INSULATION: POLYAMIDE 6/6 (NYLON) PER ASTM D4066

MATERIAL:
 CUERPO: VER TABLA
 MANGA: COBRE POR ASTM B152
 AISLAMIENTO: POLIAMIDA 6/6 (NYLON) POR ASTM D4066

③ - FINISH:
 BODY: TIN PLATE 0.002[.000079]
 MIN EXTERNAL THICKNESS PER ASTM B545
 SLEEVE: NONE
 INSULATION: COLOR-RED

4. WIRE RANGE: 0.300[.012] - 1.500[.059] mm² [17-16 AWG]

TERMINAR:
 CUERPO: HOJALATA 0.002 [.000079]
 ESPESOR MÍNIMO EXTERNO POR ASTM B545
 MANGA: NINGUNA
 AISLAMIENTO: COLOR-ROJO

735279	LOOSE PIECE PIEZA SUELTA	100	BRASS PER ASTM B36 LATÓN POR ASTM B36	0.3 - 1.0 mm ²
735278		100	BRASS PER ASTM B36 LATÓN POR ASTM B36	1.0 - 1.5 mm ²
735278-1		100	PHOS BRONZE PER ASTM B103 LATON ESTANADO POR ASTM B103	1.0 - 1.5 mm ²
PART NUMBER NÚMERO DE PIEZA	PACKAGE TYPE TIPO DE PAQUETE	QTY CANTIDAD	BODY MATL. CUERPO MATL.	① WIRE RANGE RANGO DE CABLES

RELEASED FOR PUBLICATION

ALL RIGHTS RESERVED.

© COPYRIGHT - TE Connectivity Ltd.

THIS DRAWING IS UNPUBLISHED.

DIMENSIONS: mm [INCHES]	DWN B. SANGANNA	18APR2018	MATERIAL	② -	FINISH	③ -
	CHK S. GURURAJ	18APR2018	TE Connectivity			
TOLERANCES UNLESS OTHERWISE SPECIFIED:	APVD G. NIMBENAPPA	18APR2018				
	0 PLC ± -	PRODUCT SPEC	SIZE			
1 PLC ± -	APPLICATION SPEC	CAGE CODE				
2 PLC ± -	WEIGHT	DRAWING NO				-
3 PLC ± 0.500[.019]		A4 00779				
4 PLC ± -		G-735278				
ANGLES ± -		SCALE				SHEET 1 OF 1
		NONE				
		CUSTOMER DRAWING			REV	F4

X-ON Electronics

Largest Supplier of Electrical and Electronic Components

Click to view similar products for [Terminals](#) category:

Click to view products by [TE Connectivity](#) manufacturer:

Other Similar products are found below :

[00-054007-01074-6](#) [00-054007-70206-1](#) [00-054007-70210-8](#) [00-054007-70217-7](#) [00-054007-70226-9](#) [00-054007-70228-3](#) [00-054007-70248-1](#) [00-054007-70256-6](#) [00-054007-70301-3](#) [00-054007-70316-7](#) [0-0320562-0](#) [00-054007-49560-4](#) [00-054007-70209-2](#) [00-054007-70225-2](#) [00-054007-70227-6](#) [00-054007-70231-3](#) [00-054007-70241-2](#) [00-054007-70242-9](#) [00-054007-70244-3](#) [00-054007-70246-7](#) [00-054007-70263-4](#) [00-054007-70288-7](#) [00-054007-70290-0](#) [00-054007-70300-6](#) [00-054007-70304-4](#) [01-2065-1-0216](#) [01-2900-1-04412](#) [00581P0075](#) [600TS-10](#) [60205-1](#) [604200-1](#) [605601-1](#) [60598-1-CUT-TAPE](#) [61314-6-C](#) [61810-3](#) [61-S](#) [61-SN](#) [626-0194](#) [62-NBM-A](#) [62-SN](#) [62-SP](#) [63-S](#) [640179-1](#) [M55155/059I03](#) [M55155/079C01](#) [M55155/099H02](#) [M55155/109H01](#) [M55155/109H02](#) [M55155/12XH05](#) [M55155/16XH02](#)