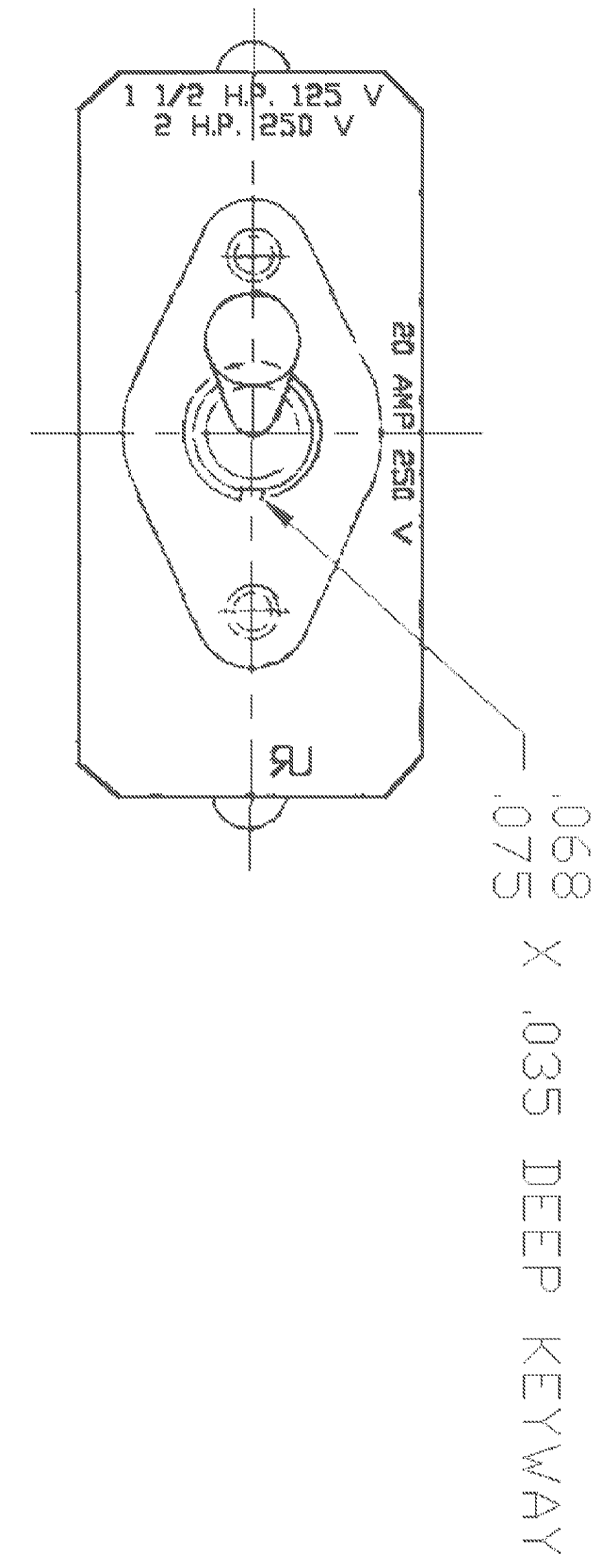
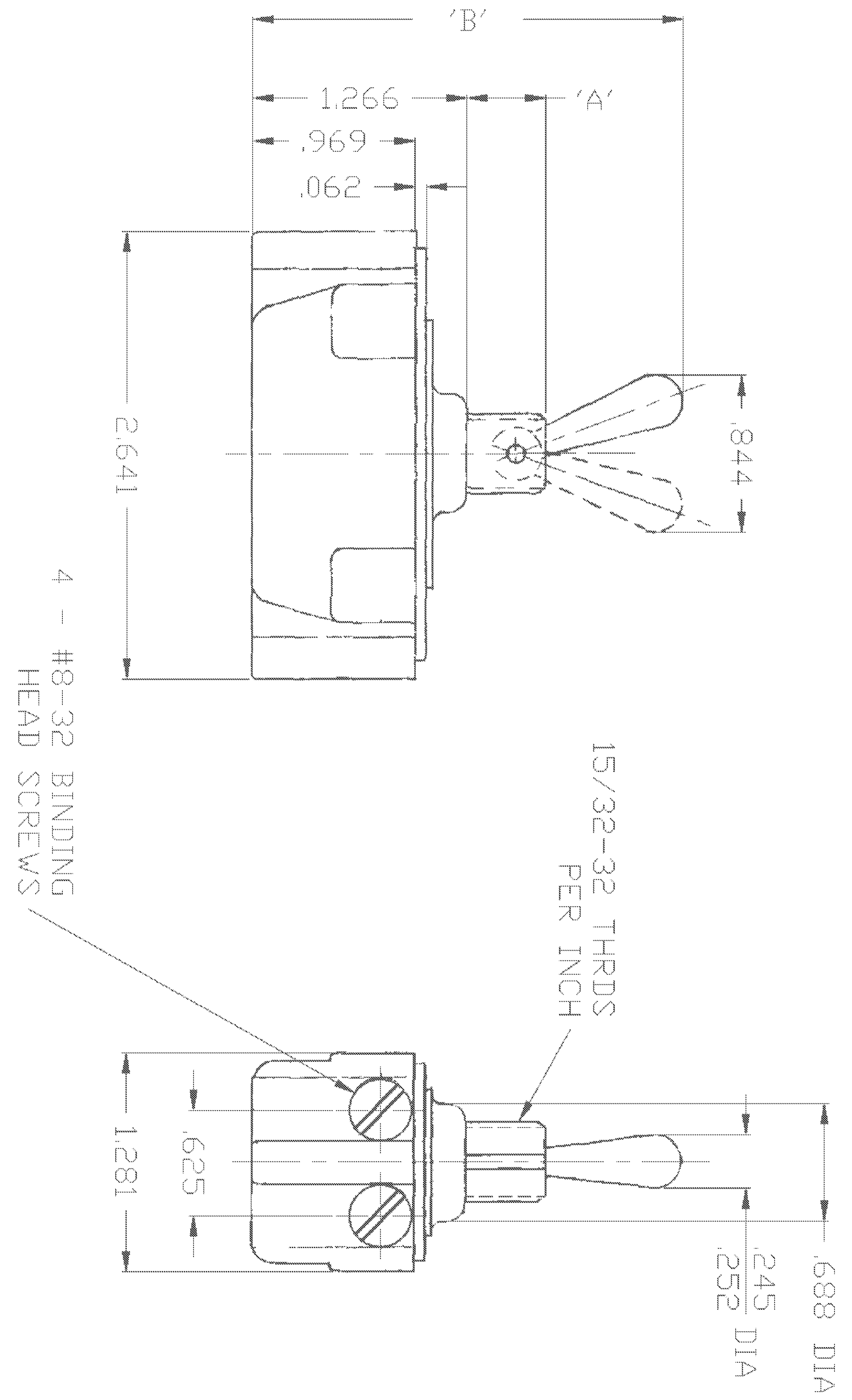


TYCO NO. 1520230-6
(ARAB NO. 8909K500)

90-15569

THIS DRAWING IS A CONTROLLED DOCUMENT.		DWN: WESTEMEIER	01AUG00	 TE Connectivity
DIMENSIONS: INCHES		CHK: R. WALLEN	02AUG00	
TOLERANCES UNLESS OTHERWISE SPECIFIED:		APVD: R. WALLEN	02AUG00	NAME: 20A 250V PANEL MOUNT ROCKER SWITCH
0 PLC ± -		PRODUCT SPEC		TYCO NO. 1520230-6
1 PLC ± -		APPLICATION SPEC		(ARAB NO. 8909K500)
2 PLC ± -		SIZE: A1	CAGE CODE: 00779	DRAWING NO: 1520230
3 PLC ± .016		WEIGHT: -		RESTRICTED TO: -
4 PLC ± -		CUSTOMER DRAWING	SCALE: 1:1	SHEET: 1 OF 2
ANGLES ± -				REV: B1
FINISH: -				



2-1520230-2	7402K4 T-PAK	.469	2.547
2-1520230-1	7402K3 T-PAK	.344	2.422
2-1520230-3	8909K27	.469	2.547
1520230-9	8910K202	.469	2.547
1520230-8	8910K165	.469	2.547
1520230-5	8909K4	.469	2.547
1520230-4	7403K2	.469	2.547
1520230-3	7403K1	.344	2.422
1520230-2	7402K4	.469	2.547
1520230-1	7402K3	.344	2.422
TYCO NO.	ARAB NO.	DIM 'A'	DIM 'B'
			90-347

THIS DRAWING IS A CONTROLLED DOCUMENT.

DWG: F.R. LEONARD 19SEP40
 CHK: J. RACH 040CT40
 APD: G.J. 05OCT40

NAME: 20A 250VAC TOGGLE SWITCH

PRODUCT SPEC: -
 APPLICATION SPEC: -

SIZE: A1
 CAGE CODE: 00779
 DRAWING NO: 1520230

RESTRICTED TO: -

CUSTOMER DRAWING

SCALE: N.T.S. SHEET 2 OF 2

X-ON Electronics

Largest Supplier of Electrical and Electronic Components

Click to view similar products for [Toggle Switches](#) category:

Click to view products by [TE Connectivity](#) manufacturer:

Other Similar products are found below :

[8928K478](#) [8A1-C-222](#) [020017-13](#) [60012L](#) [6006L](#) [CS115W](#) [CS120W](#) [6663](#) [7101SPDV30BE](#) [7103SDV30BE](#) [7105D](#) [7108P3YAV2BE](#)
[71YY50282](#) [7300K36](#) [7301K38](#) [7306K36](#) [7310K36](#) [7506K4](#) [7592K6](#) [7660K12](#) [7691K14](#) [7700K1](#) [8391K108](#) [8396K108](#) [8811K17](#)
[8812K14](#) [8824K14](#) [8828K13](#) [8835K3](#) [8858K44](#) [PS83-121G](#) [1-1825192-0](#) [A201SCWZB04](#) [A207SYCB04](#) [A208J61ZQ0004](#) [A221T1TCQ](#)
[A323S1CWZQ](#) [A423S1CWZG-M8](#) [1201W](#) [12156AX408](#) [12147AGKX679](#) [12246X778](#) [12TW49-3D](#) [130312](#) [13037L](#) [13001X](#)
[AE101MD1W4B04](#) [AE208SD1W4B04](#) [MS24659-22D](#) [MS27407-5](#)