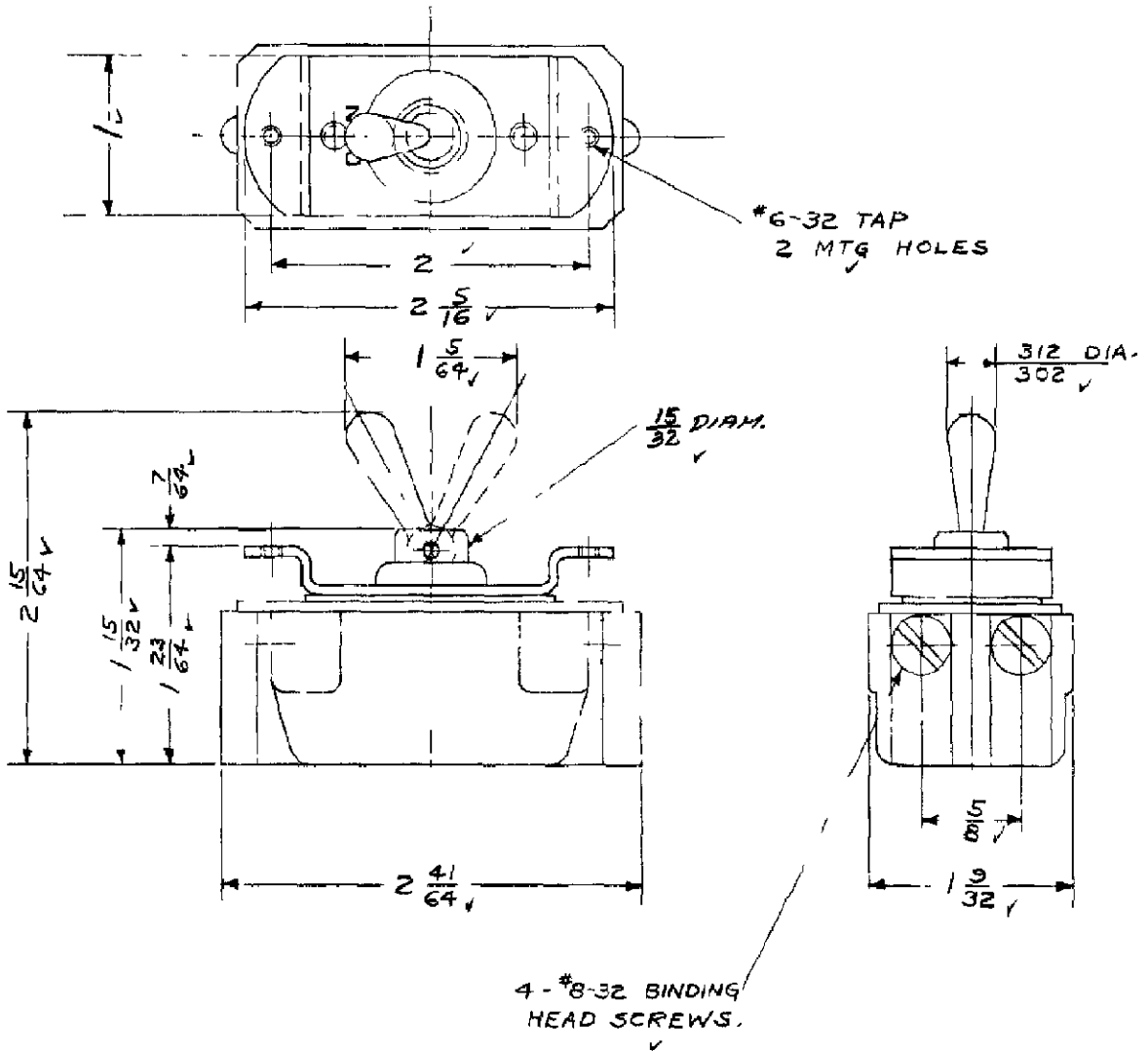



A 90-348

RAW MAT SPEC WITH
PART NO. AND AMOUNT REQ'D.



BULLETIN

DIMENSIONS FOR 20 AMP, 250V. 3 HOLE MTG. TOOL HANDLE SWITCH

A	2 7/16 DIA. WAS 1 5/32 DIA.	J.H.M. 3076 10-2-45 UNK	DR E. P. Leonard 7/20/40	FIRST ASSEM. WHERE LISTED D 90-342
B	15/32 WAS 2 7/16 DIA.	DEV. 3140-102158 10-2-45 UNK	CHK. J. Raeh 10/4/40	SUP. S. NON-INTERCHANGEABLE
C	DEV. 3140-102237	10-2-45 UNK	APP. Geo. J. J. J. 10/5/40	SUP. D BY NON-INTERCHANGEABLE
D	DO NOT SCALE DRAWING. WORK ACCORDING TO DIMENSIONS.			SURFACE COATING
E	STANDARD TOLERANCES 80-875 APPLY TO DIMENSIONS FOR WHICH TOLERANCES ARE NOT SPECIFIED.			SCALE 1" = 1"
F	ORDER NO. DEV. 4041-10			A 90-348
CUTLER-HAMMER, INC. MILWAUKEE  NEW YORK				

FORM 4
IMPERIAL NO. N 16315 CLOTH
NOV 7 1940
SCHILLER

X-ON Electronics

Largest Supplier of Electrical and Electronic Components

Click to view similar products for [Toggle Switches](#) category:

Click to view products by [TE Connectivity](#) manufacturer:

Other Similar products are found below :

[A19HV](#) [8A1-C-222](#) [60012L](#) [6006L](#) [6663](#) [7101MD9V30GE](#) [7101SPDV30BE](#) [7103SDV30BE](#) [7105D](#) [7108P3YAV2BE](#) [71YY50282](#)
[7201MD9AVBE](#) [7301K38](#) [7306K36](#) [7310K36](#) [7314K36](#) [7506K4](#) [7592K6](#) [7691K14](#) [7700K1](#) [8396K108](#) [8824K14](#) [8828K13](#) [G2VX](#) [G3VX](#)
[PS83-121G](#) [A101MD9AB04](#) [A101SD9AB04](#) [A101SDCQ04](#) [A103SD9AQ04](#) [A107TZB04](#) [A123P32YZQ](#) [A123S1YZG](#) [A127S1YCQ](#) [1-](#)
[1825192-0](#) [A131S1YZQ](#) [A201SCWZB04](#) [A207SYCB04](#) [A208J61ZQ0004](#) [A221K12KAG](#) [A221S1YZQ](#) [A221T1TCQ](#) [A232K12KZQ](#)
[A232M1YCQ](#) [A323S1CWZQ](#) [A423S1CWZG-M8](#) [A423S1YZQ](#) [12149A-3V](#) [12156AX408](#) [12147AGKX679](#)