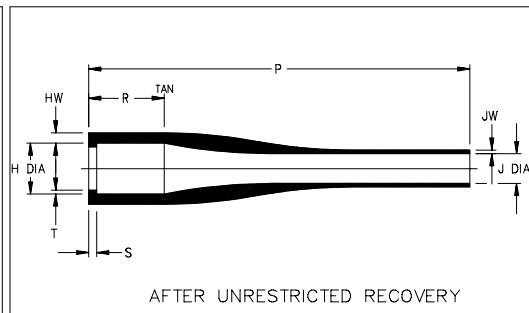
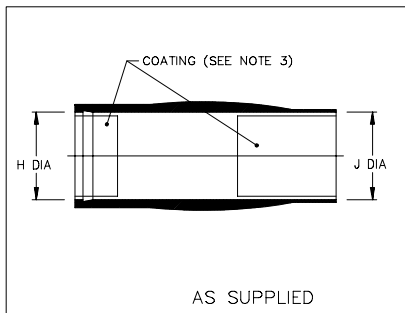


Thermofit[®] Molded Parts Specification Control Drawing

Part Number : 207W613 thru 667
Description : Boot, Straight

NOTES

- All dimensions are in $\frac{\text{inches}}{\text{[millimeters]}}$
- Dimensions appearing in table are as follows:
 - a - As Supplied
 - b - After Unrestricted Recovery
- Coating is optional. As supplied dimensions appearing in table are for uncoated parts. When coating is added, entry diameters will be reduced by .06 max.



PART NUMBER	H		J		P	R	S	T	HW	JW
	Min	Max	Min	Max						
	a	b	a	b						
207W613	.84 [21,3]	.55 [14,0]	.66 [16,8]	.21 [5,3]	5.30 [134,6]	1.10 [27,9]	.12 [3,0]	.06 [1,5]	.16 [4,1]	.04 [1,0]
207W623	1.00 [25,4]	.65 [16,5]	1.00 [25,4]	.33 [8,4]	6.00 [152,4]	1.20 [30,5]	.12 [3,0]	.06 [1,5]	.16 [4,1]	.06 [1,5]
207W634	1.30 [33,0]	.80 [20,3]	1.30 [33,0]	.43 [10,9]	6.00 [152,4]	1.20 [30,5]	.12 [3,0]	.06 [1,5]	.16 [4,1]	.06 [1,5]
207W644	1.70 [43,2]	.90 [22,9]	1.70 [43,2]	.56 [14,2]	6.90 [175,3]	1.50 [38,1]	.12 [3,0]	.06 [1,5]	.16 [4,1]	.08 [2,0]
207W656	2.10 [53,3]	1.10 [27,9]	2.10 [27,9]	.70 [17,8]	6.90 [175,3]	1.50 [38,1]	.12 [3,0]	.06 [1,5]	.16 [4,1]	.08 [2,0]
207W667	2.85 [72,4]	1.45 [36,8]	2.85 [72,4]	.95 [24,1]	7.24 [183,9]	1.60 [40,6]	.12 [3,0]	.06 [1,5]	.20 [5,1]	.10 [2,5]

Raychem

RAYCHEM CORPORATION
300 CONSTITUTION DRIVE
MENLO PARK, CALIFORNIA 94025
(415) 361-6055

Revision : L
Date : 9/17/92

Part Number : 207W613 thru 667
Description : Boot, Straight

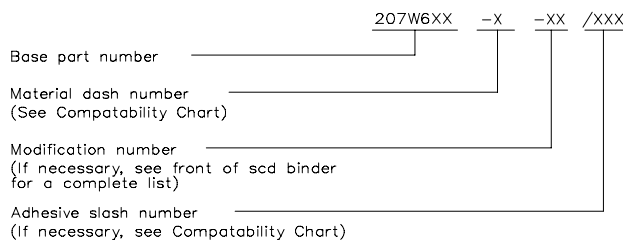
Thermofit[®] Molded Parts Specification Control Drawing

Part Number : 207W613 thru 667
Description : Boot, Straight

COMPATABILITY CHART					
MATERIAL DASH NO.	MATERIAL DESCRIPTION	RT SPEC	COATING SLASH NO.	COATING S NO.	COATING DESCRIPTION
-3	Polyolefin, Semi-rigid	RT-301	N/A		
-4	Polyolefin, Flexible	RT-1304	N/A		
-25	Elastomer, Fluid Resistant	RT-1325	/42;/86	S-1017;S-1048	Adhesive
-100	Polyolefin Semi-flexible ZEROFLEX [™]	RT-1323	/86;/184	S-1048;S-1030	Adhesive

*VITON is a Registered Trademark of Dupont

ORDERING INFORMATION



THIS DRAWING IS SUBJECT TO CHANGE WITHOUT NOTICE; CONSULT YOUR NEAREST FIELD REPRESENTATIVE FOR CURRENT REVISION

Raychem

RAYCHEM CORPORATION
300 CONSTITUTION DRIVE
MENLO PARK, CALIFORNIA 94025
(415) 361-6055

Revision : L
Date : 9/17/92

Part Number : 207W613 thru 667
Description : Boot, Straight

X-ON Electronics

Largest Supplier of Electrical and Electronic Components

Click to view similar products for [Heat Shrink Cable Boots & End Caps](#) category:

Click to view products by [TE Connectivity](#) manufacturer:

Other Similar products are found below :

[577159N001](#) [007758-000](#) [610368N003](#) [645494-000](#) [M85049/141-02HU](#) [M85049/141-03HU](#) [M85049/141-04HU](#) [687025-000](#) [705331-000](#)
[718446-000](#) [725666N001](#) [729257-000](#) [F21914-000](#) [F27131-000](#) [F85868-000](#) [770-006A103R](#) [770-006A304W1](#) [770-006A305W1](#) [770-](#)
[006A308W1](#) [770-011T303W1](#) [770-011T304W1](#) [770-020S702W1](#) [770-020S704W1](#) [806138-000](#) [806542N001](#) [807507-000](#) [808059-000](#)
[808296-000](#) [808362-000](#) [808828-000](#) [809125-000](#) [809130-000](#) [809218-000](#) [811218-000](#) [811288-000](#) [812014-000](#) [812047-000](#) [813166-000](#)
[813767N002](#) [814417-000](#) [819115N001](#) [819117N001](#) [823026-000](#) [823070-000](#) [825002-000](#) [841189N001](#) [861471-000](#) [866647-000](#) [937577-](#)
[000](#) [950764-000](#)