

NOTES:

1. MATERIALS:

HOUSING: HIGH TEMPERATURE PLASTIC, UL 94V-0, COLOR: BLACK
 TERMINAL: COPPER ALLOY
 SHIELD: STEEL ALLOY

2. FINISH:

TERMINAL: GOLD PLATING OVER 1.27 MICROMETER(50u") NICKEL IN CONTACT AREA,
 3.81 MICROMETER (150u") PURE TIN OVER 1.27 MICROMETER (50u") NICKEL AT SOLDERING AREA.
 BACK SHIELD: 3.81 MICROMETER (150u") BRIGHT TIN OVER 1.27 MICROMETER (50u") NICKEL OVER COPPER FLASH OVERALL.
 FRONT SHIELD: 1.27 MICROMETER (50u") SOLDERING NICKEL OVER COPPER FLASH OVERALL.

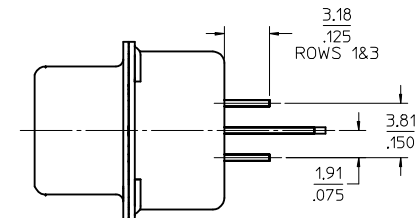
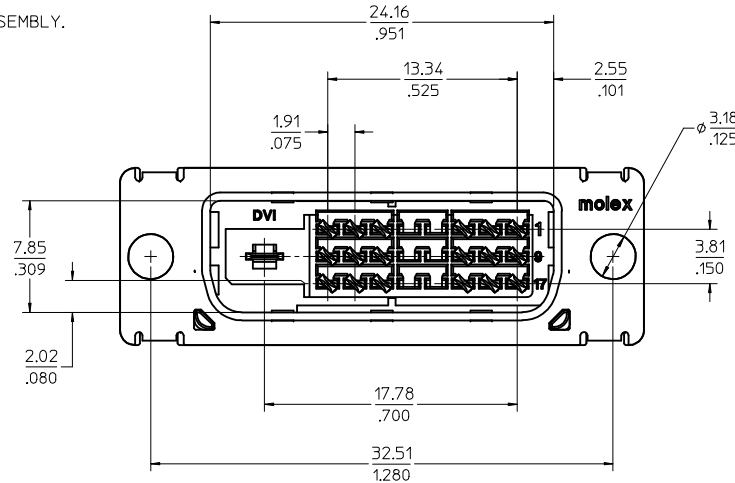
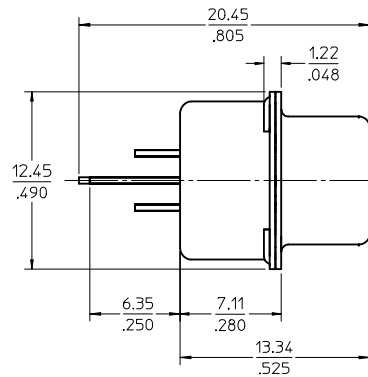
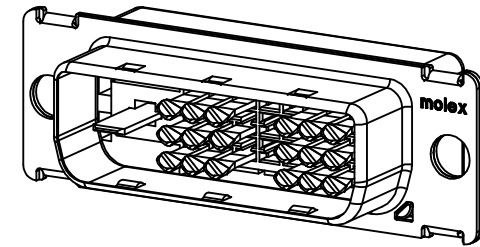
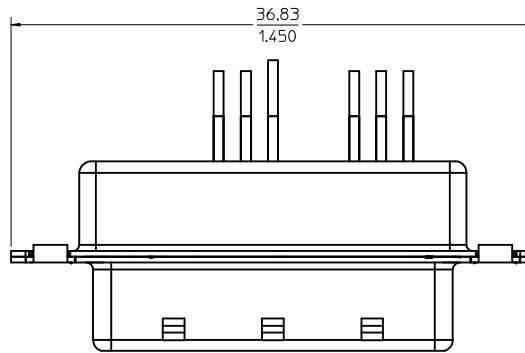
3. PRODUCT SPECIFICATION: PS-74320-001.

4. PACKAGING: PARTS ARE TO BE PACKAGED 40 PCS PER TRAY.

5. THE LOADED CIRCUITS SEE THE CHART.

6. THE TEXTS ARE SHOWN FOR REFERENCE ONLY.

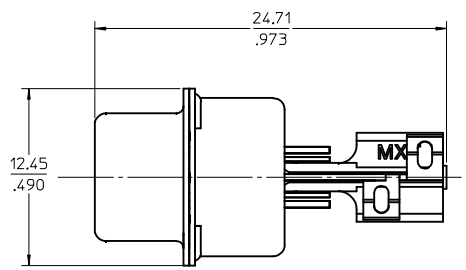
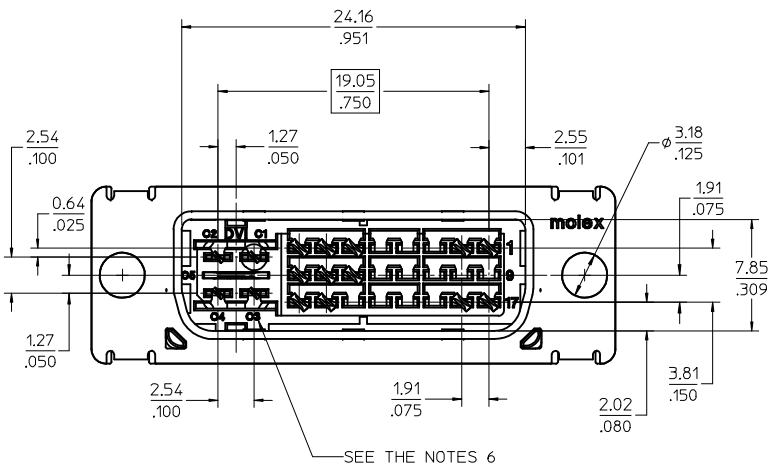
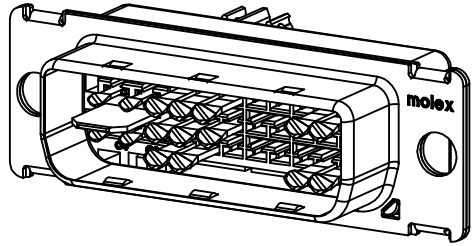
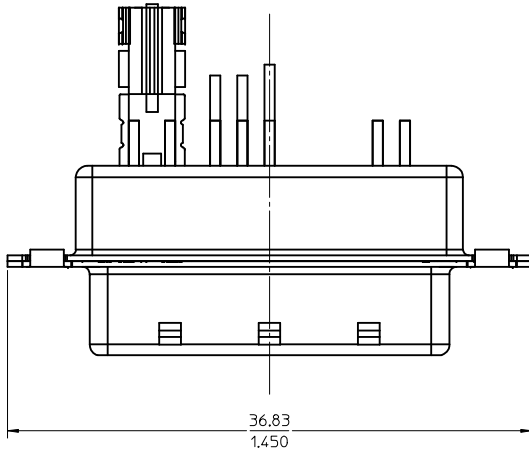
7. THE DIMENSION SHOWN ON SHEET 1 REFLECT THE DVI-D SINGLE AND DUAL CHANNEL SUB-ASSEMBLY.
 THE DIMENSION SHOWN ON SHEET 2 REFLECT THE DVI-I SUB-ASSEMBLY.
 FOR ALL OTHER DIMENSION REFER TO SHEET 1.



CHANGE FRONT SHELL FINISH

EC NO: SH2016-0197 DRWN: XQZHANG 2015/12/07 CHKD: XQZHANG 2015/12/07 APPR: XATIN 2016/01/18	QUALITY SYMBOLS ∇=0 ∇=0 ∇=0	GENERAL TOLERANCES (UNLESS SPECIFIED)		DIMENSION STYLE IN/MM		SCALE 4:1	DESIGN UNITS INCH	THIRD ANGLE PROJECTION		
		4 PLACES ± --- ± ---	mm	INCH	DRAWN BY JASON	DATE 99/09/12	TITLE DVI HIGH VOLUME PLUG CONNECTOR SUB-ASSEMBLY molex			
		3 PLACES ± --- ± .010	± 0.25	± ---	CHECKED BY RAFF	DATE 99/09/22				
		2 PLACES ± 0.25 ± ---	± ---	± ---	APPROVED BY MEGA	DATE 99/09/22	MATERIAL NO. SEE SHEET 2	DOCUMENT NO. SD-74323-003	SHEET NO. 1 OF 2	
1 PLACE ± --- ± ---	± ---	± ---	ANGULAR ± 1 °		THIS DRAWING CONTAINS INFORMATION THAT IS PROPRIETARY TO MOLEX INCORPORATED AND SHOULD NOT BE USED WITHOUT WRITTEN PERMISSION					
0 PLACE ± ±	±	±	DRAFT WHERE APPLICABLE MUST REMAIN WITHIN DIMENSIONS							

PART NUMBER	DESCRIPTION	LOADED CIRCUITS REF.
74323-2001	DVI-D Au FLASH SINGLE LINK	1-3,6-8,9-11,14-16,17-19,22-24, WITH KEY
74323-2003	DVI-D Au FLASH DUAL LINK	1-24, WITH KEY
74323-2031	DVI-I Au FLASH SINGLE LINK	1-3,6-8,9-11,14-16,17-19,22-24, C1,C2,C3,C4,C5
74323-2033	DVI-I Au FLASH DUAL LINK	1-24, C1,C2,C3,C4,C5



SEE THE NOTES 6

SEE SHEET 1 EC NO: SH2016-0197 DRAWN: XZHANG 2015/12/07 CHKD: XZHANG 2015/12/07 APPR: AYIN 2016/01/18	QUALITY SYMBOLS ▽=0 ▽=0 ▽=0	GENERAL TOLERANCES (UNLESS SPECIFIED)		DIMENSION STYLE IN/MM		SCALE 4:1	DESIGN UNITS INCH	THIRD ANGLE PROJECTION	
		4 PLACES ± --- ± ---	mm INCH	DRAWN BY JASON	DATE 99/09/12	TITLE DVI HIGH VOLUME PLUG CONNECTOR SUB-ASSEMBLY			
		3 PLACES ± --- ± .010		CHECKED BY RAFF	DATE 99/09/22				
		2 PLACES ± 0.25 ± ---		APPROVED BY MEGA	DATE 99/09/22				
1 PLACE ± --- ± ---		ANGULAR ± 1 °		MATERIAL NO.	DOCUMENT NO.	SHEET NO. 2 OF 2			
0 PLACE ± ±		DRAFT WHERE APPLICABLE MUST REMAIN WITHIN DIMENSIONS		SEE TABLE		SD-74323-003			
THIS DRAWING CONTAINS INFORMATION THAT IS PROPRIETARY TO MOLEX INCORPORATED AND SHOULD NOT BE USED WITHOUT WRITTEN PERMISSION									

X-ON Electronics

Largest Supplier of Electrical and Electronic Components

Click to view similar products for [HDMI, Displayport & DVI Connectors](#) category:

Click to view products by [TE Connectivity](#) manufacturer:

Other Similar products are found below :

[1775247-3](#) [2-1932649-5](#) [30-1231](#) [30-528](#) [2069485-1](#) [30-504](#) [30-519](#) [30-542](#) [47648-2000](#) [2002-400](#) [TC142X](#) [1453G1](#) [769-103/021-000](#)
[1932649-1](#) [233-368NFG6-17NH](#) [G45A19071083HR](#) [233-360NF00-17NH](#) [CP30200GM3B](#) [HYC02-DVI29-371](#) [P136-06NHDV4KBP](#)
[CP30116](#) [LTWDID-29PFFS-SL8001](#) [46765-1301](#) [47271-1004](#) [32-1121-BU](#) [DS1117-BN0-TME-002](#) [MHDR2A11004BP](#) [EHDMI2PKG](#)
[1903015-3](#) [DS1114-BN0](#) [WPUSBAF](#) [500254-1931](#) [HDMR-19-01-F-SM](#) [47151-1071](#) [1747981-1](#) [0480372000](#) [0482580001](#) [D121073-19](#)
[472710111](#) [HDMI-S-RA6-SMT-MF-15](#) [P142-000-UP](#) [P134-003](#) [P120-08N](#) [KDMIX-FS1V-WS-B](#) [P142-000-UD](#) [10029449-101RLF](#) [P132-](#)
[000](#) [P130-000](#) [P142-06N-MICRO](#) [P142-000-MINI](#)