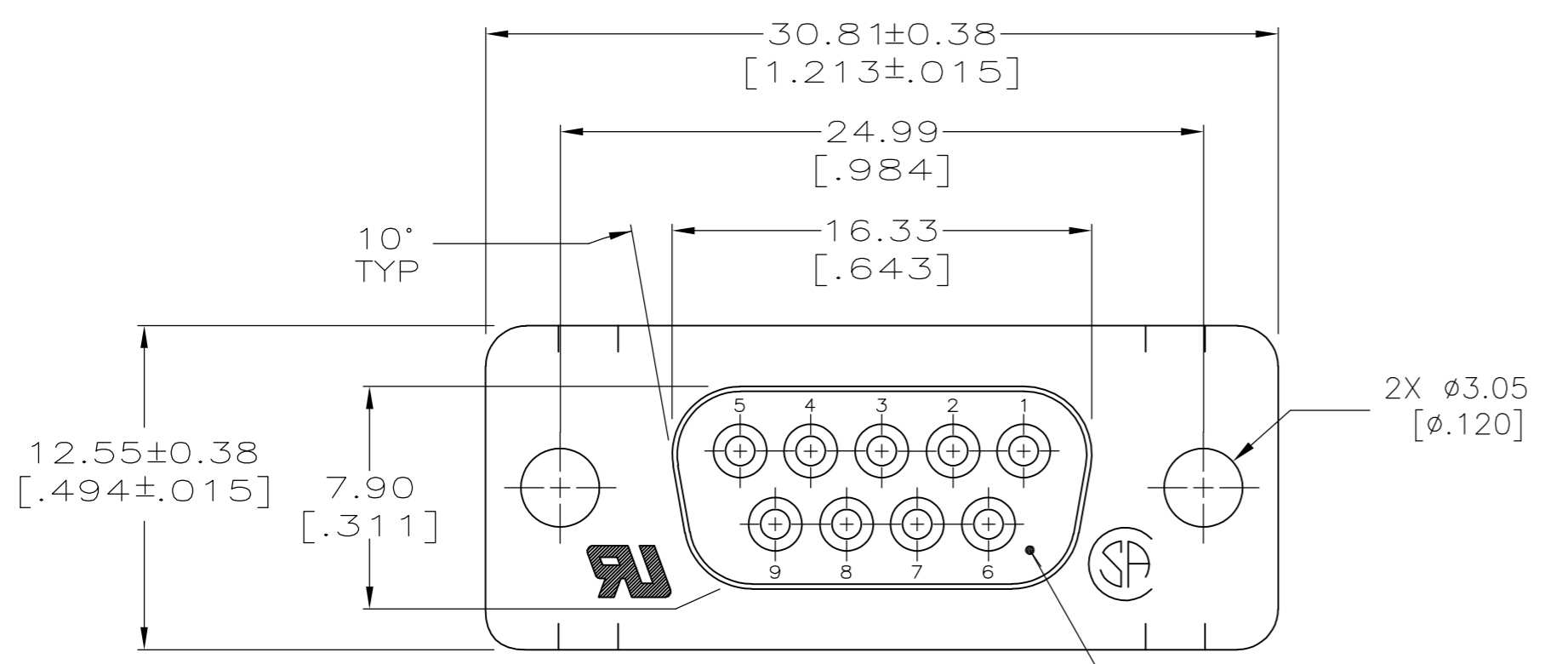
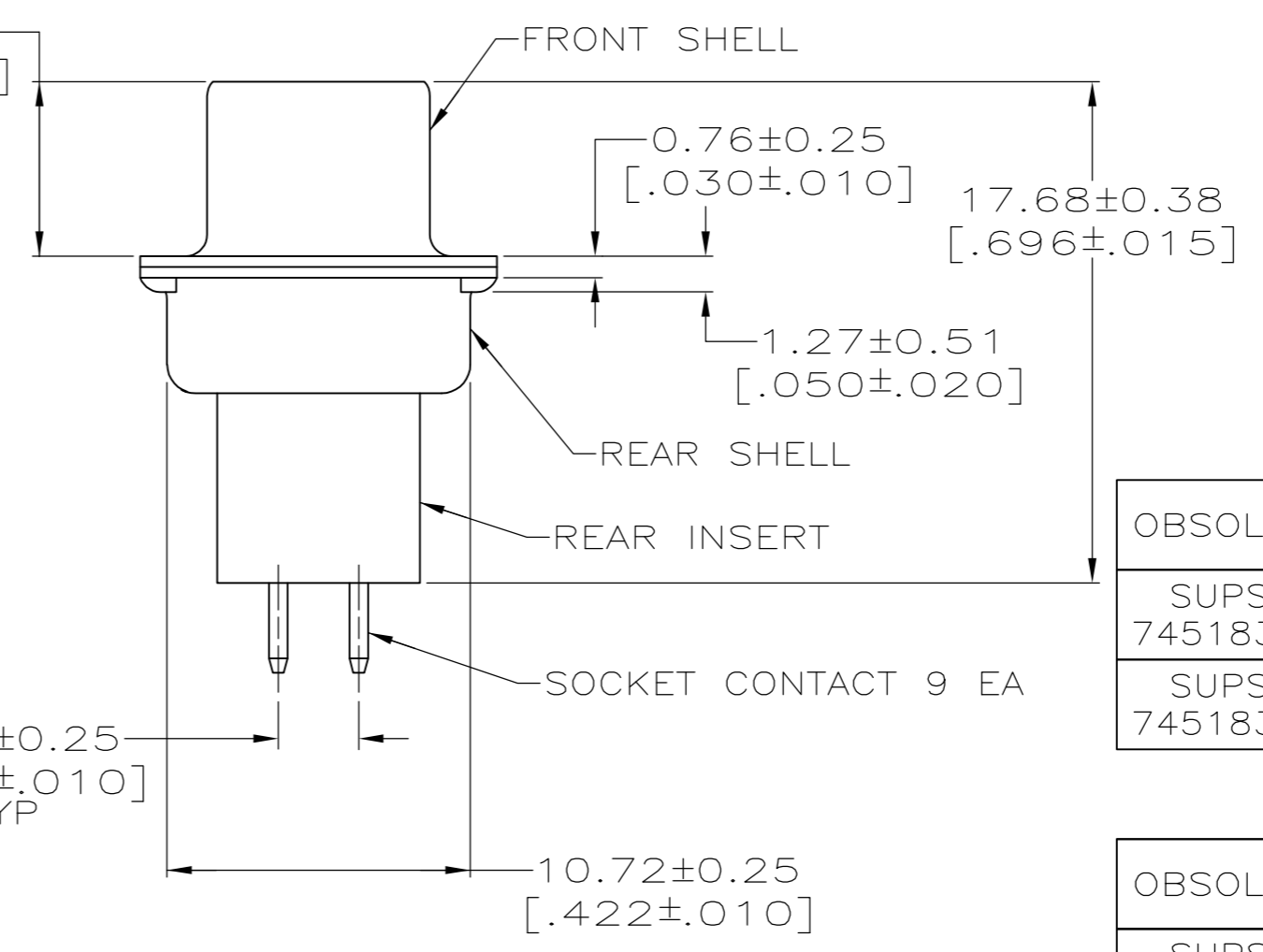
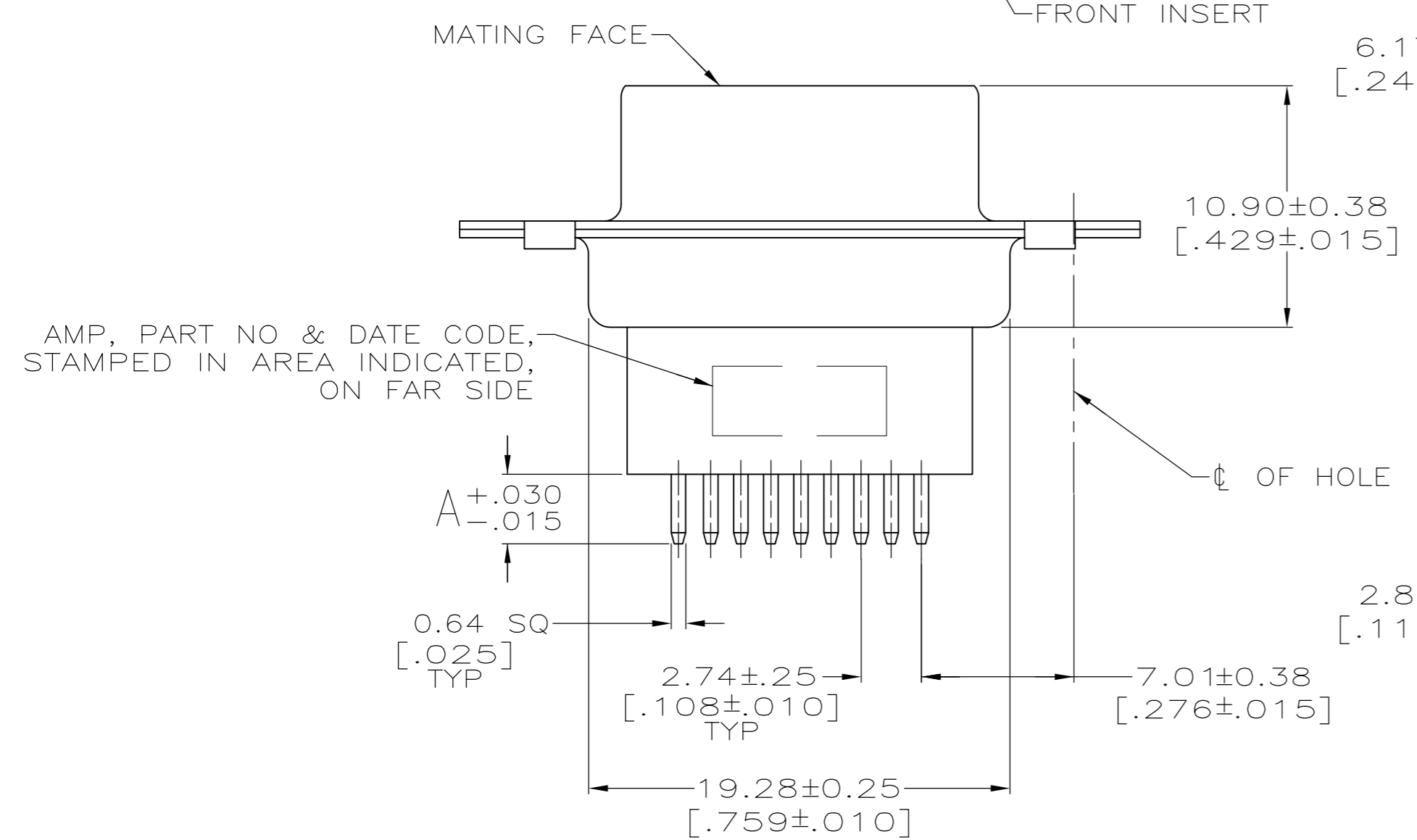


THIS DRAWING IS UNPUBLISHED. RELEASED FOR PUBLICATION
 © COPYRIGHT BY TYCO ELECTRONICS CORPORATION. ALL RIGHTS RESERVED.

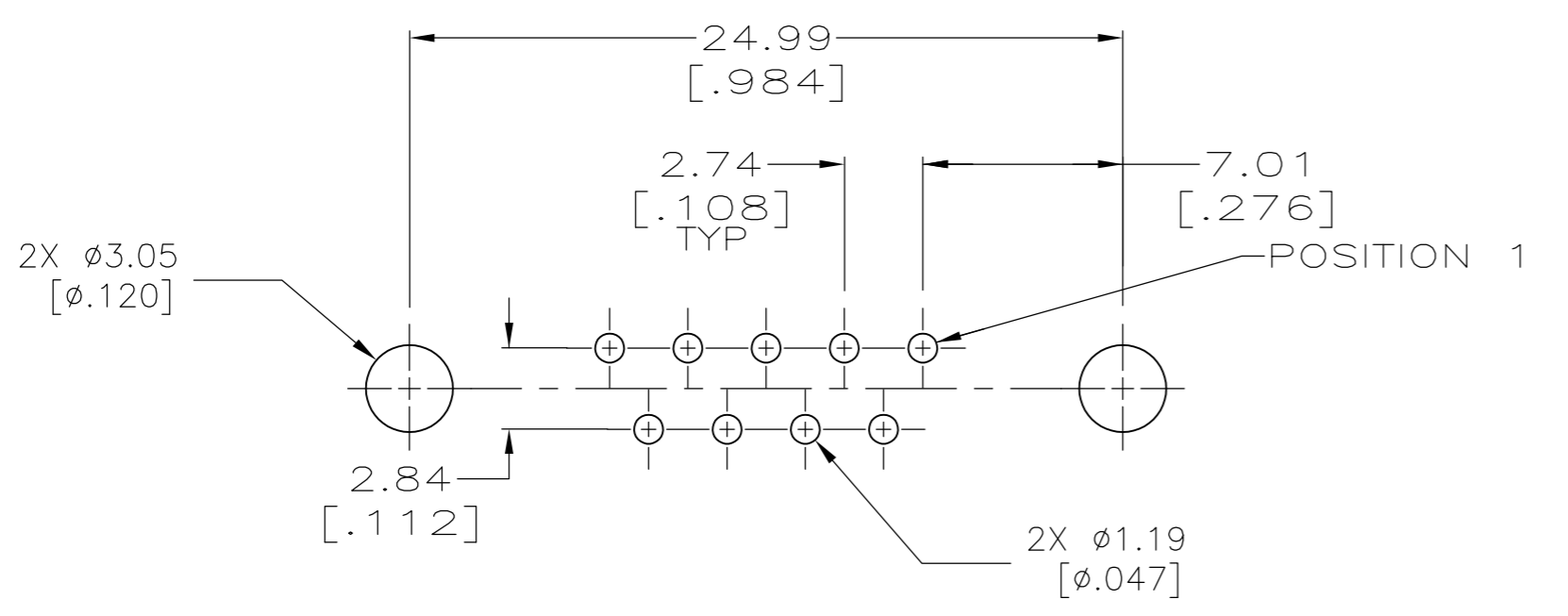
LOC		DIST		REVISIONS			
GP	00	P	LTR	DESCRIPTION	DATE	DWN	APVD
		L		REVISED PER ECO-10-000073	15FEB2010	CJV	SB



- ① MOLDED PARTS: FLAME RETARDANT 94V-0 RATED THERMOPLASTIC; BLACK.
SHELLS: CARBON STEEL.
CONTACTS: PHOS BRONZE.
- ② SHELLS: 5.08µm [.000200] MIN TIN OVER 2.54µm [.000100] MIN COPPER.
- ③ SHELLS: 5.08µm [.000200] MIN BRIGHT TIN OVER 2.54µm [.000100] MIN COPPER. (NO TIN-LEAD)
- ④ CONTACTS: GOLD FLASH ON MATING END, 2.54µm [.000100] MIN TIN-LEAD ON SOLDER END, BOTH OVER 1.27µm [.000050] MIN NICKEL.
- ⑤ CONTACTS: 0.76µm [.000030] MIN GOLD ON MATING END, 2.54µm [.000100] MIN TIN-LEAD ON SOLDER END, BOTH OVER 1.27µm [.000050] MIN NICKEL.
-OR-
GOLD FLASH OVER PALLADIUM-NICKEL, 0.76µm [.000030] MIN TOTAL ON MATING END, 2.54µm [.000100] MIN TIN-LEAD ON SOLDER END, BOTH OVER 1.27µm [.000050] NICKEL.



OBSOLETE	③⑤	4.78 [.188]	1-745183-0
SUPSD 745183-3	②④	8.43 [.322]	745183-9
SUPSD 745183-7	②④	4.78 [.188]	745183-8
	②⑤	4.78 [.188]	745183-7
OBSOLETE	-	-	745183-6
SUPSD 745183-3	②⑤	16.54 [.651]	745183-5
SUPSD 745183-3	②④	10.85 [.427]	745183-4
	②⑤	10.85 [.427]	745183-3
	②④	3.18 [.125]	745183-2
	②⑤	3.18 [.125]	745183-1
FINISH		DIM A	PART NUMBER



P.C. BOARD MOUNTING DIMENSIONS

THIS DRAWING IS A CONTROLLED DOCUMENT.		DWN C.REIFSNYDER 03 AUG 95	Tyco Electronics Corporation Harrisburg, PA 17105-3608	
DIMENSIONS: mm [INCHES]		CHK R.STONE 23 AUG 95	NAME RECEPTACLE ASSY, SIZE 1, 9 POS, VERTICAL, AMPLIMITE™HDP	
TOLERANCES UNLESS OTHERWISE SPECIFIED:		APVD R.TAYLOR 23 AUG 95	PRODUCT SPEC 108-40005	
0 PLC ± -		APPLICATION SPEC 114-40013	SIZE A2	CAGE CODE 00779
1 PLC ± -		WEIGHT -	DRAWING NO C=745183	RESTRICTED TO -
2 PLC ± 0.13 [.005]		CUSTOMER DRAWING	SCALE NTS	SHEET 1 OF 1
3 PLC ± -			REV L	
4 PLC ± -				
ANGLES ± 2°				
FINISH SEE TABLE				

X-ON Electronics

Largest Supplier of Electrical and Electronic Components

Click to view similar products for [D-Sub Standard Connectors](#) category:

Click to view products by [TE Connectivity](#) manufacturer:

Other Similar products are found below :

[56F711-015](#) [012-9507-004](#) [LV242999-142T12](#) [015-0341-000](#) [015-0372-005](#) [015-0372-008](#) [015-8755-001](#) [020419-0104](#) [012-0467-000](#) [012-0515-000](#) [012-9507-034](#) [012-9507-114](#) [020745-0008](#) [609-25P](#) [M24308/2-23Z](#) [CT2-14S-2PCA34](#) [CT2-18-11PCAU](#) [CT2-36-15SC](#) [CT6-10SL-3SC](#) [CT6-10SL-4SC](#) [CT6-14S-2SC](#) [CT6E14SA7SC](#) [M83513/01-FC](#) [M83723/76W24619 L/C](#) [M85049/48-3-2F](#) [6STD09PCM99B70X](#) [6STD09SCM99B30X](#) [6STD09SCT99S40X](#) [6STD15PCT99S40X](#) [6STD15SCM99B30X](#) [6STD15SCT99S40X](#) [6STF09PCM05B70X](#) [7-135760-9](#) [MC11E-10-6SN](#) [747552-3](#) [MD1-21PS](#) [MDM-15SCBRM7-F222](#) [MDM96517-699](#) [MDM96521-744](#) [MDVB1-21SL1](#) [MIK0-1-7SH003](#) [MIKQ6-7SH076](#) [MIKQ7-7PH077](#) [MIKQ7-7PH11](#) [MIKQ7-7PH32](#) [MJSV-28SL61](#) [MKJ4A1F14-55S](#) [8-135760-3](#) [8STD09PCM99B30X](#) [PG-KV/PV-16-GROM-SEALING](#)