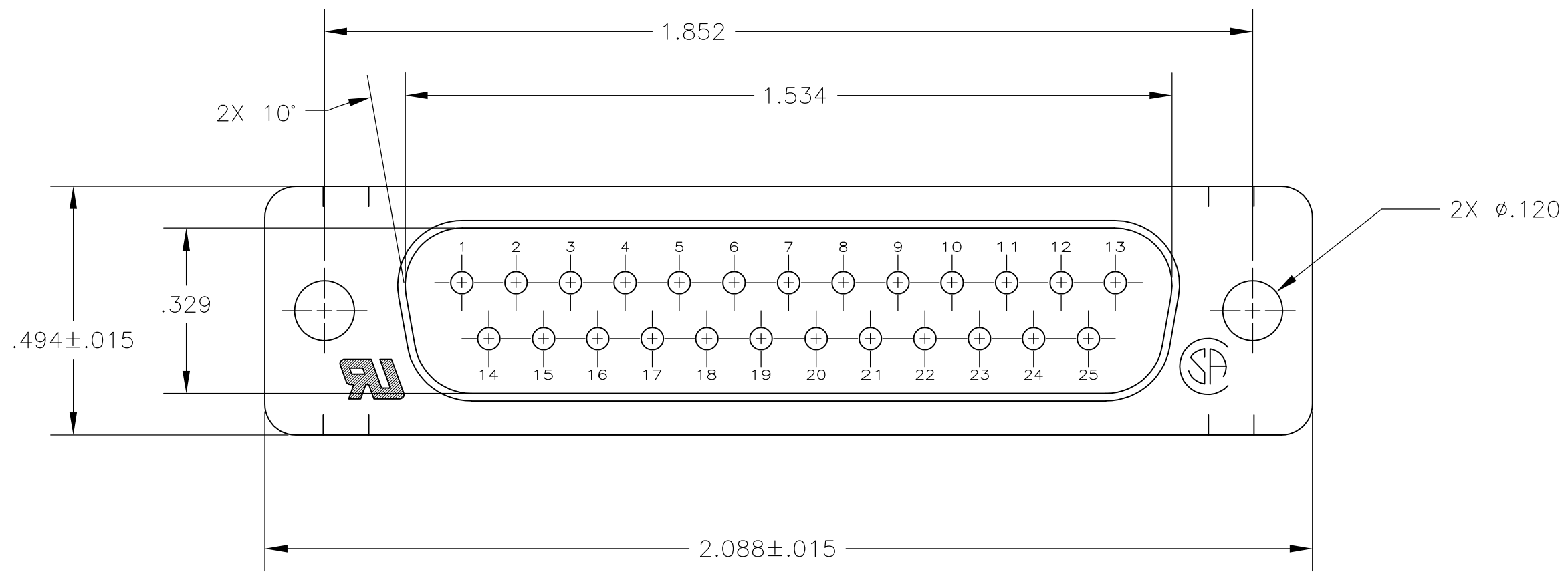
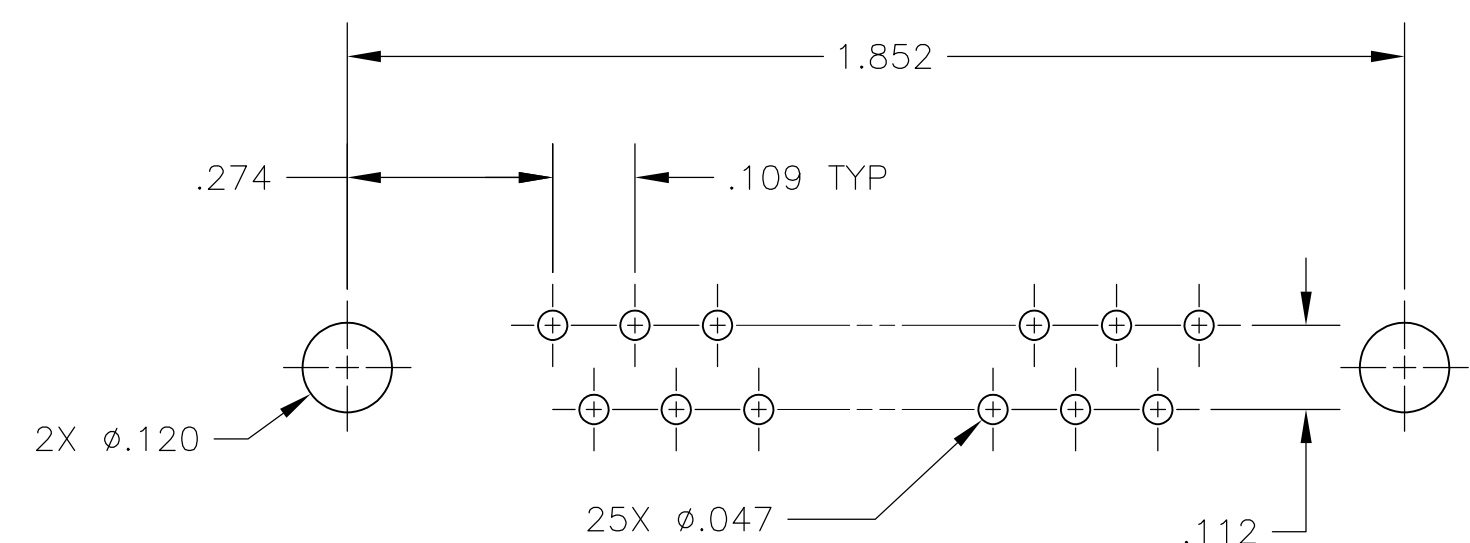
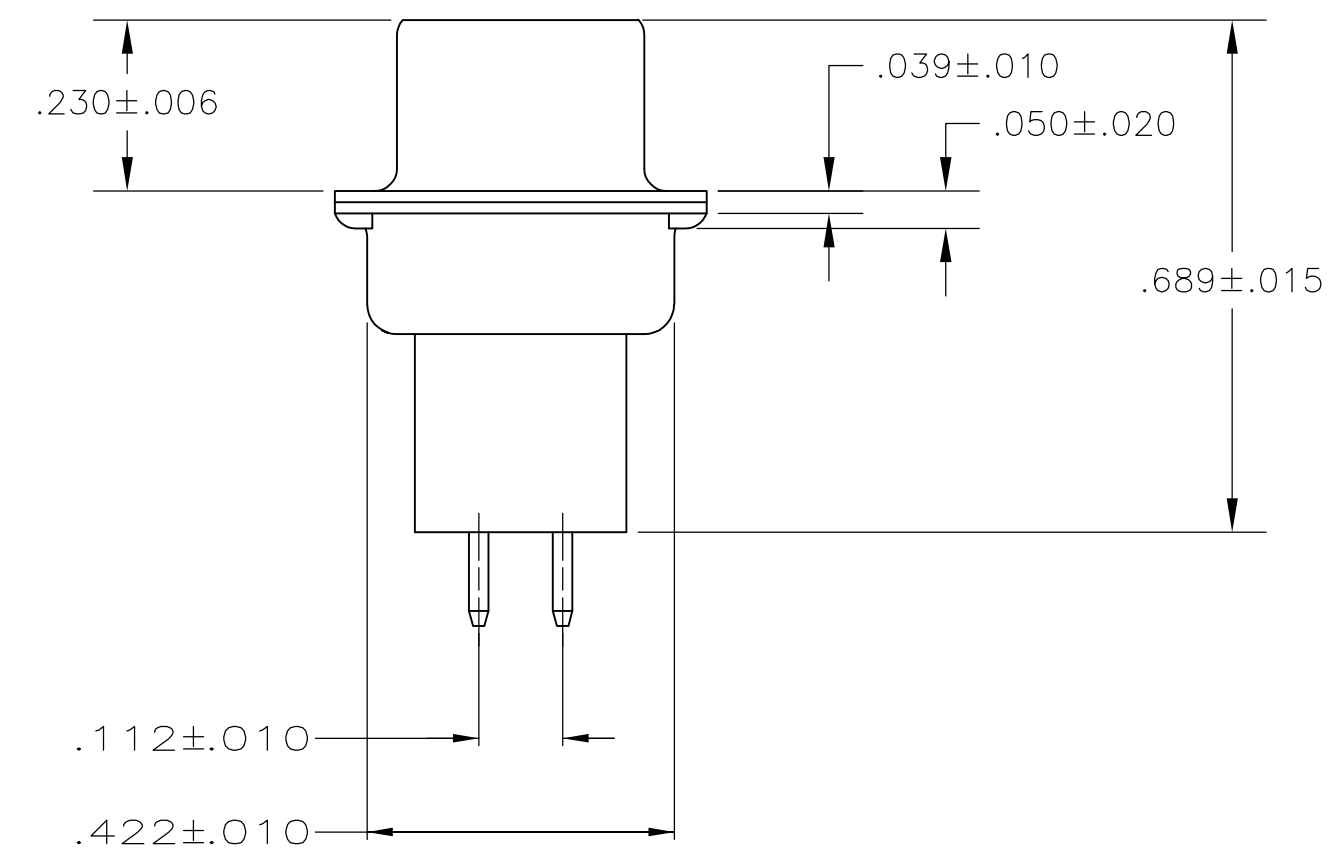
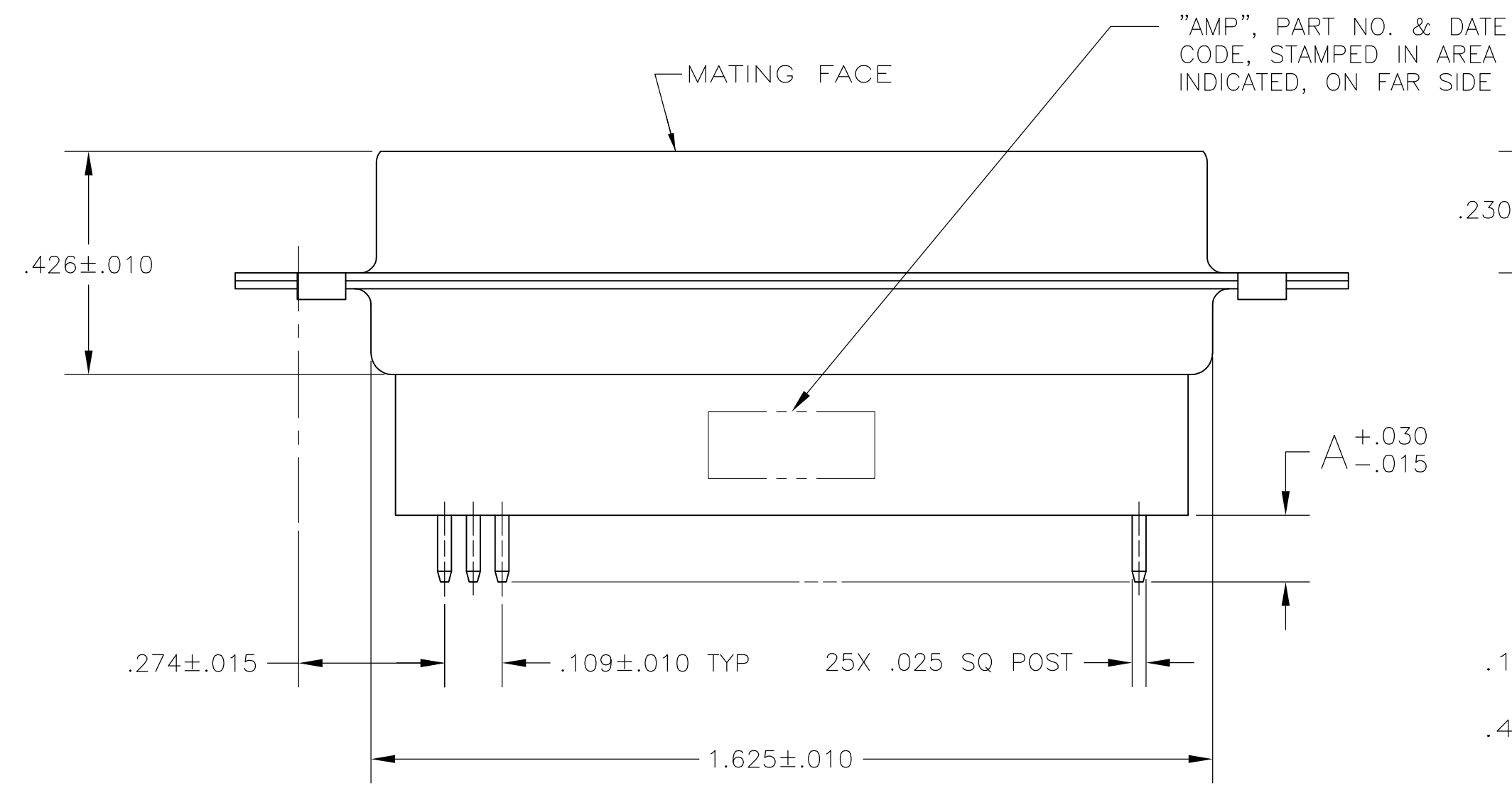


THIS DRAWING IS UNPUBLISHED. RELEASED FOR PUBLICATION  
 © COPYRIGHT BY TYCO ELECTRONICS CORPORATION. ALL INTERNATIONAL RIGHTS RESERVED.

LOC		DIST		REVISIONS			
P	LTR	DESCRIPTION	DATE	DWN	APVD		
GP	00						
	L	REVISED PER ECO-10-000073	15FEB2010	CJV	SB		



- 1. NOTE DELETED.
- 2. MOLDED COMPONENT MATERIAL: FLAME RETARDANT 94V-0 RATED THERMOPLASTIC; COLOR: BLACK.
- 3. SHELL MATERIAL: STEEL.
- 4. CONTACT MATERIAL: BRASS.
- 5. NOTE DELETED.
- 6. SHELL FINISH: TIN PLATED.
- 7. CONTACT FINISH: GOLD PLATED FOR LENGTH OF .150 MIN FROM MATING END, GOLD FLASH IN MATED AREA, .000100 MIN TIN-LEAD ON OPPOSITE END, BOTH OVER .000050 MIN NICKEL.
- 8. CONTACT FINISH: GOLD PLATED FOR LENGTH OF .150 MIN FROM MATING END, .000030 MIN GOLD IN MATED AREA, .000100 MIN TIN-LEAD ON ON SOLDER END, ALL OVER .000050 MIN NICKEL.



P.C. BOARD MOUNTING DIMENSIONS

SUPSD BY 205737-8	△△	.188	745186-8
SUPSD BY 745412-7	△△	.188	745186-7
	△△	.651	745186-6
	△△	.651	745186-5
	△△	.427	745186-4
SUPSD BY 205737-3	△△	.427	745186-3
	△△	.125	745186-2
SUPSD BY 745412-1	△△	.125	745186-1
	FINISH	A	PART NUMBER

THIS DRAWING IS A CONTROLLED DOCUMENT.		DWN	J.GERACE	10-25-83	Tyco Electronics Corporation Harrisburg, PA 17105-3608
DIMENSIONS: INCHES		CHK	J.GERACE	10-25-83	
TOLERANCES UNLESS OTHERWISE SPECIFIED:		APVD	B. TAYLOR	01-04-84	
0 PLC ± - 1 PLC ± - 2 PLC ± - 3 PLC ± .005 4 PLC ± - ANGLES ± 2° FINISH SEE TABLE		NAME	B. TAYLOR 108-40025 APPLICATION SPEC 114-40013		
MATERIAL		WEIGHT	-		SIZE A2 CAGE CODE 00779 DRAWING NO C=745186 RESTRICTED TO -
		CUSTOMER DRAWING		SCALE NTS	SHEET 1 of 1

## X-ON Electronics

Largest Supplier of Electrical and Electronic Components

*Click to view similar products for [D-Sub Standard Connectors](#) category:*

*Click to view products by [TE Connectivity](#) manufacturer:*

Other Similar products are found below :

[56F706-005-LI](#) [56F711-015](#) [LV242999-142T12](#) [015-0341-000](#) [015-0349-000](#) [015-0350-000](#) [015-8544-011](#) [015-8755-001](#) [017041-0005](#)  
[020419-0104](#) [012-0467-000](#) [012-9507-114](#) [020745-0008](#) [609-25P](#) [609-9P](#) [M24308/2-23Z](#) [M24308/2-36Z](#) [CT0-24-10SC](#) [CT0E20-8PS](#)  
[CT0E22-14SC](#) [CT0F16S-1SC](#) [CT0FA22-1SS](#) [CT0P14S-5SXS](#) [CT0P22-14PS](#) [CT0TA16-11SXCA232](#) [CT0U22-14PSA206F127](#) [CT1E20-](#)  
[19SS](#) [CT1E20-22SCAU-G9](#) [CT1F22-14PC-G9](#) [CT1FC22-2PC](#) [CT1FC24-28SSAU](#) [CT1N22-22SS](#) [CT2-10SL-3SC](#) [CT2-14S-2PCA34](#) [CT2-](#)  
[18-10PS-FMLB-D](#) [CT2-18-11PCAU](#) [CT2-18-1PSAUA34](#) [CT2-22-19SC](#) [CT2-22-19SS-A206](#) [CT2-24-2PS](#) [CT2-28-12SC](#) [CT2-28-](#)  
[12SCA232](#) [CT2-28-12SSA232](#) [CT6-10SL-3SC](#) [CT6-10SL-4SC](#) [CT6-16-12SC](#) [CT6-18-10PSA206](#) [CT6-18-10PSA232](#) [CT6-18-](#)  
[10SSF127A206](#) [CT6-28-22SS](#)