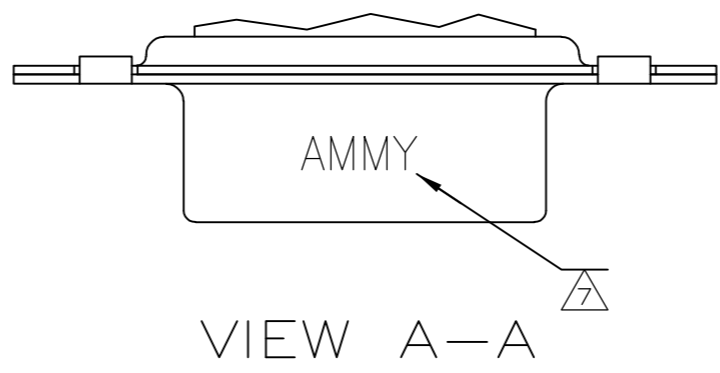
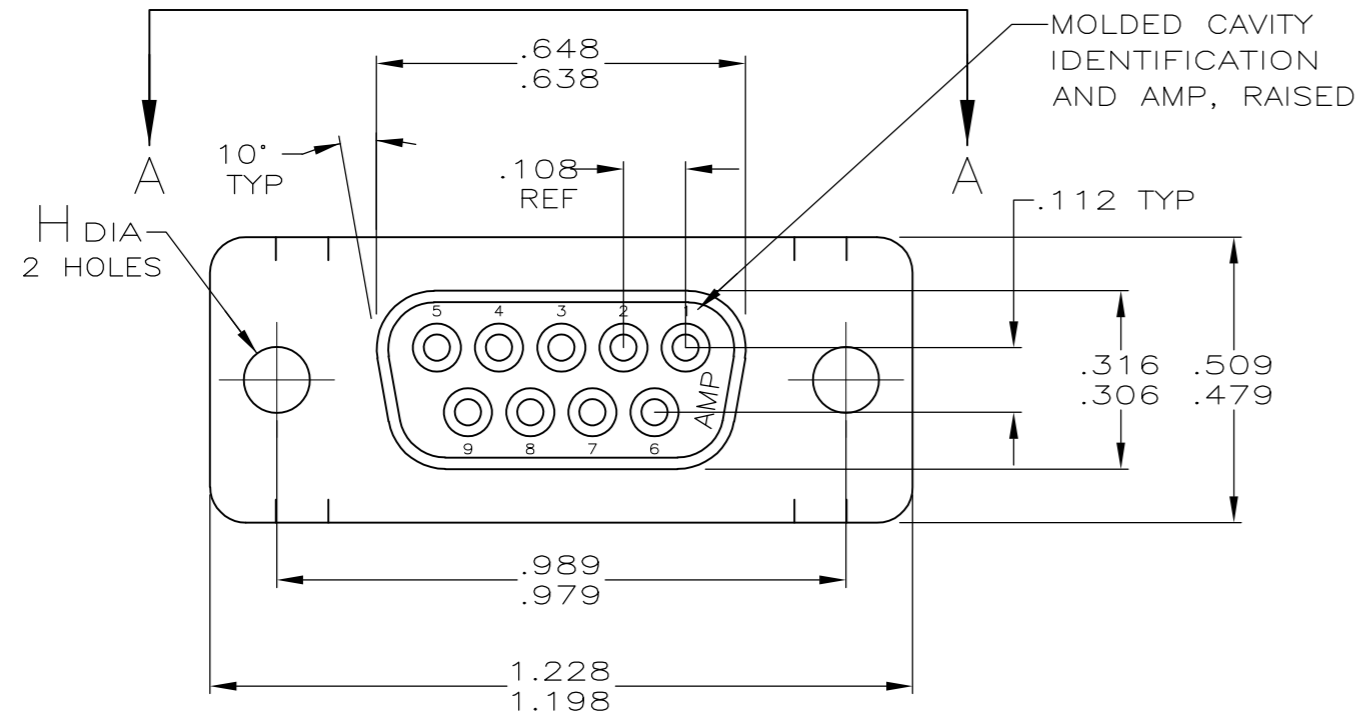
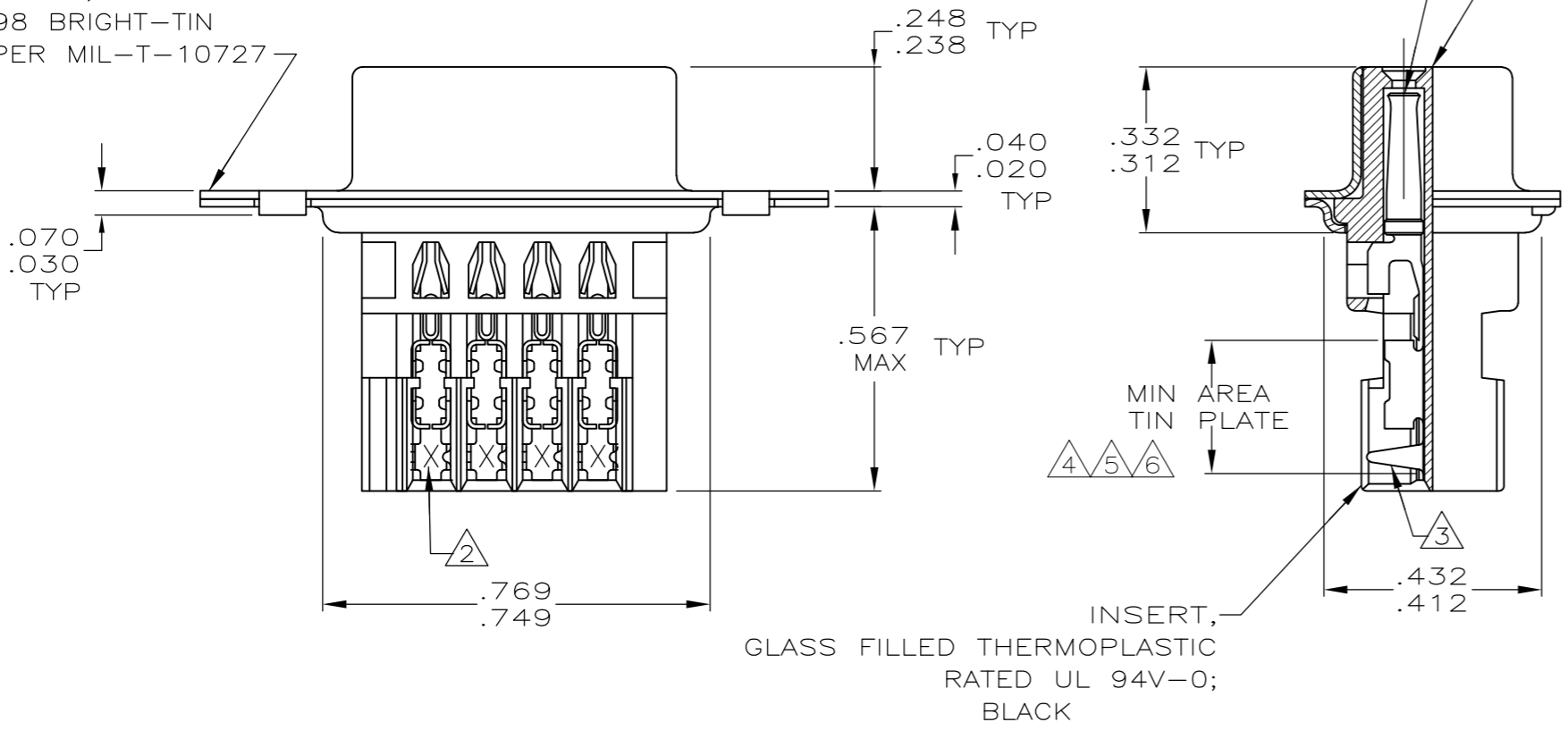


THIS DRAWING IS UNPUBLISHED. RELEASED FOR PUBLICATION
 © COPYRIGHT - By - ALL RIGHTS RESERVED.

LOC	DIST	REVISIONS					
GP	00	P	LTR	DESCRIPTION	DATE	DWN	APVD
		M3		REVISED PER ECO-11-004835	11MAR11	RK	HMR



SHELL, STEEL, PER QQ-S-698 BRIGHT-TIN PLATED PER MIL-T-10727



- 1 HOUSING FULLY LOADED WITH CONTACTS.
- 2 NUMBER ON CONTACT INDICATES WIRE RANGE.
- 3 CONTACT INSULATION RANGE: .060 MAXIMUM O.D.
- 4 .000030 GOLD ON MATING END FOR .100 MIN LENGTH. .000100-.000200 BRIGHT TIN OR BRIGHT TIN-LEAD IN AREA SHOWN. .000050 NICKEL UNDERPLATE ON ENTIRE CONTACT.
- 5 .000001 MIN GOLD ON MATING END FOR .100 MIN LENGTH. .000100-.000200 BRIGHT TIN OR BRIGHT TIN-LEAD IN AREA SHOWN. .000030 NICKEL UNDERPLATE ON ENTIRE CONTACT.
- 6 .000050 MIN GOLD FOR A LENGTH OF .100 MIN FROM MATING END. .000100 MIN TIN OR TIN-LEAD IN TIN PLATE AREA. BOTH OVER .000050 MIN NICKEL.
- 7 SPECIAL DATE CODE IN THIS APPROXIMATE AREA. A; MM = MONTH; Y = LAST DIGIT OF YEAR.
- 8 SUPERSEDED BY 745491-5
- 9 SUPERSEDED BY 745491-3
- 10 SUPERSEDED BY 745491-1
- 11 .000030 GOLD ON MATING END FOR .100 MIN LENGTH. .000100-.000200 MATTE TIN IN AREA SHOWN. .000050 NICKEL UNDERPLATE ON ENTIRE CONTACT.
- 12 .000001 MIN GOLD ON MATING END FOR .100 MIN LENGTH. .000100-.000200 MATTE TIN IN AREA SHOWN. .000030 NICKEL UNDERPLATE ON ENTIRE CONTACT.

	STANDARD	.125 .115	11	3	#20-22	1-745491-9
	STANDARD	.125 .115	12	2	#22-26	1-745491-8
	STANDARD	.125 .115	11	2	#22-26	1-745491-7
	STANDARD	.125 .115	11	1	#26-30	1-745491-6
	SMALL PACK	.125 .115	5	2	#22-26	1-745491-5
7	OBSOLETE	STANDARD .120	6	2	#22-26	1-745491-3
	OBSOLETE			3	#20-22	1-745491-2
	OBSOLETE	STANDARD .156 .146	5	2	#22-26	1-745491-1
	OBSOLETE			1	#26-30	1-745491-0
	OBSOLETE			3	#20-22	745491-9
	OBSOLETE	STANDARD .156 .146	4	2	#22-26	745491-8
	OBSOLETE			1	#26-30	745491-7
	OBSOLETE			3	#20-22	745491-6
	OBSOLETE	STANDARD .125 .115	5	2	#22-26	745491-5
	OBSOLETE			1	#26-30	745491-4
	OBSOLETE			3	#20-22	745491-3
	OBSOLETE	STANDARD .125 .115	4	2	#22-26	745491-2
	OBSOLETE			1	#26-30	745491-1
	PACKAGING	H	CONTACT FINISH	2	AWG WIRE RANGE	PART NUMBER

THIS DRAWING IS A CONTROLLED DOCUMENT.

DIMENSIONS: INCHES	TOLERANCES UNLESS OTHERWISE SPECIFIED:	DWN L. VARELA - DOCK5 CHK J. GERACE APVD M. WALMSLEY	11-16-04 4-12-90 11-16-04	NAME	TE Connectivity
MATERIAL SEE CALL OUT	FINISH SEE TABLE	PRODUCT SPEC 108-40011 APPLICATION SPEC 114-40002	WEIGHT -	SIZE A2	CAGE CODE 00779
		CUSTOMER DRAWING	SCALE 4:1	SHEET 1 of 1	REV M3

RECEPTACLE ASSEMBLY, METAL SHELL, SIZE 1, 9 POSITION, SERIES HDE-20 FOR MASS TERMINATION

RESTRICTED TO

X-ON Electronics

Largest Supplier of Electrical and Electronic Components

Click to view similar products for [Headers & Wire Housings](#) category:

Click to view products by [TE Connectivity](#) manufacturer:

Other Similar products are found below :

[95000-104TRLF](#) [10135584-644402LF](#) [DF62W-EP2022PCA](#) [95000-106TRLF](#) [DF62W-2022SCA](#) [DF62W-EP2022PC](#) [2203348](#) [DF62W-2022SC](#) [1084018](#) [1029039](#) [1084017](#) [802-10-012-10-002000](#) [1112640](#) [1112639](#) [000-34000](#) [0009482033](#) [0009507031](#) [57102-S06-03LF](#) [57202-S52-04LF](#) [PCN6-15S-2.5E](#) [0039019024](#) [58102-G61-06LF](#) [582553-1](#) [0009508121](#) [0050291907](#) [018731A](#) [LY20-4P-DT1-P1E-BR](#) [02.125.8002.8](#) [60101931](#) [60598-1 \(Cut Strip\)](#) [M1625-3R/100](#) [61062-3](#) [61082-181009](#) [636-1427](#) [638009-1](#) [641938-9](#) [641991-4](#) [644168-1](#) [647662-1](#) [65039-019ELF](#) [65817-002LF](#) [65817-015LF](#) [65863-015LF](#) [66207-023LF](#) [67016-026LF](#) [67046-001LF](#) [67095-007LF](#) [68002-116](#) [68016-236H](#) [68648-049](#)