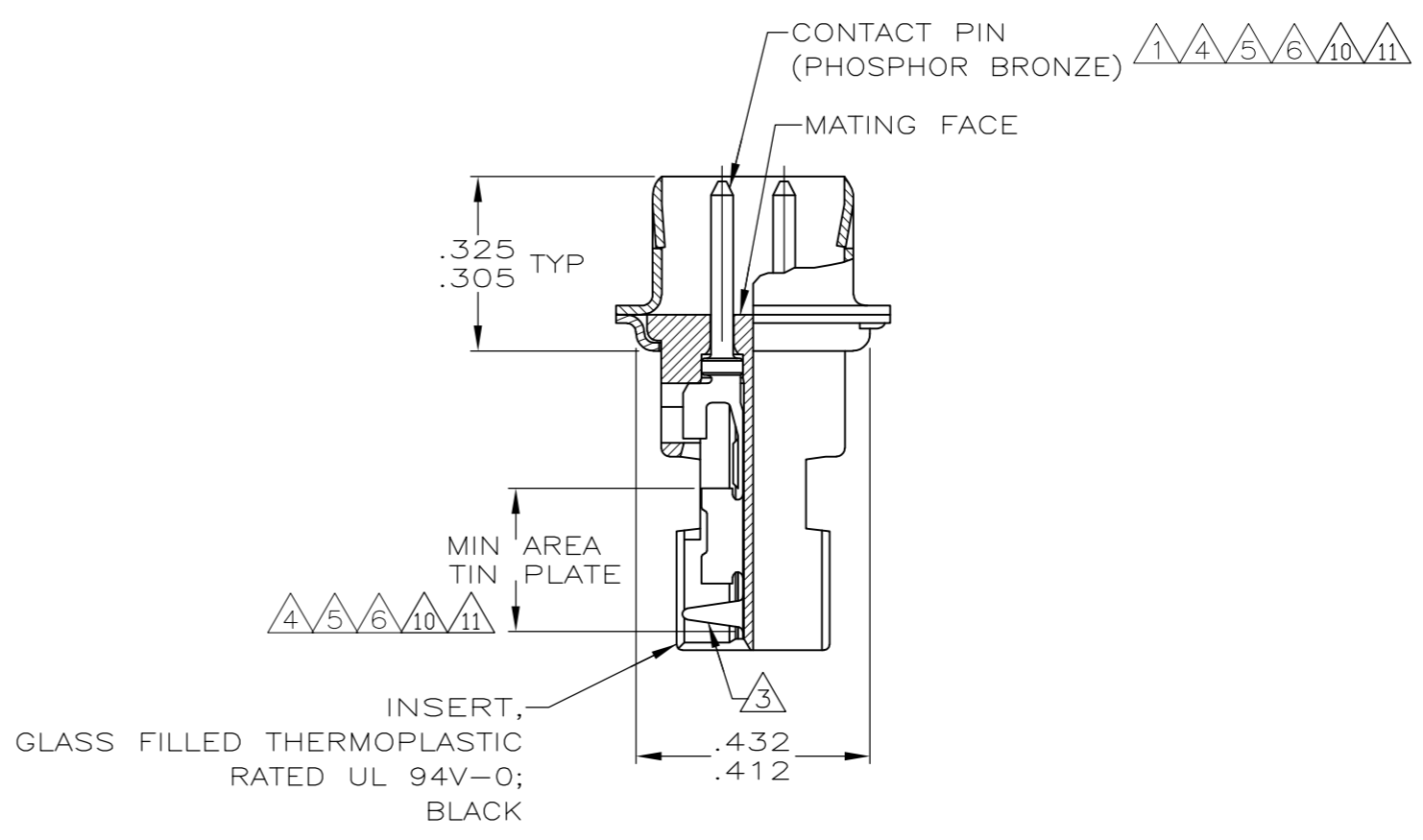
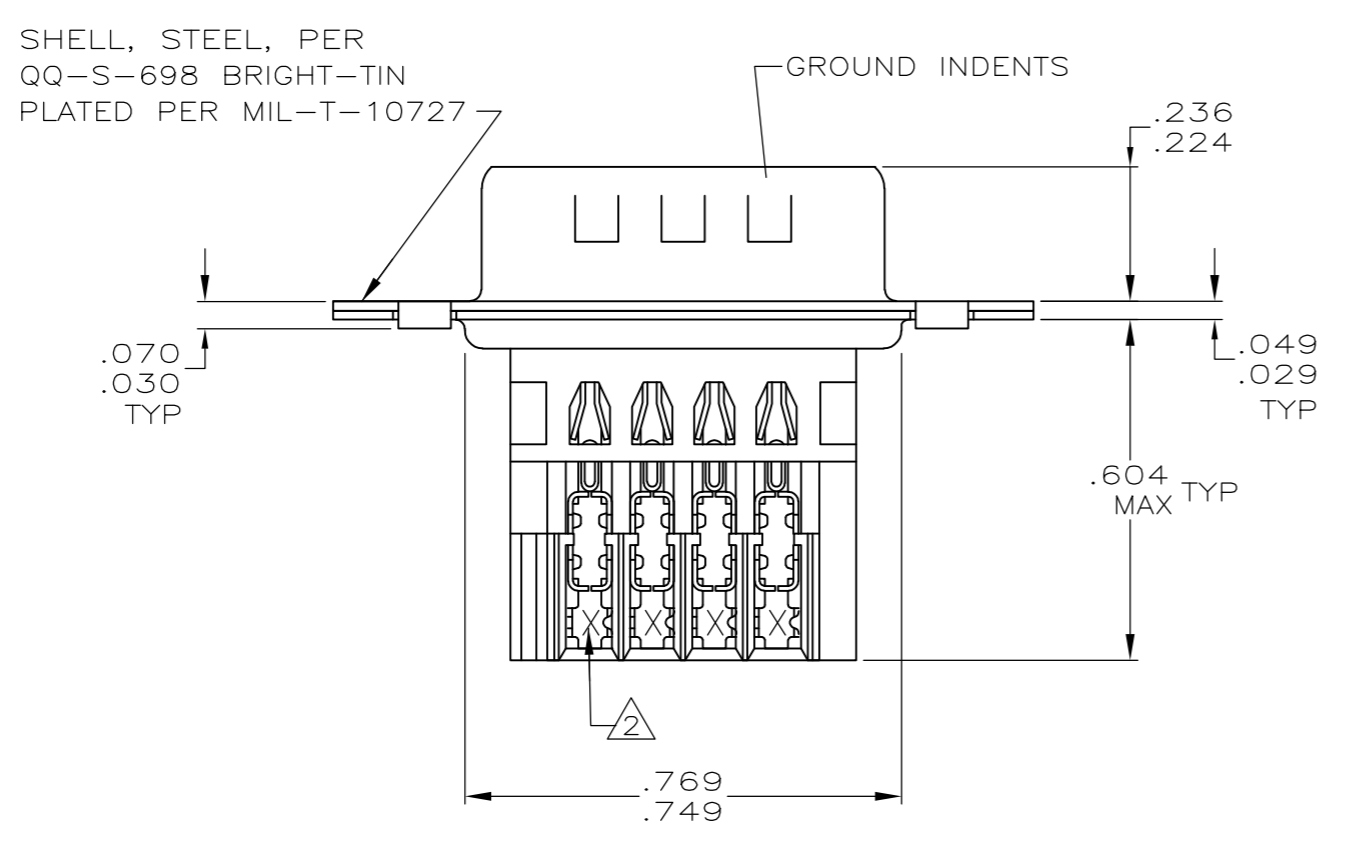
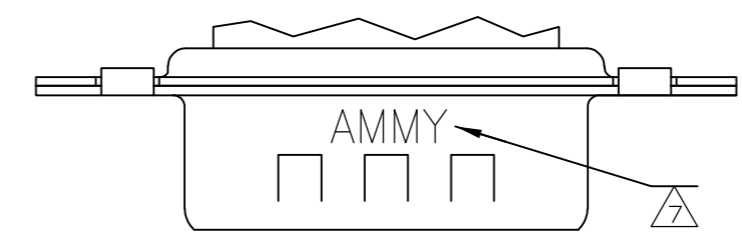
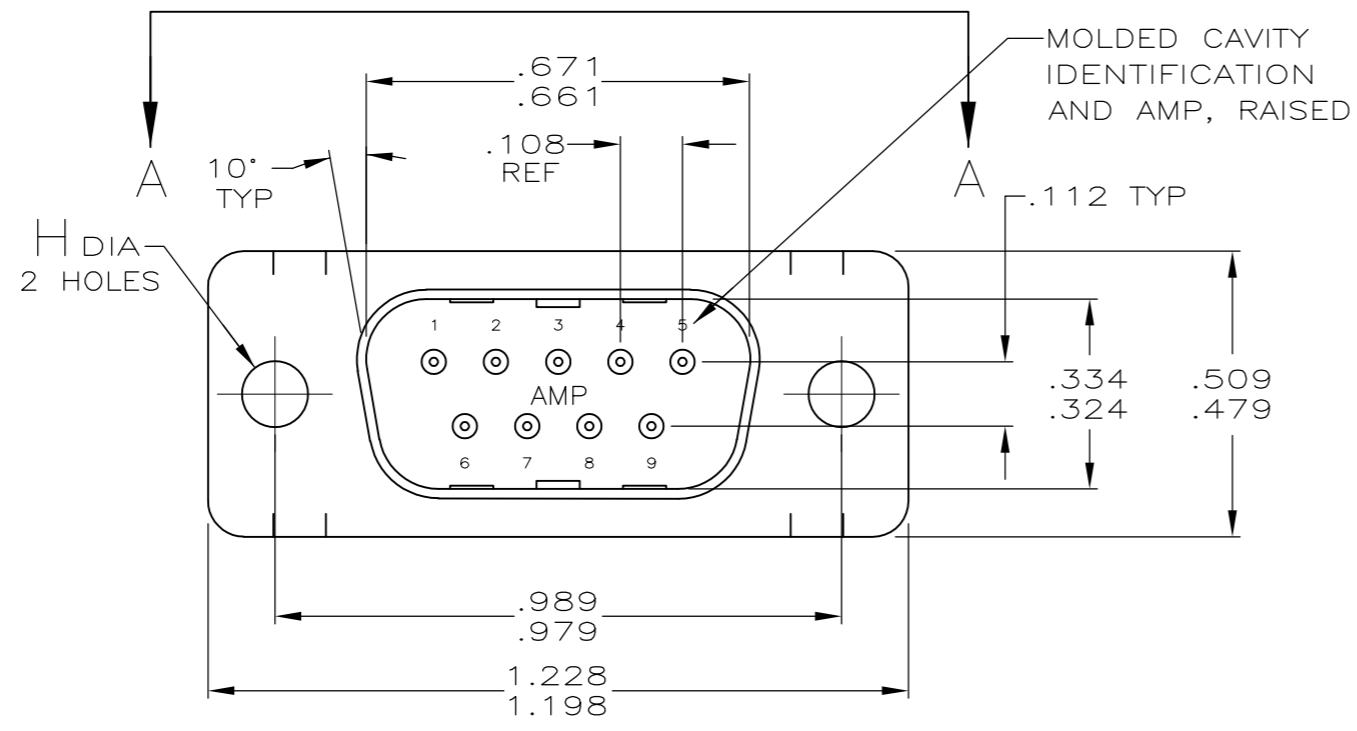


THIS DRAWING IS UNPUBLISHED. RELEASED FOR PUBLICATION  
 © COPYRIGHT - By - ALL RIGHTS RESERVED.

LOC	DIST	REVISIONS					
GP	00	P	LTR	DESCRIPTION	DATE	DWN	APVD
		S1		REVISED PER ECO-11-004835	11MAR11	RK	HMR



THIS DRAWING IS A CONTROLLED DOCUMENT.		DWN	L. VAREAL	11-16-04		TE Connectivity			
DIMENSIONS: INCHES		CHK	J. GERACE	11-16-04		NAME			
TOLERANCES UNLESS OTHERWISE SPECIFIED:		APVD	M. WALMSLEY	11-16-04		PRODUCT SPEC			
0 PLC ± - 1 PLC ± - 2 PLC ± - 3 PLC ± .005 4 PLC ± - ANGLES ± 2°		APPLICATION SPEC		108-40011					
MATERIAL: SEE CALL OUT		FINISH: SEE TABLE		WEIGHT: -		SIZE: A2	CAGE CODE: 00779	DRAWING NO: C-745492	RESTRICTED TO: -
CUSTOMER DRAWING						SCALE: 4:1	SHEET: 1 OF 2	REV: S1	

THIS DRAWING IS UNPUBLISHED. RELEASED FOR PUBLICATION  
 © COPYRIGHT - By - ALL RIGHTS RESERVED.

LOC	DIST	REVISIONS			
P	LTR	DESCRIPTION	DATE	DWN	APVD
GP	00				
		SEE SHEET 1			

- 1 HOUSING FULLY LOADED WITH CONTACTS.
- 2 NUMBER ON CONTACT INDICATES WIRE RANGE.
- 3 CONTACT INSULATION RANGE: .060 MAXIMUM O.D.
- 4 CONTACTS GOLD PLATED FOR A LENGTH OF .150 MIN FROM MATING END, .000030 MIN GOLD IN MATED AREA, .000100-.000200 BRIGHT TIN OR BRIGHT TIN-LEAD IN AREA SHOWN, ALL OVER .000050 MIN NICKEL UNDERPLATE ON ENTIRE CONTACT.  
OR  
CONTACTS GOLD PLATED FOR A LENGTH OF .150 MIN FROM MATING END, GOLD FLASH OVER .000030 MIN PALLADIUM-NICKEL IN MATED AREA, .000100-.000200 BRIGHT TIN OR BRIGHT TIN-LEAD IN AREA SHOWN, ALL OVER .000050 MIN NICKEL UNDERPLATE ON ENTIRE CONTACT.
- 5 GOLD PLATED FOR LENGTH OF .150 MIN FROM MATING END, GOLD FLASH IN MATED AREA. .000100-.000200 BRIGHT TIN OR BRIGHT IN TIN-LEAD AREA SHOWN. .000030 NICKEL UNDERPLATE ON ENTIRE CONTACT.
- 6 GOLD PLATED FOR LENGTH OF .150 MIN FROM MATING END, .000050 MIN GOLD IN MATED AREA. .000100-.000200 BRIGHT TIN OR BRIGHT IN TIN-LEAD AREA SHOWN. .000050 NICKEL UNDERPLATE ON ENTIRE CONTACT.
- 7 SPECIAL DATE CODE IN THIS APPROXIMATE AREA.  
A; MM = MONTH; Y = LAST DIGIT OF YEAR.
- 8 OBSOLETE.
- 9 SUPERSEDED BY 745492-1
- 10 CONTACTS GOLD PLATED FOR A LENGTH OF .150 MIN FROM MATING END, .000030 MIN GOLD IN MATED AREA, .000100-.000200 MATTE TIN IN AREA SHOWN, ALL OVER .000050 MIN NICKEL UNDERPLATE ON ENTIRE CONTACT.  
OR  
CONTACTS GOLD PLATED FOR A LENGTH OF .150 MIN FROM MATING END, GOLD FLASH OVER PALLADIUM-NICKEL, .000030 MIN TOTAL IN MATED AREA, .000100-.000200 MATTE TIN IN AREA SHOWN, ALL OVER .000050 MIN NICKEL UNDERPLATE ON ENTIRE CONTACT.
- 11 CONTACTS PLATED GOLD FLASH FOR A LENGTH OF .150 MIN FROM MATING END, .000100-.000200 MATTE TIN IN AREA SHOWN, ALL OVER .000030 MIN NICKEL UNDERPLATE ON ENTIRE CONTACT.

STANDARD	.125 .115	11	2	#22-26	2-745492-0
STANDARD	.125 .115	10	3	#20-22	1-745492-9
STANDARD	.125 .115	10	2	#22-26	1-745492-8
STANDARD	.125 .115	10	1	#26-30	1-745492-7
SMALL PACK	.125 .115	5	2	#22-26	1-745492-5
STANDARD	.125 .115	6	2	#22-26	1-745492-3
STANDARD	.156 .146	5	3	#20-22	1-745492-2
			2	#22-26	1-745492-1
			1	#26-30	1-745492-0
STANDARD	.156 .146	4	3	#20-22	745492-9
			2	#22-26	745492-8
			1	#26-30	745492-7
STANDARD	.125 .115	5	3	#20-22	745492-6
			2	#22-26	745492-5
			1	#26-30	745492-4
STANDARD	.125 .115	4	3	#20-22	745492-3
			2	#22-26	745492-2
			1	#26-30	745492-1
PACKAGING	H	CONTACT FINISH	2	AWG WIRE RANGE	PART NUMBER

THIS DRAWING IS A CONTROLLED DOCUMENT.		DWN 11-16-04 L. VAREAL - DOCK5	<b>STE</b> TE Connectivity	
DIMENSIONS: INCHES		CHK 11-16-04 J. GERACE		
TOLERANCES UNLESS OTHERWISE SPECIFIED:		APVD 11-16-04 M. WALMSLEY	NAME	
0 PLC ± -		PRODUCT SPEC	PLUG ASSEMBLY,	
1 PLC ± -		108-40011	METAL SHELL, SIZE 1, 9 POSITION,	
2 PLC ± -		APPLICATION SPEC	SERIES HDE-20 FOR MASS TERMINATION	
3 PLC ± .005		114-40002	SIZE	RESTRICTED TO
4 PLC ± -		WEIGHT -	A2	
ANGLES ± 2°		FINISH	CAGE CODE 00779	DRAWING NO C=745492
MATERIAL SEE CALL OUT		FINISH SEE TABLE	SCALE 4:1	SHEET 2 of 2
		CUSTOMER DRAWING	REV S1	

## X-ON Electronics

Largest Supplier of Electrical and Electronic Components

*Click to view similar products for [D-Sub Standard Connectors](#) category:*

*Click to view products by [TE Connectivity](#) manufacturer:*

Other Similar products are found below :

[DCM37S732N](#) [DAM15P500](#) [DEV09S364GTLF](#) [DEM09P032N](#) [DDM50P732N](#) [DAM15S332N](#) [173109-2218](#) [173109-2466](#) [173109-2469](#)  
[173109-2435](#) [56F706-005-LI](#) [56F711-015](#) [015-0341-000](#) [017041-0005](#) [012-9507-114](#) [012-9534-001](#) [609-25P](#) [M24308/2-23Z](#) [M243082310F](#)  
[M24308/2-36Z](#) [M243082411F](#) [M24308315F](#) [M24308/4-21](#) [M243084437F](#) [CT0M22-23SS](#) [CT1N36-5SC](#) [CT2-16S-17PS](#) [CT2-20-15PCAU](#)  
[CT2-24-12PS](#) [CT2-24-28PSF127A206](#) [CT6F9767-14-4-14S-5PC](#) [CT7-18-10SC](#) [CT7-18-10SCAU](#) [CT7-18-12SCAU](#) [CT7-18-1PC](#) [CT7-18-](#)  
[1PCAU](#) [CT7-18-1SC](#) [CT7-18-21SCAU](#) [CT9-16-12PS](#) [M83513/01-FC](#) [M83723/76W24619 L/C](#) [M85049/48-3-2F](#) [69001-865](#)  
[6STD09PCM99B70X](#) [6STD09SCM99B30X](#) [6STD09SCT99S40X](#) [6STD15PCT99S40X](#) [6STD15SCM99B30X](#) [6STD15SCT99S40X](#)  
[6STF09PCM05B70X](#)