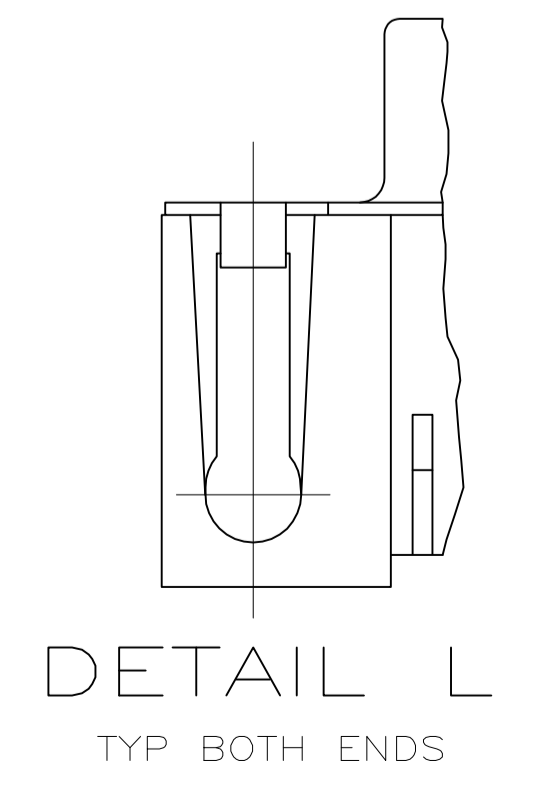
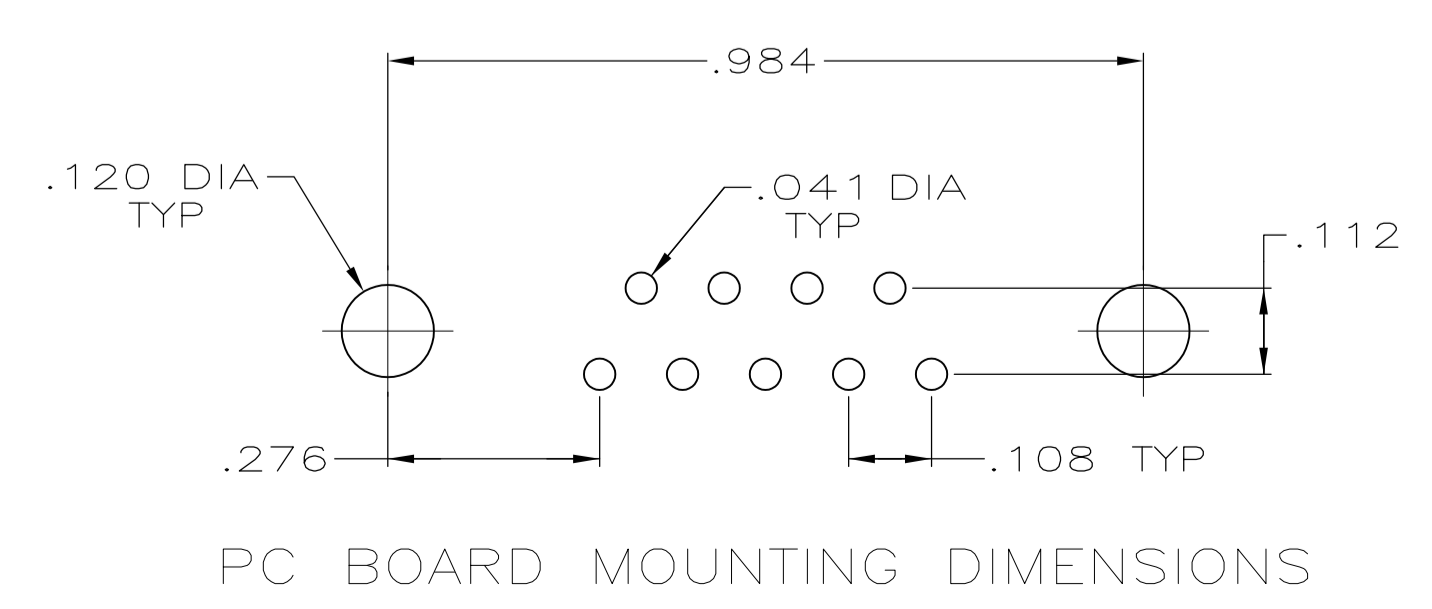
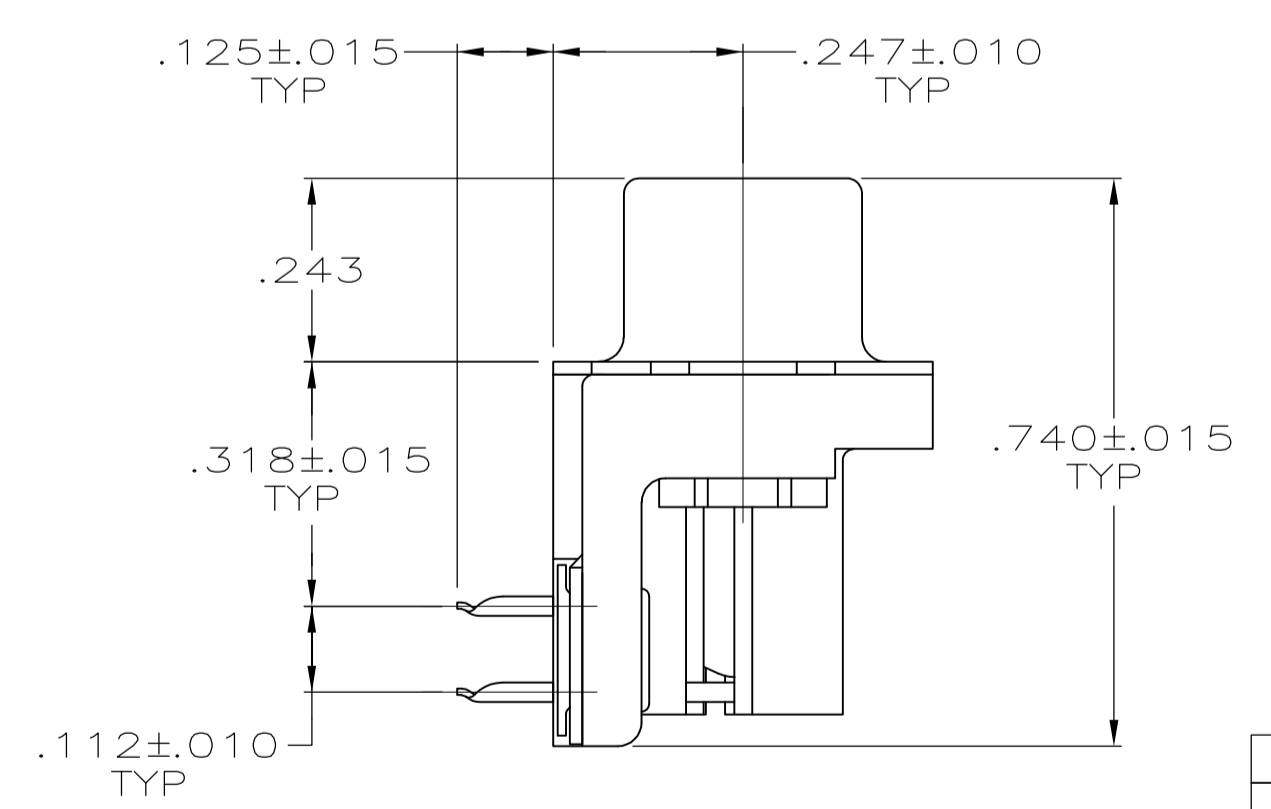
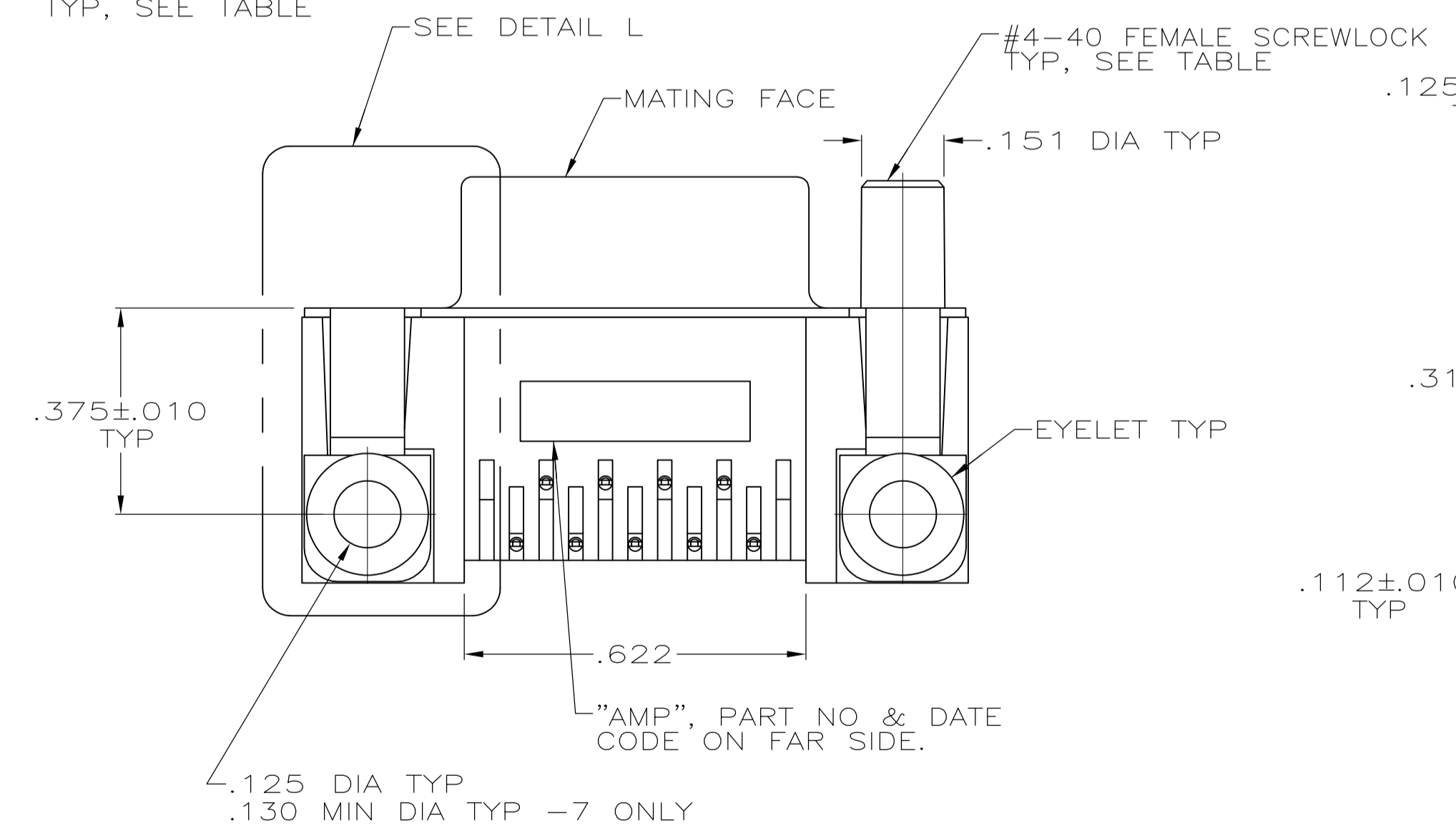
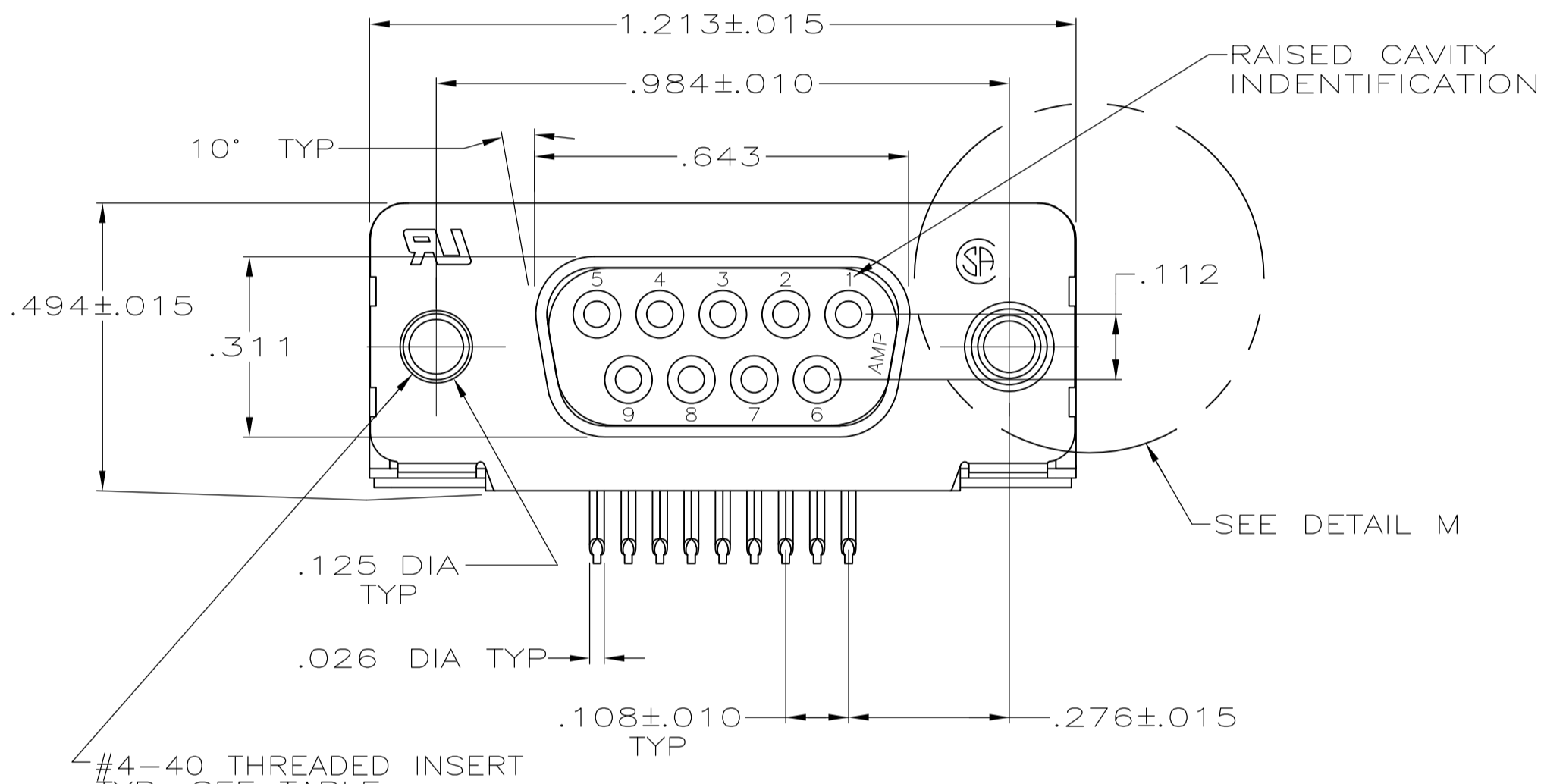


- CONNECTOR MATES WITH ANY 9 POSN PLUG IN AMPLIMITE™ SERIES & COMPLIES WITH AMP SPEC 108-40005 WHERE APPLICABLE.
- MOLDED PARTS: FLAME RETARDANT 94V-0 RATED THERMOPLASTIC, BLACK.  
SHELL: STEEL PER ASTM A109  
CONTACTS: PHOSPHOR BRONZE PER QQ-B-750  
EYELETS: BRASS  
SCREWLOCKS: ZINC  
INSERTS: ZINC
- SHELL: TIN PLATED  
CONTACTS: SEE TABLE  
EYELETS: TIN PLATED  
SCREWLOCKS: CLEAR CHROMATE  
INSERTS: CLEAR CHROMATE
- GOLD PLATING PER MIL-G-45204, NICKEL PLATING PER QQ-N-290, TIN PER MIL-T-10727.
- GOLD FLASH FOR A DISTANCE OF .100 MIN FROM MATING END, TIN PLATED .000100-.000200 ON OPPOSITE END, ALL OVER .000050 NICKEL.
- .000030 GOLD FOR A DISTANCE OF .100 MIN FROM MATING END, TIN PLATED .000100-.000200 ON OPPOSITE END, ALL OVER .000050 NICKEL.
- .000015 MIN GOLD FOR A DISTANCE OF .100 MIN FROM MATING END, TIN PLATED .000100-.000200 ON OPPOSITE END, ALL OVER .000030 NICKEL.
- SCREWLOCKS REQUIRED FOR 1--5 CONNECTOR ASSEMBLIES WILL BE BULK PACKED & SHIPPED WITH CONNECTORS.
- SCREWLOCKS & LOCK WASHERS FOR 1--6 CONNECTOR ASSEMBLIES WILL BE BULK PACKED & SHIPPED WITH CONNECTORS.



OBSOLETE	THREADED INSERTS, SCREWLOCKS & LK WASH	GROUNDING STRAPS	6	1-745781-6
OBSOLETE	FEMALE SCREWLOCKS & THREADED INSERTS	GROUNDING STRAPS	5	1-745781-5
OBSOLETE	NONE	GROUNDING STRAPS	7	1-745781-4
OBSOLETE	FEMALE SCREWLOCKS	CLINCH TABS (SEE DETAIL L)	6	1-745781-3
OBSOLETE	FEMALE SCREWLOCKS	CLINCH TABS (SEE DETAIL L)	5	1-745781-2
SUPSD BY 745781-4	THREADED INSERTS	CLINCH TABS (SEE DETAIL L)	6	1-745781-1
SUPSD BY 745781-4	THREADED INSERTS	CLINCH TABS (SEE DETAIL L)	5	1-745781-0
OBSOLETE	NONE	CLINCH TABS (SEE DETAIL L)	6	745781-9
OBSOLETE	NONE	CLINCH TABS (SEE DETAIL L)	5	745781-8
OBSOLETE	FEMALE SCREWLOCKS	GROUNDING STRAPS	7	745781-7
	FEMALE SCREWLOCKS	GROUNDING STRAPS	6	745781-6
SUPSD BY 745781-6	FEMALE SCREWLOCKS	GROUNDING STRAPS	5	745781-5
	THREADED INSERTS	GROUNDING STRAPS	6	745781-4
OBSOLETE	THREADED INSERTS	GROUNDING STRAPS	5	745781-3
OBSOLETE	NONE	GROUNDING STRAPS	6	745781-2
SUPSD BY 745781-2	NONE	GROUNDING STRAPS	5	745781-1

MOUNTING HARDWARE	SHELL VERSION	CONTACT FINISH	PART NUMBER
-------------------	---------------	----------------	-------------

THIS DRAWING IS A CONTROLLED DOCUMENT.

DIMENSIONS: INCHES	TOLERANCES UNLESS OTHERWISE SPECIFIED:	DIN J. GALLUCCI BG 1-23-91	APVD R. STONE 4-26-91	NAME RCPT ASSY, SIZE 1, 9 POSN, RTANG, AMPLIMITE™
0 PLC ± -	1 PLC ± -	2 PLC ± -	3 PLC ± .005	4 PLC ± - ± .2
ANGLES ± - ± .2		PRODUCT SPEC 108-40025	APPLICATION SPEC 114-40010	SIZE A1
MATERIAL	FINISH	WEIGHT	00779	SCALE 4:1
			745781	SHEET 1 OF 1
				REV AC1

CUSTOMER DRAWING

## X-ON Electronics

Largest Supplier of Electrical and Electronic Components

*Click to view similar products for [D-Sub Standard Connectors](#) category:*

*Click to view products by [TE Connectivity](#) manufacturer:*

Other Similar products are found below :

[DCM37S732N](#) [DAM15P500](#) [DEV09S364GTLF](#) [DEM09P032N](#) [DDM50P732N](#) [DAM15S332N](#) [173109-2218](#) [173109-2466](#) [173109-2469](#)  
[173109-2435](#) [56F706-005-LI](#) [56F711-015](#) [015-0341-000](#) [017041-0005](#) [012-9507-114](#) [012-9534-001](#) [609-25P](#) [M24308/2-23Z](#) [M243082310F](#)  
[M24308/2-36Z](#) [M243082411F](#) [M24308315F](#) [M24308/4-21](#) [M243084437F](#) [CT0M22-23SS](#) [CT1N36-5SC](#) [CT2-16S-17PS](#) [CT2-20-15PCAU](#)  
[CT2-24-12PS](#) [CT2-24-28PSF127A206](#) [CT6F9767-14-4-14S-5PC](#) [CT7-18-10SC](#) [CT7-18-10SCAU](#) [CT7-18-12SCAU](#) [CT7-18-1PC](#) [CT7-18-](#)  
[1PCAU](#) [CT7-18-1SC](#) [CT7-18-21SCAU](#) [CT9-16-12PS](#) [M83513/01-FC](#) [M83723/76W24619 L/C](#) [M85049/48-3-2F](#) [69001-865](#)  
[6STD09PCM99B70X](#) [6STD09SCM99B30X](#) [6STD09SCT99S40X](#) [6STD15PCT99S40X](#) [6STD15SCM99B30X](#) [6STD15SCT99S40X](#)  
[6STF09PCM05B70X](#)