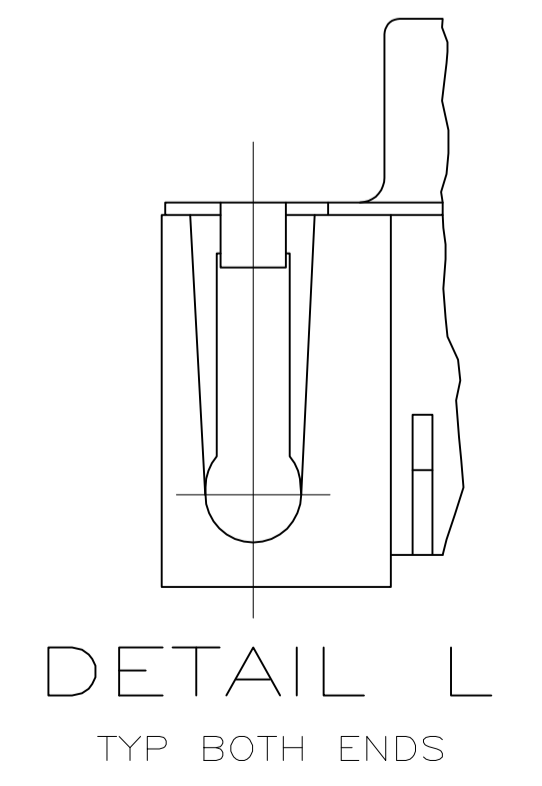
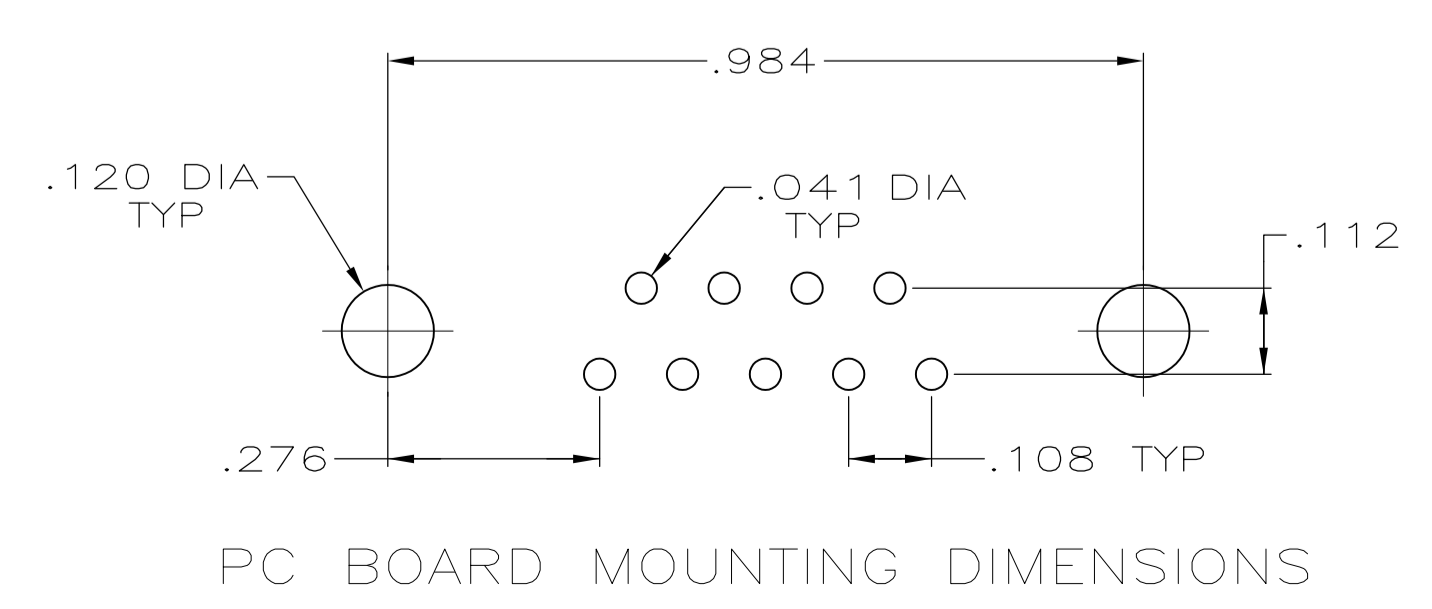
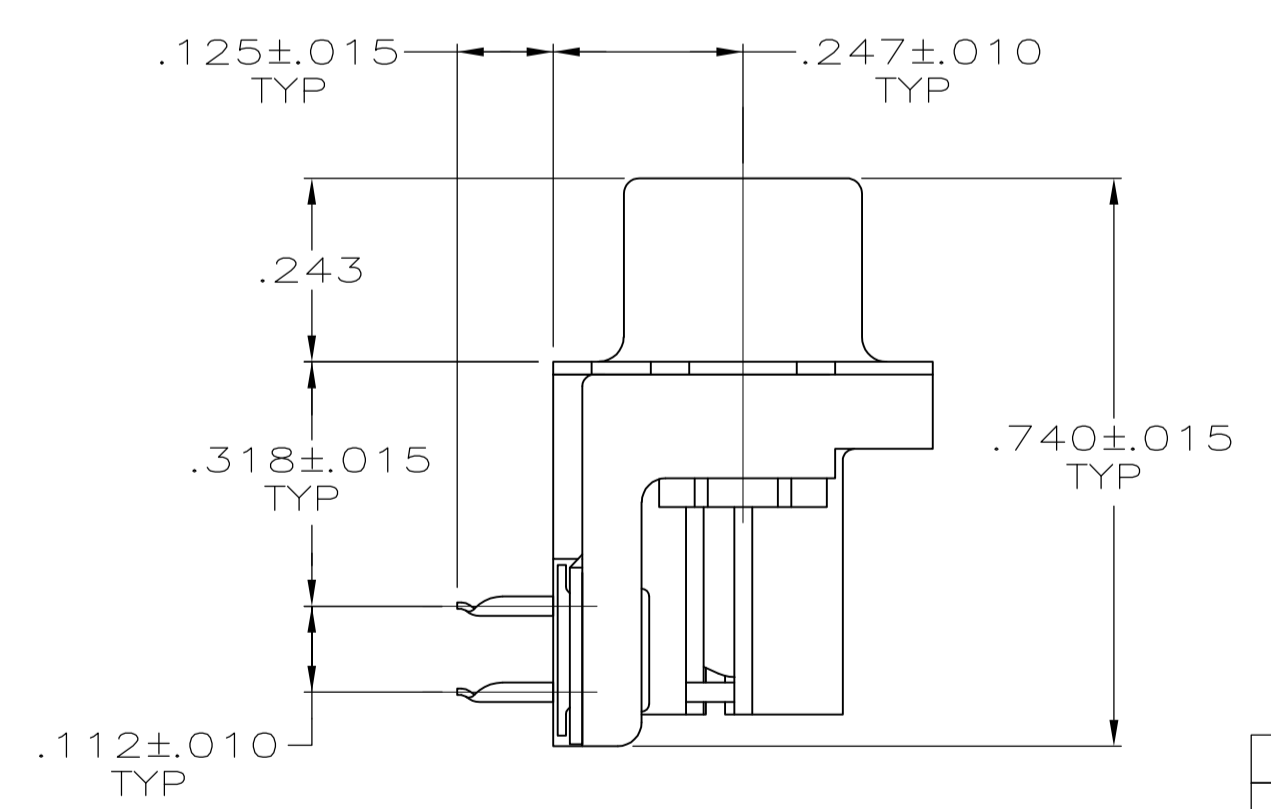
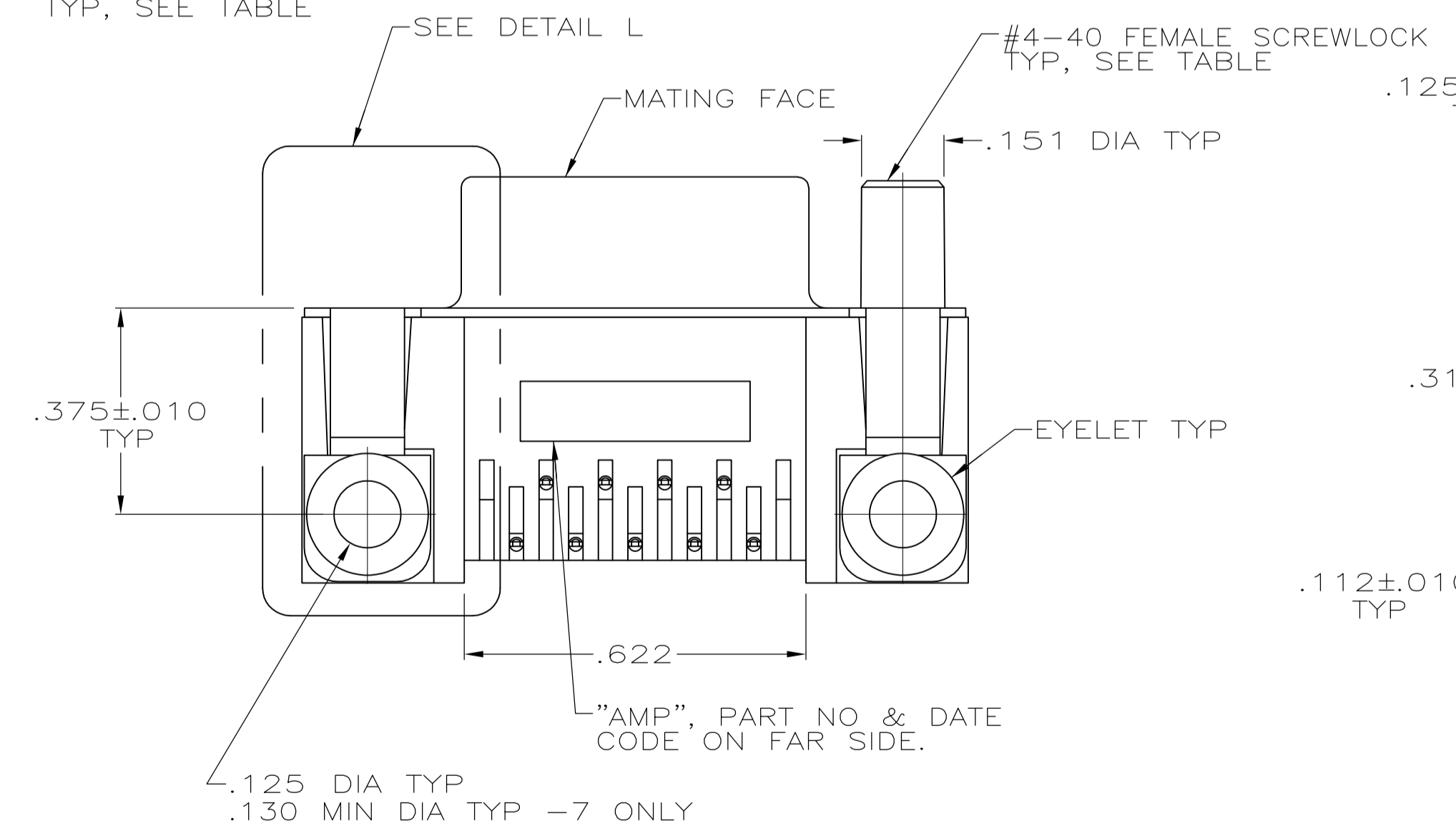
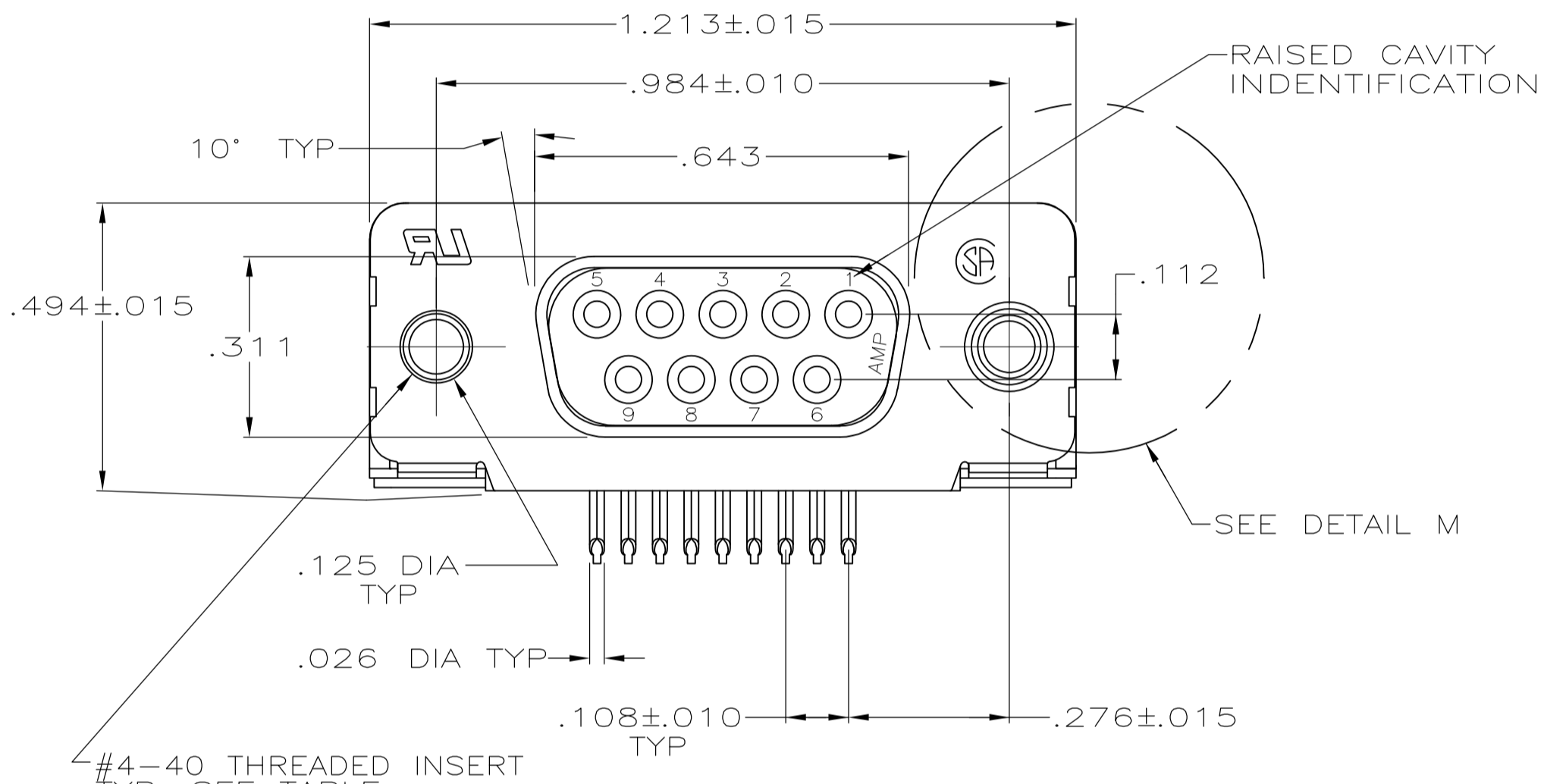


- CONNECTOR MATES WITH ANY 9 POSN PLUG IN AMPLIMITE™ SERIES & COMPLIES WITH AMP SPEC 108-40005 WHERE APPLICABLE.
- MOLDED PARTS: FLAME RETARDANT 94V-0 RATED THERMOPLASTIC, BLACK.
SHELL: STEEL PER ASTM A109
CONTACTS: PHOSPHOR BRONZE PER QQ-B-750
EYELETS: BRASS
SCREWLOCKS: ZINC
INSERTS: ZINC
- SHELL: TIN PLATED
CONTACTS: SEE TABLE
EYELETS: TIN PLATED
SCREWLOCKS: CLEAR CHROMATE
INSERTS: CLEAR CHROMATE
- GOLD PLATING PER MIL-G-45204, NICKEL PLATING PER QQ-N-290, TIN PER MIL-T-10727.
- GOLD FLASH FOR A DISTANCE OF .100 MIN FROM MATING END, TIN PLATED .000100-.000200 ON OPPOSITE END, ALL OVER .000050 NICKEL.
- .000030 GOLD FOR A DISTANCE OF .100 MIN FROM MATING END, TIN PLATED .000100-.000200 ON OPPOSITE END, ALL OVER .000050 NICKEL.
- .000015 MIN GOLD FOR A DISTANCE OF .100 MIN FROM MATING END, TIN PLATED .000100-.000200 ON OPPOSITE END, ALL OVER .000030 NICKEL.
- SCREWLOCKS REQUIRED FOR 1--5 CONNECTOR ASSEMBLIES WILL BE BULK PACKED & SHIPPED WITH CONNECTORS.
- SCREWLOCKS & LOCK WASHERS FOR 1--6 CONNECTOR ASSEMBLIES WILL BE BULK PACKED & SHIPPED WITH CONNECTORS.



OBSOLETE	THREADED INSERTS, SCREWLOCKS & LK WASH	GROUNDING STRAPS	6	1-745781-6
OBSOLETE	FEMALE SCREWLOCKS & THREADED INSERTS	GROUNDING STRAPS	5	1-745781-5
OBSOLETE	NONE	GROUNDING STRAPS	7	1-745781-4
OBSOLETE	FEMALE SCREWLOCKS	CLINCH TABS (SEE DETAIL L)	6	1-745781-3
OBSOLETE	FEMALE SCREWLOCKS	CLINCH TABS (SEE DETAIL L)	5	1-745781-2
SUPSD BY 745781-4	THREADED INSERTS	CLINCH TABS (SEE DETAIL L)	6	1-745781-1
SUPSD BY 745781-4	THREADED INSERTS	CLINCH TABS (SEE DETAIL L)	5	1-745781-0
OBSOLETE	NONE	CLINCH TABS (SEE DETAIL L)	6	745781-9
OBSOLETE	NONE	CLINCH TABS (SEE DETAIL L)	5	745781-8
OBSOLETE	FEMALE SCREWLOCKS	GROUNDING STRAPS	7	745781-7
	FEMALE SCREWLOCKS	GROUNDING STRAPS	6	745781-6
SUPSD BY 745781-6	FEMALE SCREWLOCKS	GROUNDING STRAPS	5	745781-5
	THREADED INSERTS	GROUNDING STRAPS	6	745781-4
OBSOLETE	THREADED INSERTS	GROUNDING STRAPS	5	745781-3
OBSOLETE	NONE	GROUNDING STRAPS	6	745781-2
SUPSD BY 745781-2	NONE	GROUNDING STRAPS	5	745781-1

MOUNTING HARDWARE		SHELL VERSION		CONTACT FINISH 4	PART NUMBER
THIS DRAWING IS A CONTROLLED DOCUMENT.		DIN J GALLUCCI BG 1-23-91		STE TE Connectivity	
DIMENSIONS: INCHES		TOLERANCES UNLESS OTHERWISE SPECIFIED:		RCPT ASSY, SIZE 1, 9 POSN, RTANG, AMPLIMITE™	
0 PLC ± -		1 PLC ± -		RCPT ASSY, SIZE 1, 9 POSN, RTANG, AMPLIMITE™	
1 PLC ± -		2 PLC ± -		RCPT ASSY, SIZE 1, 9 POSN, RTANG, AMPLIMITE™	
2 PLC ± -		3 PLC ± .005		RCPT ASSY, SIZE 1, 9 POSN, RTANG, AMPLIMITE™	
3 PLC ± -		4 PLC ± -		RCPT ASSY, SIZE 1, 9 POSN, RTANG, AMPLIMITE™	
4 PLC ± -		ANGLES ± ± °		RCPT ASSY, SIZE 1, 9 POSN, RTANG, AMPLIMITE™	
MATERIAL 2		FINISH 3		RCPT ASSY, SIZE 1, 9 POSN, RTANG, AMPLIMITE™	
APVD R STONE 4-26-91		NAME J.W. YOUNG 4-26-91		RCPT ASSY, SIZE 1, 9 POSN, RTANG, AMPLIMITE™	
PRODUCT SPEC 108-40025		APPLICATION SPEC 114-40010		RCPT ASSY, SIZE 1, 9 POSN, RTANG, AMPLIMITE™	
SIZE A1		CAGE CODE 00779		RCPT ASSY, SIZE 1, 9 POSN, RTANG, AMPLIMITE™	
DRAWING NO. 745781		RESTRICTED TO		RCPT ASSY, SIZE 1, 9 POSN, RTANG, AMPLIMITE™	
CUSTOMER DRAWING		SCALE 4:1		RCPT ASSY, SIZE 1, 9 POSN, RTANG, AMPLIMITE™	
SHEET 1 OF 1		REV AC1		RCPT ASSY, SIZE 1, 9 POSN, RTANG, AMPLIMITE™	

X-ON Electronics

Largest Supplier of Electrical and Electronic Components

Click to view similar products for [D-Sub Standard Connectors](#) category:

Click to view products by [TE Connectivity](#) manufacturer:

Other Similar products are found below :

[DCM37S732N](#) [DAM15P500](#) [DEV09S364GTLF](#) [DEM09P032N](#) [DDM50P732N](#) [DAM15S332N](#) [173109-2218](#) [173109-2466](#) [173109-2469](#)
[173109-2435](#) [56F706-005-LI](#) [56F711-015](#) [015-0341-000](#) [017041-0005](#) [012-9507-114](#) [012-9534-001](#) [609-25P](#) [M24308/2-23Z](#) [M243082310F](#)
[M24308/2-36Z](#) [M243082411F](#) [M24308315F](#) [M24308/4-21](#) [M243084437F](#) [CT0M22-23SS](#) [CT1N36-5SC](#) [CT2-16S-17PS](#) [CT2-20-15PCAU](#)
[CT2-24-12PS](#) [CT2-24-28PSF127A206](#) [CT6F9767-14-4-14S-5PC](#) [CT7-18-10SC](#) [CT7-18-10SCAU](#) [CT7-18-12SCAU](#) [CT7-18-1PC](#) [CT7-18-](#)
[1PCAU](#) [CT7-18-1SC](#) [CT7-18-21SCAU](#) [CT9-16-12PS](#) [M83513/01-FC](#) [M83723/76W24619 L/C](#) [M85049/48-3-2F](#) [69001-865](#)
[6STD09PCM99B70X](#) [6STD09SCM99B30X](#) [6STD09SCT99S40X](#) [6STD15PCT99S40X](#) [6STD15SCM99B30X](#) [6STD15SCT99S40X](#)
[6STF09PCM05B70X](#)