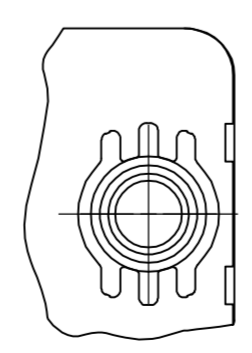
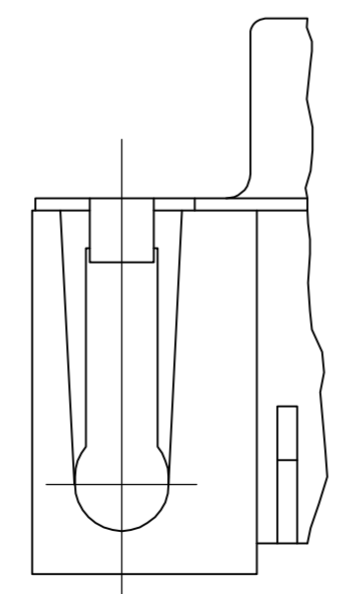
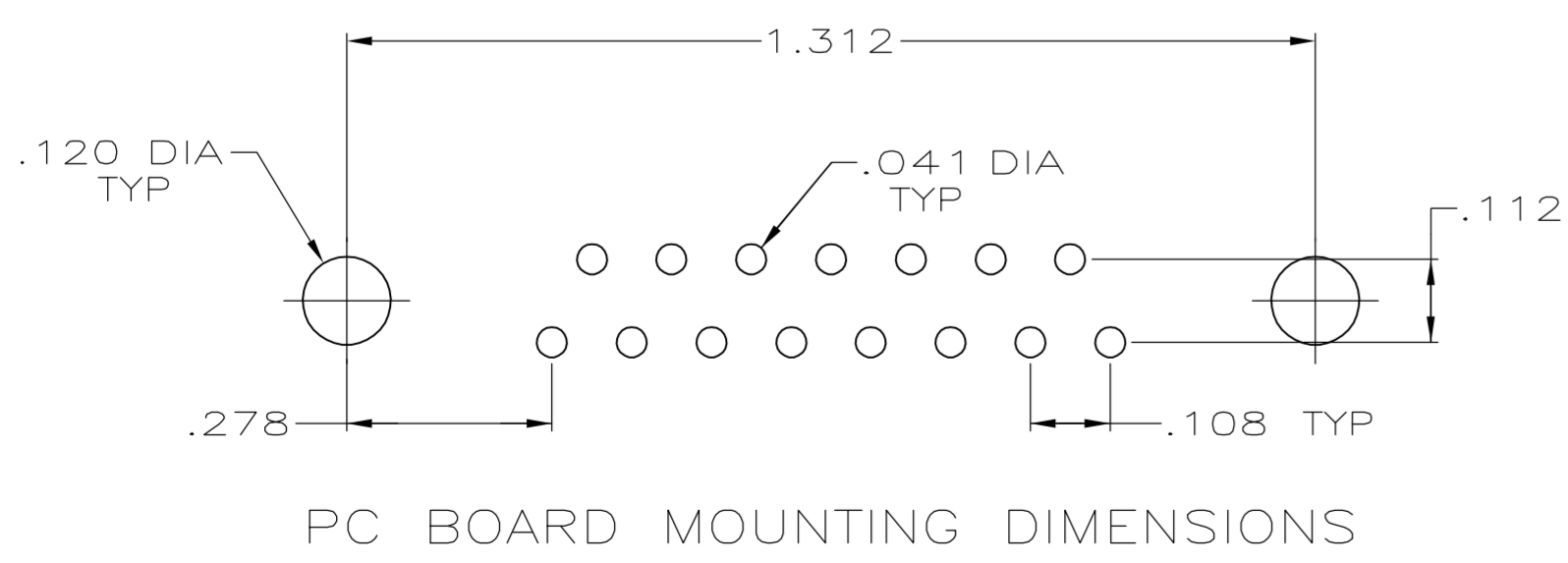
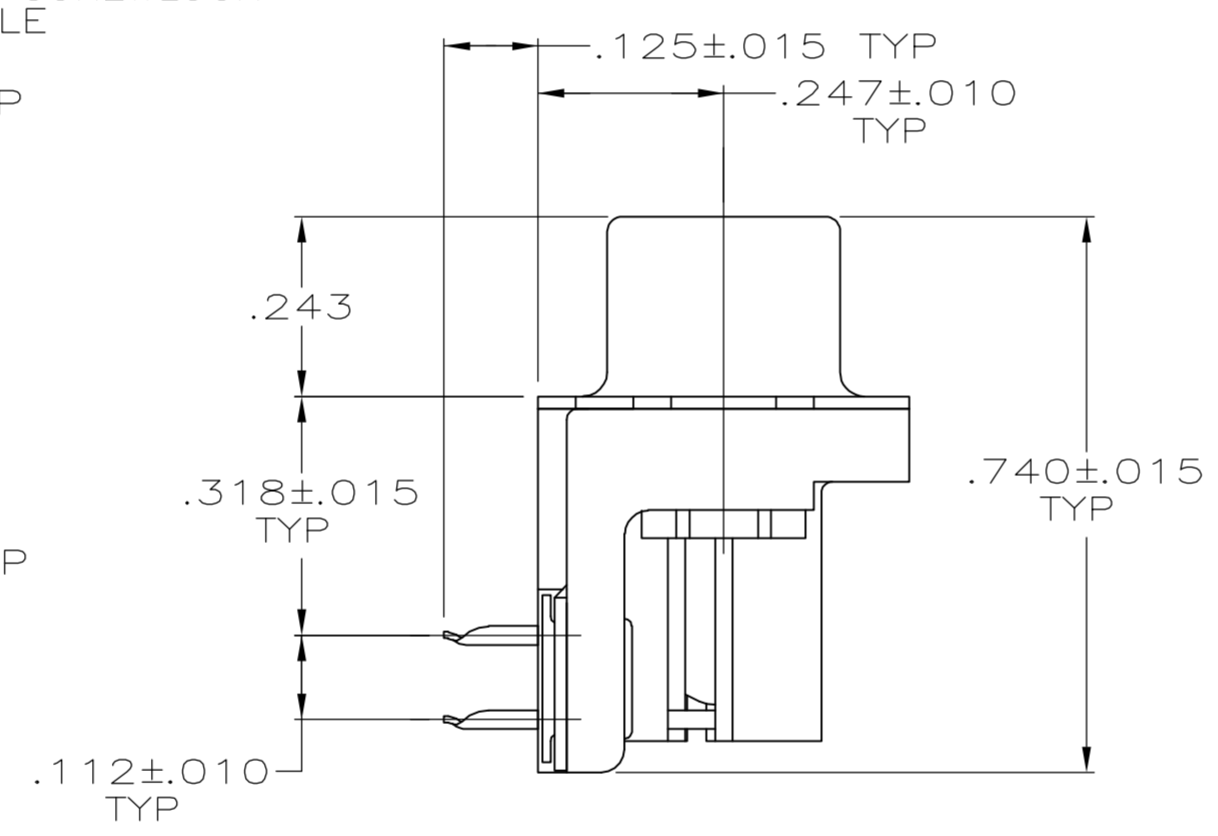
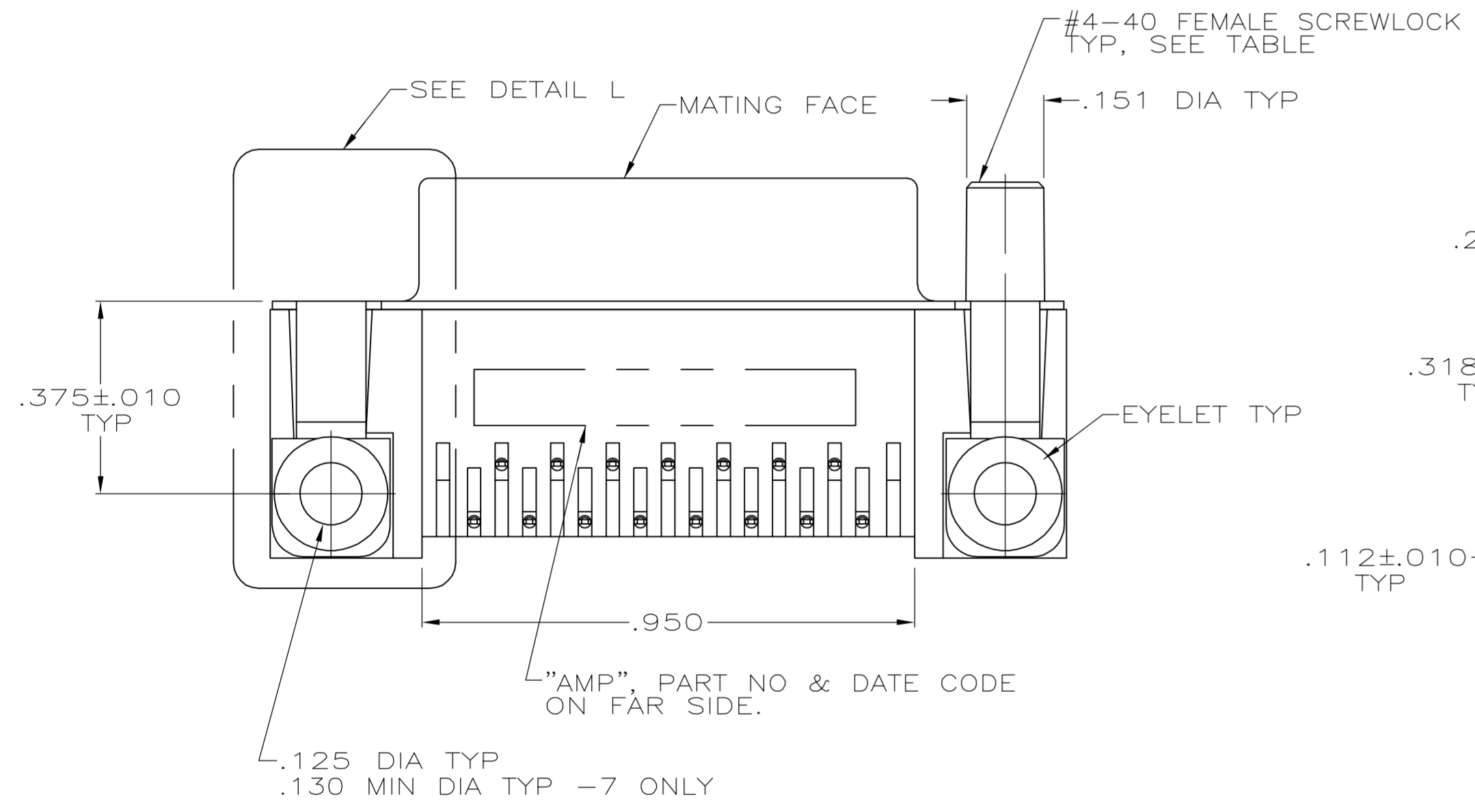


- CONNECTOR MATES WITH ANY 15 POSN PLUG IN AMPLIMITE™ SERIES & COMPLIES WITH AMP SPEC 108-40005 WHERE APPLICABLE.
- MOLDED PARTS: FLAME RETARDANT 94V-0 RATED THERMOPLASTIC, BLACK.
SHELL: STEEL PER ASTM A109
CONTACTS: PHOSPHOR BRONZE PER QQ-B-750
EYELETS: BRASS
SCREWLOCKS: ZINC
INSERTS: ZINC
- SHELL: TIN PLATED
CONTACTS: SEE TABLE
EYELETS: TIN PLATED
SCREWLOCKS: CLEAR CHROMATE
INSERTS: CLEAR CHROMATE
- GOLD PLATING PER MIL-G-45204, NICKEL PLATING PER QQ-N-290, TIN PER MIL-T-10727.
- GOLD FLASH FOR A DISTANCE OF .100 MIN FROM MATING END, TIN PLATED .000100-.000200 ON OPPOSITE END, ALL OVER .000050 NICKEL.
- .000030 GOLD FOR A DISTANCE OF .100 MIN FROM MATING END, TIN PLATED .000100-.000200 ON OPPOSITE END, ALL OVER .000050 NICKEL.
- .000015 MIN GOLD FOR A DISTANCE OF .100 MIN FROM MATING END, TIN PLATED .000100-.000200 ON OPPOSITE END, ALL OVER .000030 NICKEL.
- SCREWLOCKS REQUIRED FOR 1--5 CONNECTOR ASSEMBLIES WILL BE BULK PACKED & SHIPPED WITH CONNECTORS.



SUPSD BY 745782-2	TUBE	NONE	GROUNDING STRAPS	5	1-745782-6
OBSOLETE	-	THREADED INSERTS	GROUNDING STRAPS	6	1-745782-5
OBSOLETE	-	FEMALE SCREWLOCKS	CLINCH TABS (SEE DETAIL L)	6	1-745782-4
OBSOLETE	-	FEMALE SCREWLOCKS	CLINCH TABS (SEE DETAIL L)	5	1-745782-3
OBSOLETE	-	THREADED INSERTS	CLINCH TABS (SEE DETAIL L)	6	1-745782-2
SUPSD BY 1-745782-2	-	THREADED INSERTS	CLINCH TABS (SEE DETAIL L)	5	1-745782-1
OBSOLETE	-	.125 DIA HOLE	CLINCH TABS (SEE DETAIL L)	6	1-745782-0
OBSOLETE	-	.125 DIA HOLE	CLINCH TABS (SEE DETAIL L)	5	745782-9
OBSOLETE	-	NONE	GROUNDING STRAPS	7	745782-8
OBSOLETE	-	FEMALE SCREWLOCKS	GROUNDING STRAPS	7	745782-7
OBSOLETE	-	FEMALE SCREWLOCKS	GROUNDING STRAPS	6	745782-6
SUPSD BY 745782-6	-	FEMALE SCREWLOCKS	GROUNDING STRAPS	5	745782-5
	-	THREADED INSERTS	GROUNDING STRAPS	6	745782-4
SUPSD BY 745782-4	-	THREADED INSERTS	GROUNDING STRAPS	5	745782-3
OBSOLETE	-	NONE	GROUNDING STRAPS	6	745782-2
SUPSD BY 745782-2	TRAYS	NONE	GROUNDING STRAPS	5	745782-1
	PACKAGING	MOUNTING HARDWARE	SHELL VERSION	CONTACT FINISH	PART NUMBER

THIS DRAWING IS A CONTROLLED DOCUMENT.

DIMENSIONS: INCHES	TOLERANCES UNLESS OTHERWISE SPECIFIED:	0 PLC ± .005	1 PLC ± .005	2 PLC ± .005	3 PLC ± .005	4 PLC ± .005	ANGLES ± .005	FINISH					
MATERIAL		APVD		NAME		SIZE		CAGE CODE		DRAWING NO		RESTRICTED TO	
DWN: J. GALLUCCI 1-23-91		CHK: R. STONE 4-26-91		Tyco Electronics Corporation		Harrisburg, PA 17105-3608		RCPT ASSY, SIZE 2, 15 POSN, RTANG, AMPLIMITE HD-20, WITH METAL SHELL, WITH OR WITHOUT SCREWLOCKS OR INSERTS		114-40010		A1 00779	
CUSTOMER DRAWING		SCALE: 4:1		SHEET 1 OF 1		REV AB							

X-ON Electronics

Largest Supplier of Electrical and Electronic Components

Click to view similar products for [D-Sub Standard Connectors](#) category:

Click to view products by [TE Connectivity](#) manufacturer:

Other Similar products are found below :

[DCM37S732N](#) [DAM15P500](#) [DEV09S364GTLF](#) [DEM09P032N](#) [DDM50P732N](#) [DAM15S332N](#) [173109-2218](#) [173109-2466](#) [173109-2469](#)
[173109-2435](#) [56F706-005-LI](#) [56F711-015](#) [015-0341-000](#) [017041-0005](#) [012-9507-114](#) [012-9534-001](#) [609-25P](#) [M24308/2-23Z](#) [M243082310F](#)
[M24308/2-36Z](#) [M243082411F](#) [M24308315F](#) [M24308/4-21](#) [M243084437F](#) [CT0M22-23SS](#) [CT1N36-5SC](#) [CT2-16S-17PS](#) [CT2-20-15PCAU](#)
[CT2-24-12PS](#) [CT2-24-28PSF127A206](#) [CT6F9767-14-4-14S-5PC](#) [CT7-18-10SC](#) [CT7-18-10SCAU](#) [CT7-18-12SCAU](#) [CT7-18-1PC](#) [CT7-18-](#)
[1PCAU](#) [CT7-18-1SC](#) [CT7-18-21SCAU](#) [CT9-16-12PS](#) [M83513/01-FC](#) [M83723/76W24619 L/C](#) [M85049/48-3-2F](#) [69001-865](#)
[6STD09PCM99B70X](#) [6STD09SCM99B30X](#) [6STD09SCT99S40X](#) [6STD15PCT99S40X](#) [6STD15SCM99B30X](#) [6STD15SCT99S40X](#)
[6STF09PCM05B70X](#)