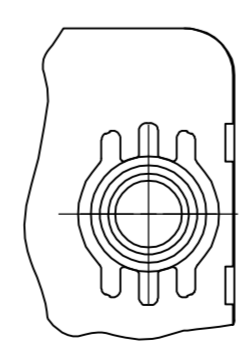
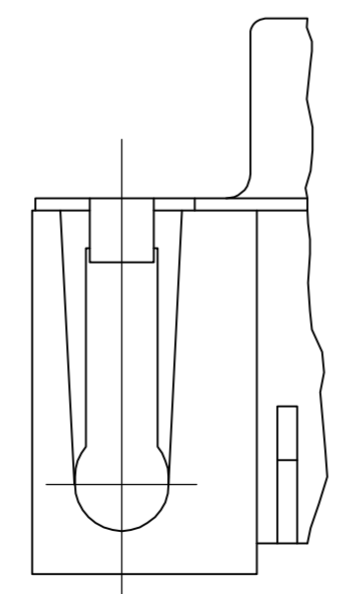
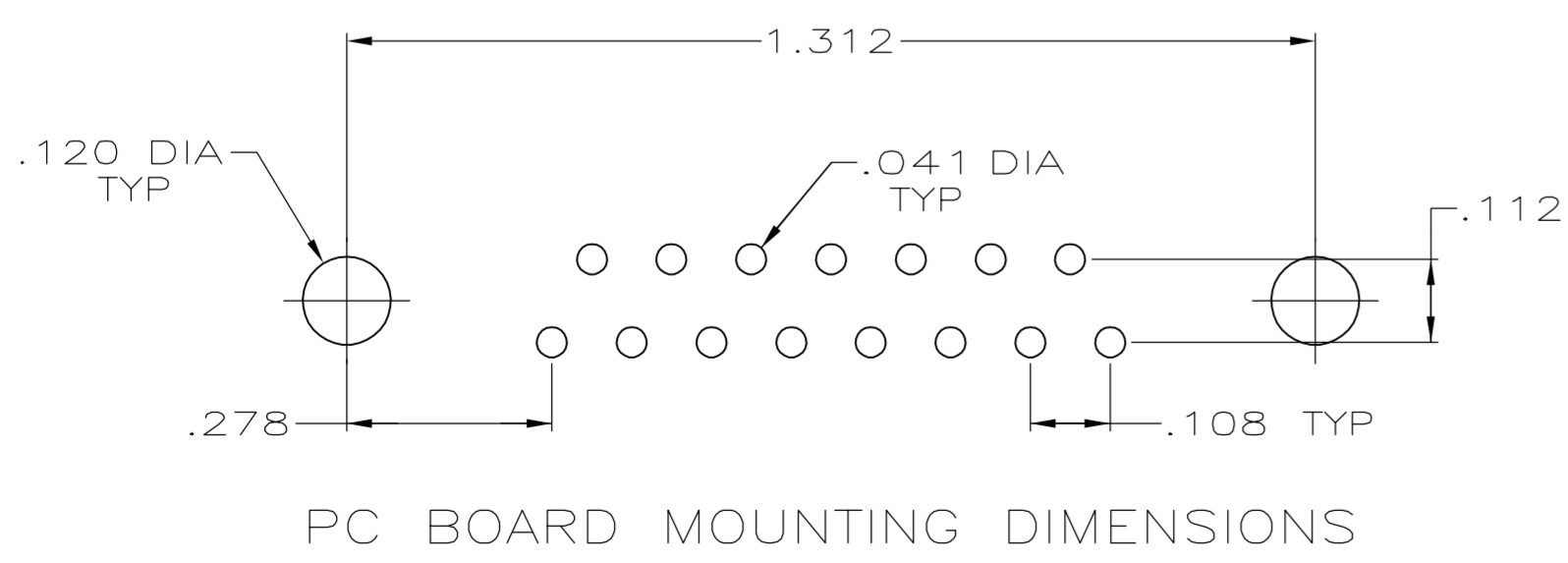
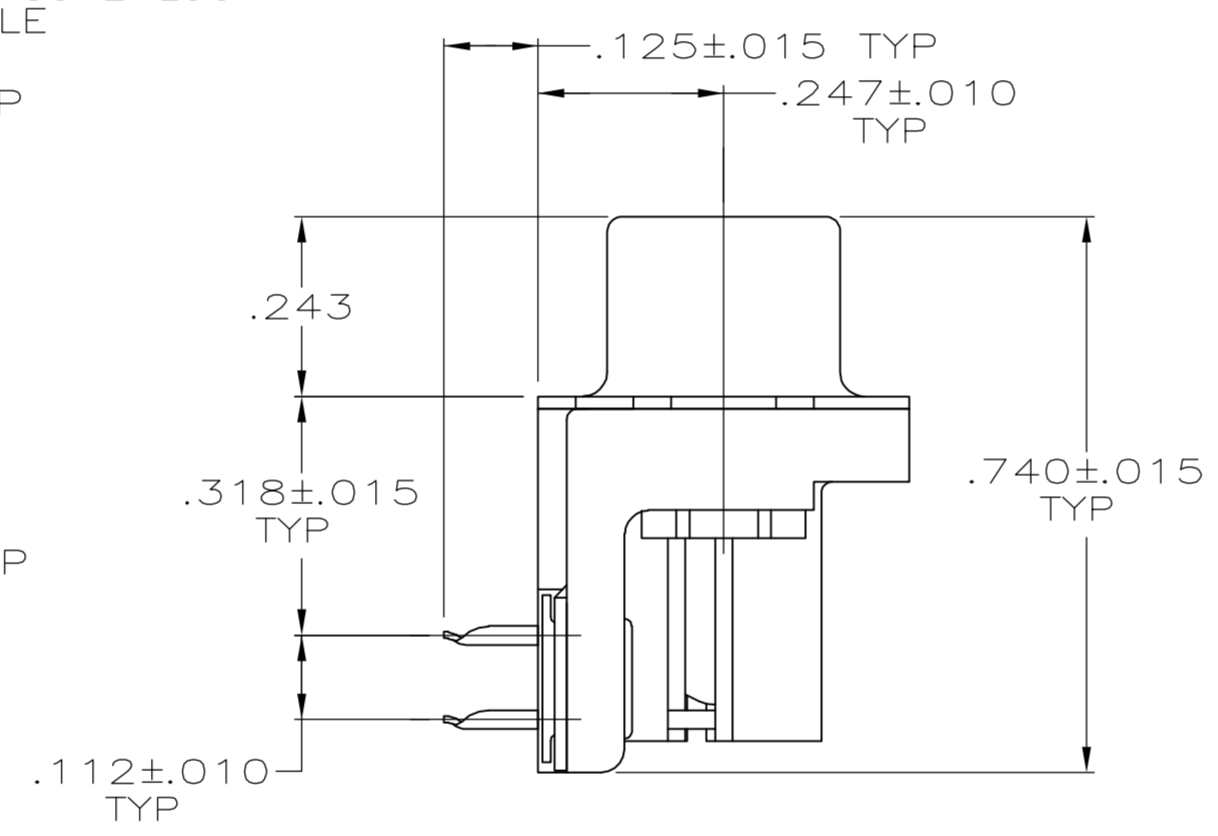
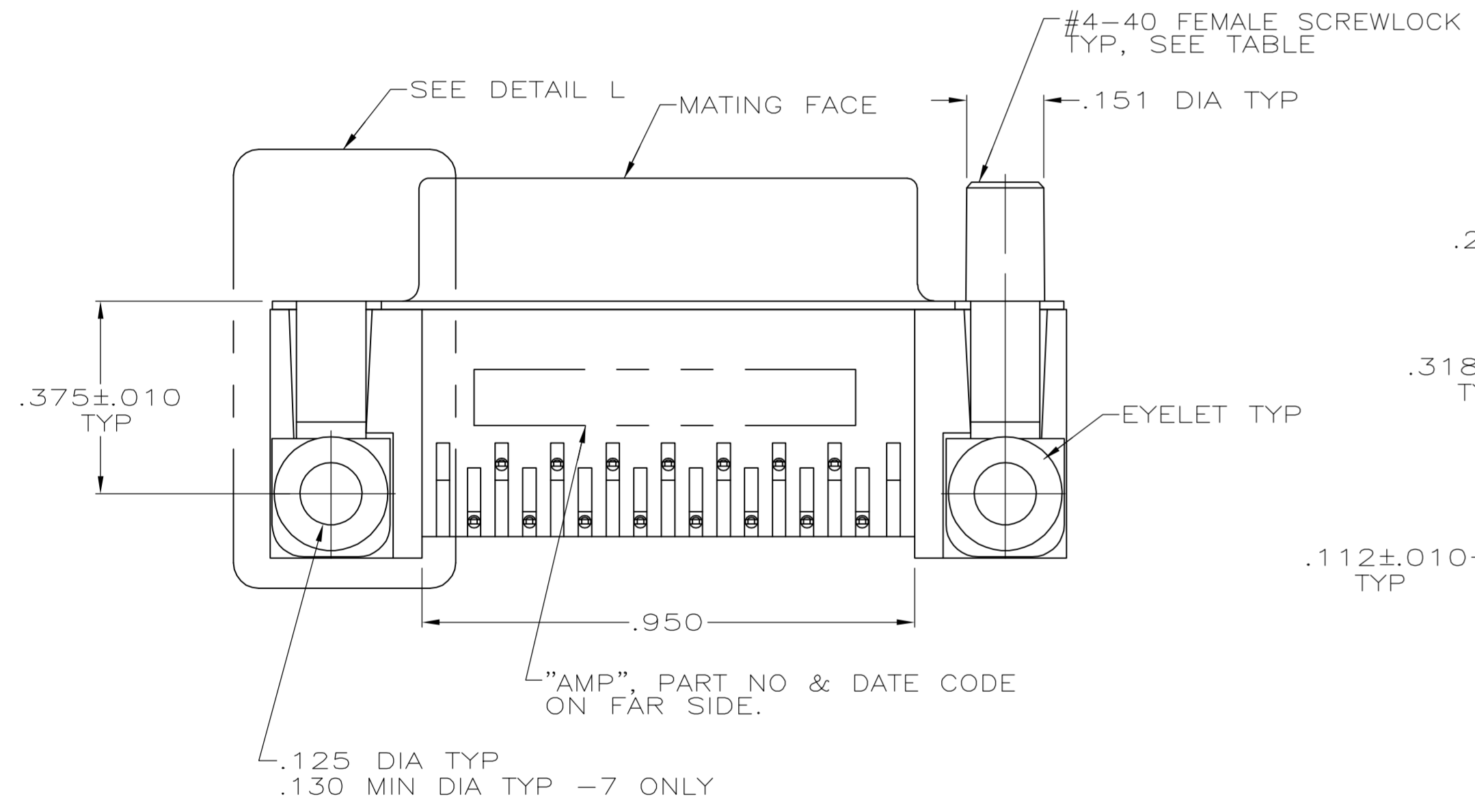


- CONNECTOR MATES WITH ANY 15 POSN PLUG IN AMPLIMITE™ SERIES & COMPLIES WITH AMP SPEC 108-40005 WHERE APPLICABLE.
- MOLDED PARTS: FLAME RETARDANT 94V-0 RATED THERMOPLASTIC, BLACK.
SHELL: STEEL PER ASTM A109
CONTACTS: PHOSPHOR BRONZE PER QQ-B-750
EYELETS: BRASS
SCREWLOCKS: ZINC
INSERTS: ZINC
- SHELL: TIN PLATED
CONTACTS: SEE TABLE
EYELETS: TIN PLATED
SCREWLOCKS: CLEAR CHROMATE
INSERTS: CLEAR CHROMATE
- GOLD PLATING PER MIL-G-45204, NICKEL PLATING PER QQ-N-290, TIN PER MIL-T-10727.
- GOLD FLASH FOR A DISTANCE OF .100 MIN FROM MATING END, TIN PLATED .000100-.000200 ON OPPOSITE END, ALL OVER .000050 NICKEL.
- .000030 GOLD FOR A DISTANCE OF .100 MIN FROM MATING END, TIN PLATED .000100-.000200 ON OPPOSITE END, ALL OVER .000050 NICKEL.
- .000015 MIN GOLD FOR A DISTANCE OF .100 MIN FROM MATING END, TIN PLATED .000100-.000200 ON OPPOSITE END, ALL OVER .000030 NICKEL.
- SCREWLOCKS REQUIRED FOR 1--5 CONNECTOR ASSEMBLIES WILL BE BULK PACKED & SHIPPED WITH CONNECTORS.



SUPSD BY 745782-2	TUBE	NONE	GROUNDING STRAPS	5	1-745782-6
OBSOLETE	-	THREADED INSERTS	GROUNDING STRAPS	6	1-745782-5
OBSOLETE	-	FEMALE SCREWLOCKS	CLINCH TABS (SEE DETAIL L)	6	1-745782-4
OBSOLETE	-	FEMALE SCREWLOCKS	CLINCH TABS (SEE DETAIL L)	5	1-745782-3
OBSOLETE	-	THREADED INSERTS	CLINCH TABS (SEE DETAIL L)	6	1-745782-2
SUPSD BY 1-745782-2	-	THREADED INSERTS	CLINCH TABS (SEE DETAIL L)	5	1-745782-1
OBSOLETE	-	.125 DIA HOLE	CLINCH TABS (SEE DETAIL L)	6	1-745782-0
OBSOLETE	-	.125 DIA HOLE	CLINCH TABS (SEE DETAIL L)	5	745782-9
OBSOLETE	-	NONE	GROUNDING STRAPS	7	745782-8
OBSOLETE	-	FEMALE SCREWLOCKS	GROUNDING STRAPS	7	745782-7
OBSOLETE	-	FEMALE SCREWLOCKS	GROUNDING STRAPS	6	745782-6
SUPSD BY 745782-6	-	FEMALE SCREWLOCKS	GROUNDING STRAPS	5	745782-5
	-	THREADED INSERTS	GROUNDING STRAPS	6	745782-4
SUPSD BY 745782-4	-	THREADED INSERTS	GROUNDING STRAPS	5	745782-3
OBSOLETE	-	NONE	GROUNDING STRAPS	6	745782-2
SUPSD BY 745782-2	TRAYS	NONE	GROUNDING STRAPS	5	745782-1
	PACKAGING	MOUNTING HARDWARE	SHELL VERSION	CONTACT FINISH	PART NUMBER

THIS DRAWING IS A CONTROLLED DOCUMENT.

DIMENSIONS: INCHES	TOLERANCES UNLESS OTHERWISE SPECIFIED:	0 PLC ± -	1 PLC ± -	2 PLC ± -	3 PLC ± .005	4 PLC ± -	ANGLES ± -	FINISH
								3

APVD: R. STONE

DATE: 4-26-91

NAME: R. STONE

PRODUCT SPEC: 108-40025

APPLICATION SPEC: 114-40010

WEIGHT: -

SCALE: 4:1

SHEET: 1 OF 1

REV: AB

TYCO Electronics Corporation
Harrisburg, PA 17105-3608

RCPT ASSY, SIZE 2, 15 POSN, RTANG, AMPLIMITE HD-20, WITH METAL SHELL, WITH OR WITHOUT SCREWLOCKS OR INSERTS

SIZE: A1

CAGE CODE: 00779

DRAWING NO: 745782

CUSTOMER DRAWING

X-ON Electronics

Largest Supplier of Electrical and Electronic Components

Click to view similar products for D-Sub Standard Connectors category:

Click to view products by TE Connectivity manufacturer:

Other Similar products are found below :

[56F711-015](#) [012-9507-004](#) [LV242999-142T12](#) [015-0341-000](#) [015-0349-000](#) [015-0372-005](#) [015-0372-008](#) [015-8755-001](#) [020419-0104](#) [012-0467-000](#) [012-0515-000](#) [012-9507-034](#) [012-9507-114](#) [020745-0008](#) [609-25P](#) [M24308/2-23Z](#) [CT2-14S-2PCA34](#) [CT2-18-11PCAU](#) [CT2-36-15SC](#) [CT6-14S-2SC](#) [CT6E14SA7SC](#) [CT6E22-14PC](#) [CT6E22-14PS](#) [CT6E22-22PS](#) [M83513/01-FC](#) [M85049/48-3-2F](#) [6STD09PCM99B70X](#) [6STD09SCM99B30X](#) [6STD09SCT99S40X](#) [6STD15PCT99S40X](#) [6STD15SCM99B30X](#) [6STD15SCT99S40X](#) [6STF09PCM05B70X](#) [7-135760-9](#) [MC11E-10-6SN](#) [747552-3](#) [MD1-21PS](#) [MDM-15SCBRM7-F222](#) [MDM96517-699](#) [MDM96521-744](#) [MDVB1-21SL1](#) [MIK0-1-7SH003](#) [MIKQ6-7SH076](#) [MIKQ7-7PH077](#) [MIKQ7-7PH11](#) [MIKQ7-7PH32](#) [MIKQ9-7PH003](#) [MJSV-28SL61](#) [MKJ4A1F14-55S](#) [8-135760-3](#)