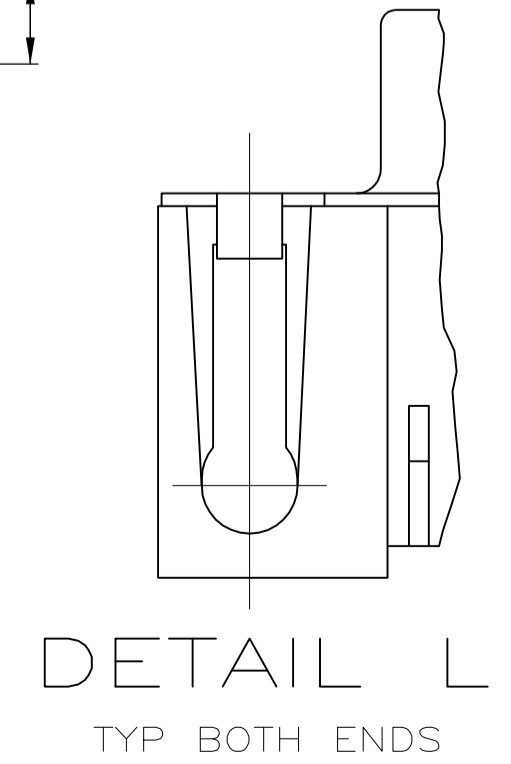
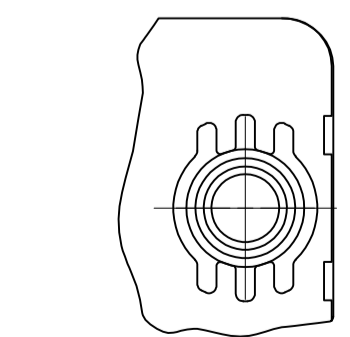


RECOMMENDED P.C. BOARD MOUNTING DIMENSIONS



DETAIL L
TYP BOTH ENDS



DETAIL M
FOR -5,-6,-7,1--2
& 1--3 ONLY

- CONNECTOR MATES WITH ANY 25 POSN PLUG IN AMPLIMITE™ SERIES & COMPLIES WITH AMP SPEC 108-40005 WHERE APPLICABLE.
- MOLDED PARTS: FLAME RETARDANT 94V-0 RATED THERMOPLASTIC, BLACK.
SHELL: STEEL PER ASTM A109
CONTACTS: PHOSPHOR BRONZE PER QQ-B-750
EYELETS: BRASS
SCREWLOCKS: ZINC
INSERTS: ZINC
- SHELL: TIN PLATED
CONTACTS: SEE TABLE
EYELETS: TIN PLATED
SCREWLOCKS: CLEAR CHROMATE
INSERTS: CLEAR CHROMATE
- GOLD PLATING PER MIL-G-45204, NICKEL PLATING PER QQ-N-290, TIN PER MIL-T-10727.
- GOLD FLASH FOR A DISTANCE OF .100 MIN FROM MATING END, TIN PLATED .000100-.000200 ON OPPOSITE END, ALL OVER .000050 NICKEL.
- .000030 GOLD FOR A DISTANCE OF .100 MIN FROM MATING END, TIN PLATED .000100-.000200 ON OPPOSITE END, ALL OVER .000050 NICKEL.
- .000015 MIN GOLD FOR A DISTANCE OF .100 MIN FROM MATING END, TIN PLATED .000100-.000200 ON OPPOSITE END, ALL OVER .000030 NICKEL.
- HEXAGONAL HEAD FEMALE SCREWLOCK (REMOVABLE), ASSEMBLED AND SUPPLIED FOR -7 ONLY; FOR USE ON A .060 PANEL REAR MOUNT APPLICATION.

OBSOLETE	NONE	GROUNDING STRAPS	7	1-745783-4
SUPSD BY 745783-6	FEMALE SCREWLOCKS	CLINCH TABS (SEE DETAIL L)	6	1-745783-3
OBSOLETE	FEMALE SCREWLOCKS	CLINCH TABS (SEE DETAIL L)	5	1-745783-2
SUPSD BY 745783-4	THREADED INSERTS	CLINCH TABS (SEE DETAIL L)	6	1-745783-1
OBSOLETE	THREADED INSERTS	CLINCH TABS (SEE DETAIL L)	5	1-745783-0
SUPSD BY 745783-2	NONE	CLINCH TABS (SEE DETAIL L)	6	745783-9
OBSOLETE	NONE	CLINCH TABS (SEE DETAIL L)	5	745783-8
OBSOLETE	FEMALE SCREWLOCKS	GROUNDING STRAPS	7	745783-7
OBSOLETE	FEMALE SCREWLOCKS	GROUNDING STRAPS	6	745783-6
OBSOLETE	FEMALE SCREWLOCKS	GROUNDING STRAPS	5	745783-5
OBSOLETE	THREADED INSERTS	GROUNDING STRAPS	6	745783-4
OBSOLETE	THREADED INSERTS	GROUNDING STRAPS	5	745783-3
OBSOLETE	NONE	GROUNDING STRAPS	6	745783-2
SUPSD BY 745783-2	NONE	GROUNDING STRAPS	5	745783-1

MOUNTING HARDWARE	SHELL VERSION	CONTACT FINISH	PART NUMBER
-------------------	---------------	----------------	-------------

THIS DRAWING IS A CONTROLLED DOCUMENT.

DIMENSIONS: INCHES	TOLERANCES UNLESS OTHERWISE SPECIFIED:	DIN J GALLUCCI BG 1-23-91	APVD
0 PLC ± -	1 PLC ± -	4-26-91	
2 PLC ± -	3 PLC ± -		
4 PLC ± -	ANGLES ± -		

STE TE Connectivity

RCPT ASSY, SIZE 3, 25 POSN, RTANG, AMPLIMITE HD-20, WITH METAL SHELL WITH OR WITHOUT SCREWLOCKS OR INSERTS

108-40025

114-40010

00779 745783

CUSTOMER DRAWING SCALE 4:1 SHEET 1 OF 1 REV AD1

X-ON Electronics

Largest Supplier of Electrical and Electronic Components

Click to view similar products for [D-Sub Standard Connectors](#) category:

Click to view products by [TE Connectivity](#) manufacturer:

Other Similar products are found below :

[DCM37S732N](#) [DAM15P500](#) [DEV09S364GTLF](#) [DEM09P032N](#) [DDM50P732N](#) [DAM15S332N](#) [173109-2218](#) [173109-2466](#) [173109-2469](#)
[173109-2435](#) [56F706-005-LI](#) [56F711-015](#) [015-0341-000](#) [017041-0005](#) [012-9507-114](#) [012-9534-001](#) [609-25P](#) [M24308/2-23Z](#) [M243082310F](#)
[M24308/2-36Z](#) [M243082411F](#) [M24308315F](#) [M24308/4-21](#) [M243084437F](#) [CT0M22-23SS](#) [CT1N36-5SC](#) [CT2-16S-17PS](#) [CT2-20-15PCAU](#)
[CT2-24-12PS](#) [CT2-24-28PSF127A206](#) [CT6F9767-14-4-14S-5PC](#) [CT7-18-10SC](#) [CT7-18-10SCAU](#) [CT7-18-12SCAU](#) [CT7-18-1PC](#) [CT7-18-](#)
[1PCAU](#) [CT7-18-1SC](#) [CT7-18-21SCAU](#) [CT9-16-12PS](#) [M83513/01-FC](#) [M83723/76W24619 L/C](#) [M85049/48-3-2F](#) [69001-865](#)
[6STD09PCM99B70X](#) [6STD09SCM99B30X](#) [6STD09SCT99S40X](#) [6STD15PCT99S40X](#) [6STD15SCM99B30X](#) [6STD15SCT99S40X](#)
[6STF09PCM05B70X](#)