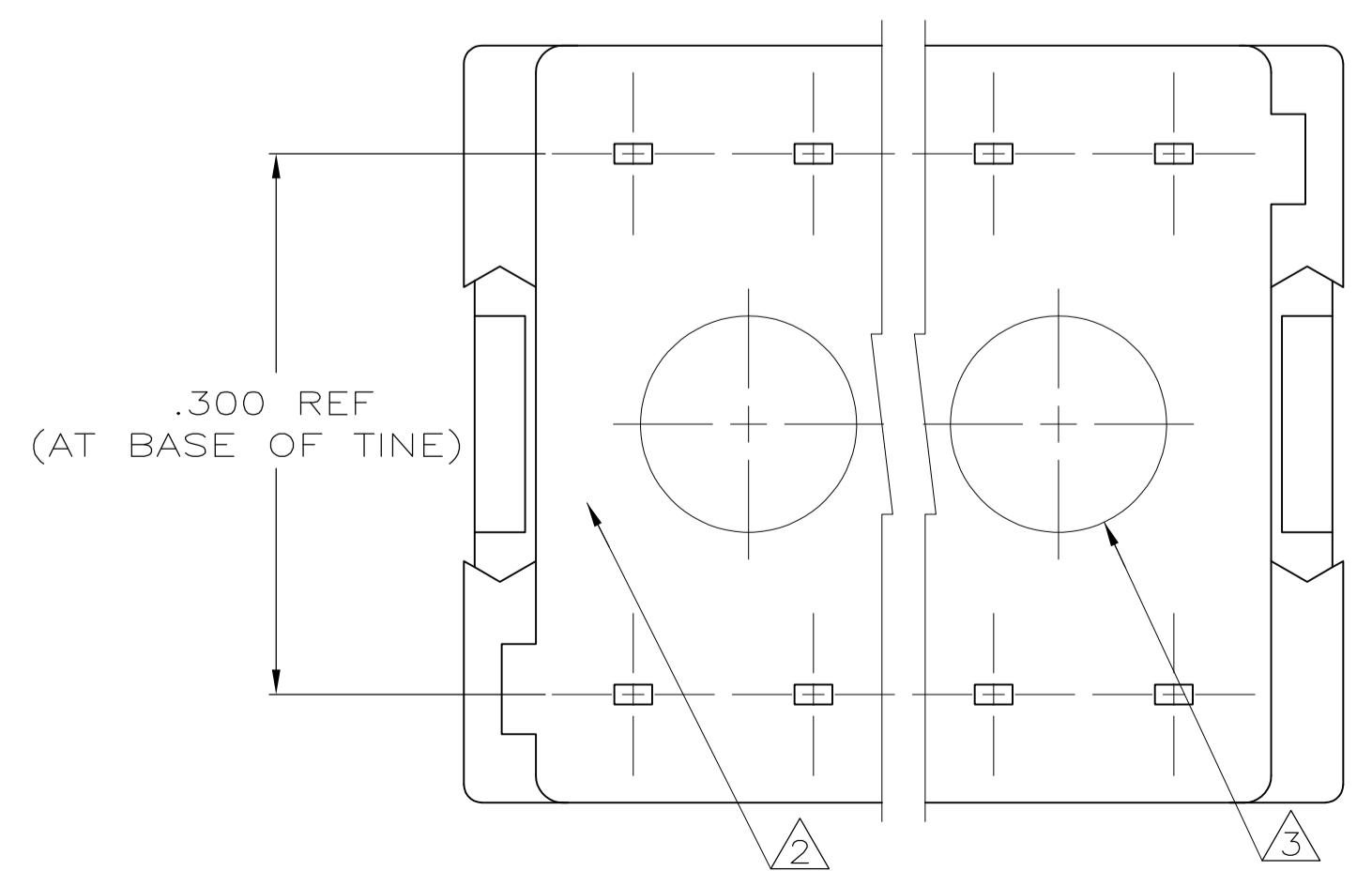
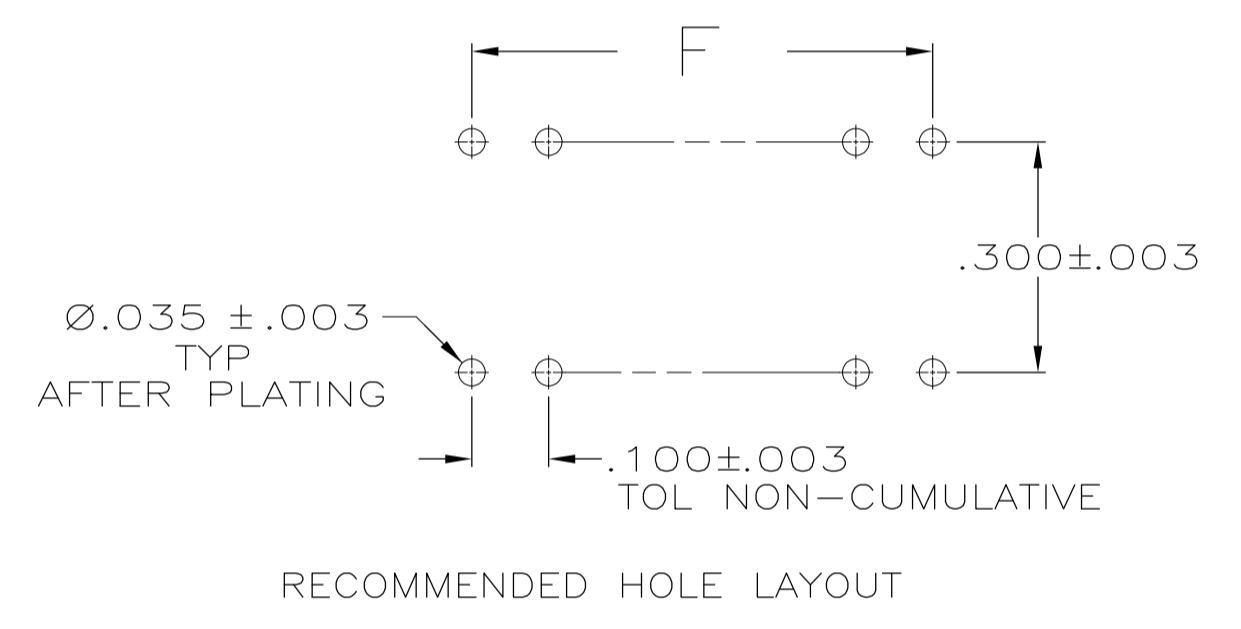
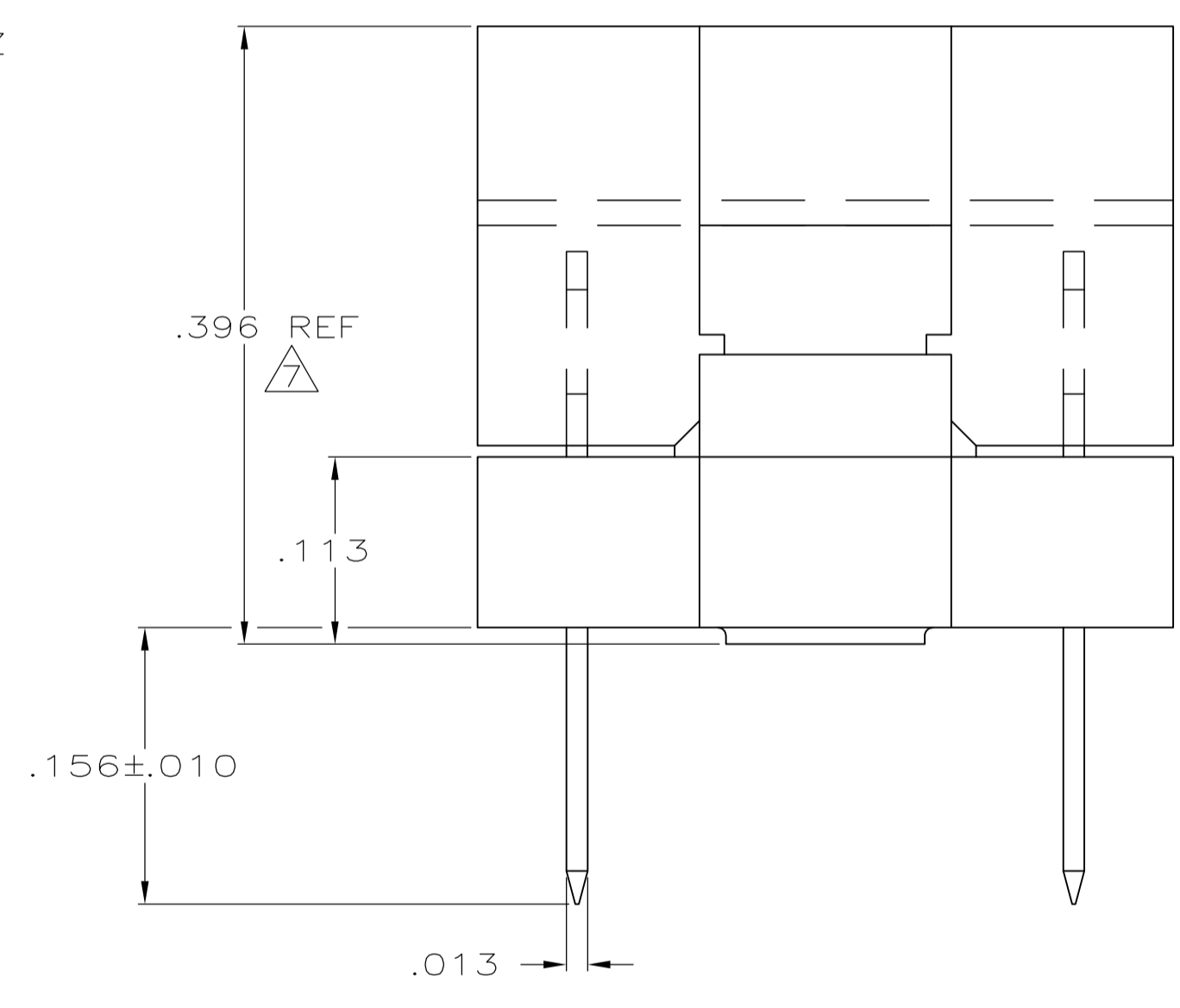
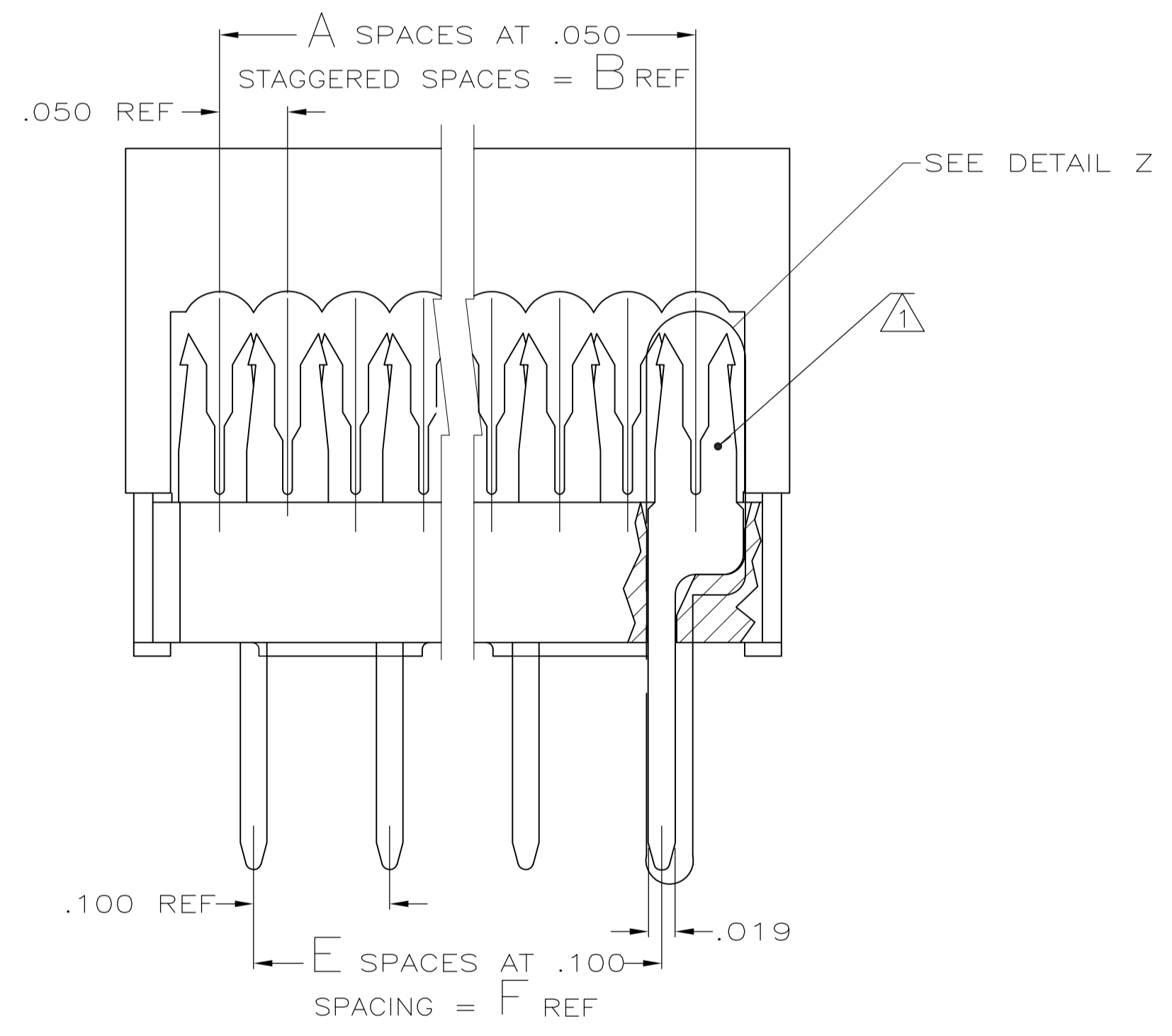


- 1 CONTACTS DESIGNED FOR 26 & 28 AWG STRANDED OR 26, 28 & 30 AWG SOLID WIRE.
- 2 AMP TRADEMARK LOCATED IN APPROX AREA SHOWN.
- 3 STANDOFFS: POSN 8 (2) STANDOFFS AS SHOWN. POSN 14-20 (3) STANDOFFS, (1) CENTERED BETWEEN (2) SHOWN
- 4 PLATED WITH .000100 - .000200 BRIGHT TIN LEAD OVER .000050 NICKEL.
- 5 PLATED WITH .000030 GOLD OVER .000050 NICKEL.
- 6 GOLD FLASH OVER .000050 NICKEL.
- 7 HEIGHT AFTER TERMINATION IS .253 REF.
- 8 INDICATES NO 1 POSITION.
- 9 PLATED WITH .000005 MIN GOLD IN IDC AREA OVER .000050 MIN NICKEL.
- 10 MOLDED PARTS: 94V-0 RATED THERMOPLASTIC, COLOR BLACK. CONTACTS: PHOS BRONZE.



CONTACT FINISH	F	E	D	C	B	A	NO OF POSN	PART NO			
	9	5	6	.900	9	1.088	.900	.950	19	20	1-746611-0
	9	5	6	.800	8	.988	.800	.850	17	18	-9
	9	5	6	.600	6	.788	.600	.650	13	14	-8
	9	5	6	.300	3	.488	.300	.350	7	8	-7
	9	5	6	.700	7	.888	.700	.750	15	16	-6
OBSOLETE	4	5	6	.900	9	1.088	.900	.950	19	20	-5
OBSOLETE	4	5	6	.800	8	.988	.800	.850	17	18	-4
OBSOLETE	4	5	6	.700	7	.888	.700	.750	15	16	-3
OBSOLETE	4	5	6	.600	6	.788	.600	.650	13	14	-2
OBSOLETE	4	5	6	.300	3	.488	.300	.350	7	8	746611-1

THIS DRAWING IS A CONTROLLED DOCUMENT.

DIMENSIONS: INCHES	TOLERANCES UNLESS OTHERWISE SPECIFIED:	DIN L VARELA - DOCKS 11-29-04	APVD C ROHDE 11-29-04	NAME M WALMSLEY 11-29-04	PRODUCT SPEC 108-40013	APPLICATION SPEC 114-40005	SIZE A1	SCALE 10:1	RESTRICTED TO
0 PLC ± -	1 PLC ± -	2 PLC ± -	3 PLC ± .005	4 PLC ± -	ANGLES ± -	WEIGHT -	100779	746611	10:1
MATERIAL 10	FINISH CONTACTS: SEE TABLE	CUSTOMER DRAWING			KIT, AMP-LATCH DIP PLUG, PREASSEMBLED .100 X .300 CENTERS, 30 GOLD DUPLEX CONTACTS		SHEET 1 OF 1 REV M		

X-ON Electronics

Largest Supplier of Electrical and Electronic Components

Click to view similar products for [Headers & Wire Housings](#) category:

Click to view products by [TE Connectivity](#) manufacturer:

Other Similar products are found below :

[95000-104TRLF](#) [10135584-644402LF](#) [DF62W-EP2022PCA](#) [95000-106TRLF](#) [DF62W-2022SCA](#) [DF62W-EP2022PC](#) [2203348](#) [DF62W-2022SC](#) [1084018](#) [1029039](#) [1084017](#) [802-10-012-10-002000](#) [1112640](#) [1112639](#) [000-34000](#) [0009482033](#) [0009507031](#) [57102-S06-03LF](#) [57202-S52-04LF](#) [PCN6-15S-2.5E](#) [0039019024](#) [58102-G61-06LF](#) [582553-1](#) [0009508121](#) [0050291907](#) [018731A](#) [LY20-4P-DT1-P1E-BR](#) [02.125.8002.8](#) [60101931](#) [60598-1 \(Cut Strip\)](#) [M1625-3R/100](#) [61062-3](#) [61082-181009](#) [636-1427](#) [638009-1](#) [641938-9](#) [641991-4](#) [644168-1](#) [647662-1](#) [65039-019ELF](#) [65817-002LF](#) [65817-015LF](#) [65863-015LF](#) [66207-023LF](#) [67016-026LF](#) [67046-001LF](#) [67095-007LF](#) [68002-116](#) [68016-236H](#) [68648-049](#)