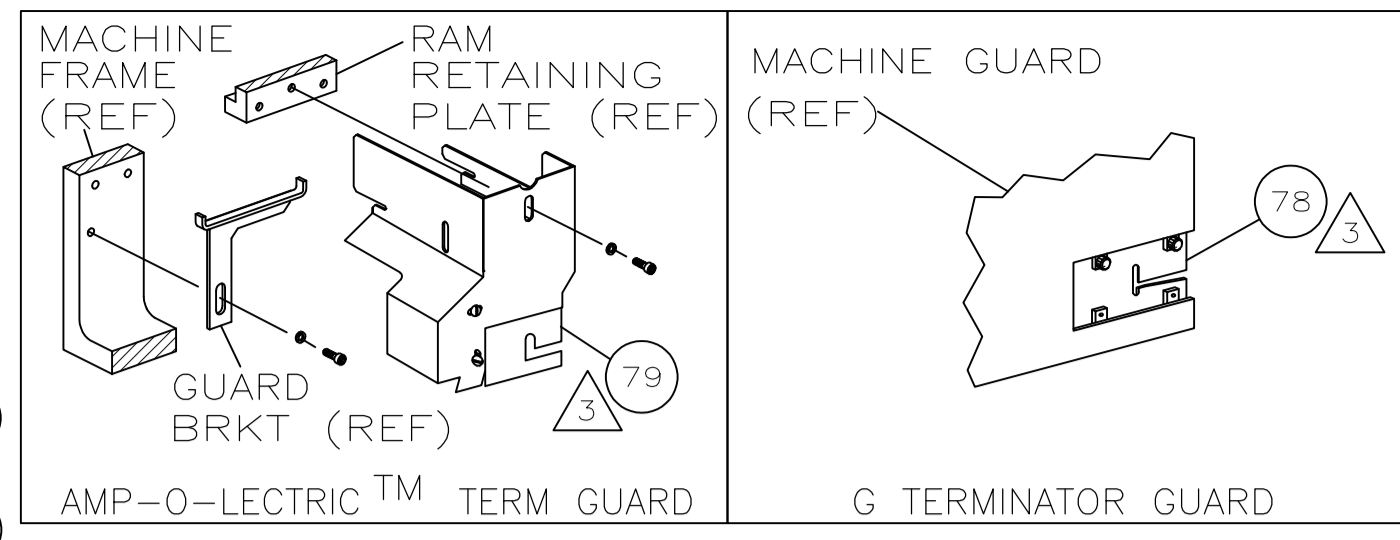


THIS DRAWING IS UNPUBLISHED. RELEASED FOR PUBLICATION.
 © COPYRIGHT BY TYCO ELECTRONICS CORPORATION. ALL RIGHTS RESERVED.

PART NUMBER	REV	FIRST USED
466571-1	U	854400-1
466571-2	U	565435-5
466571-3		DUAL HDM
466571-4	U	354500-1
7-466571-7	T	

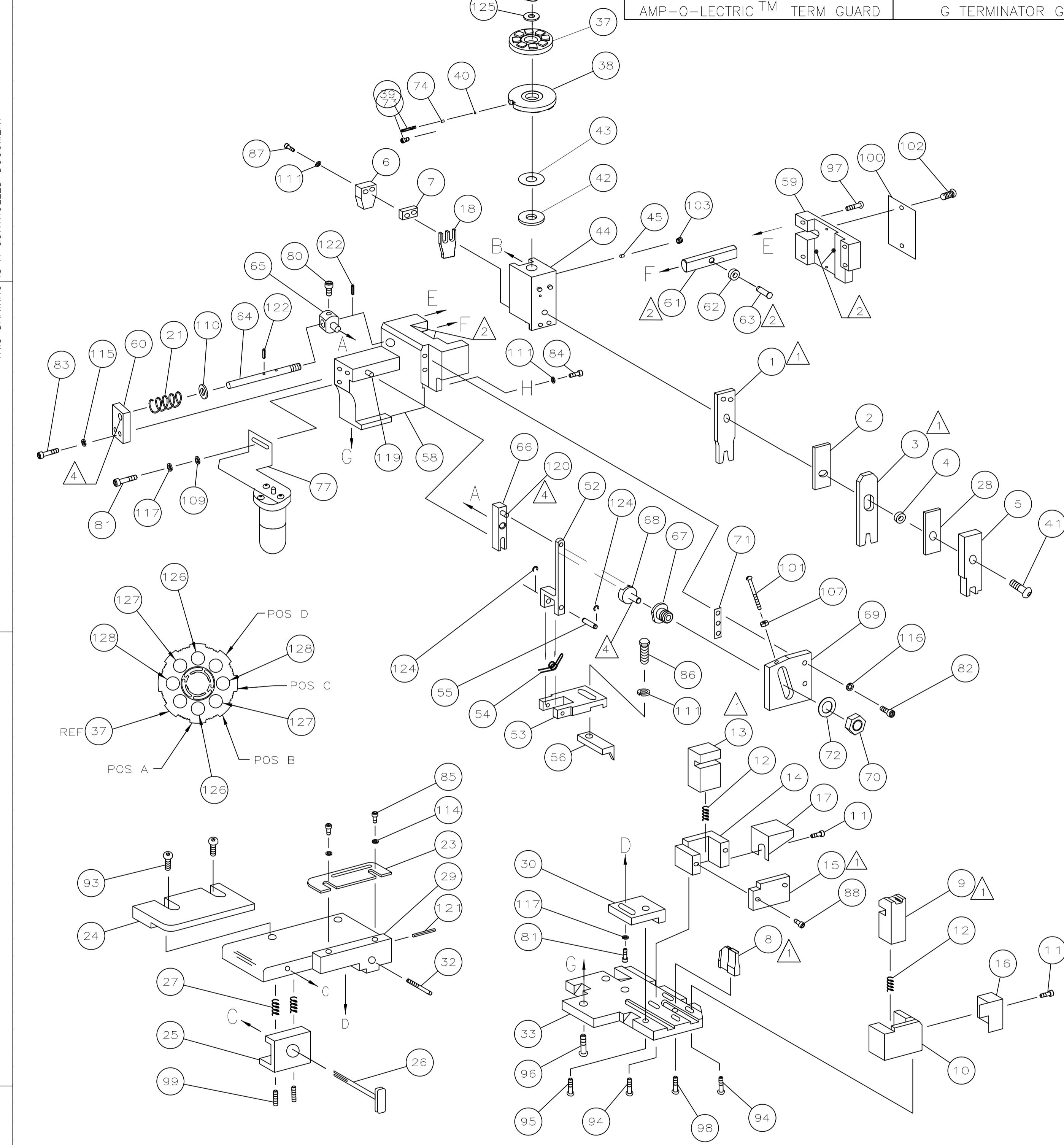
SEE DRAWING 466571-3



TERMINAL NAME:		CRIMPING DATA			
MOD IV FEMALE CONTACT		PAD LTR	CRIMP HEIGHT	WIRE SIZE	
	87666	A	.036 ±.002	22	
	87756	B	.032 ±.002	24	
	87809	C	.030 ±.002	26	
	102548	D	NOT	USED	
	103171				
		CRIMP	SIZE	TYPE	RANGE
		WIRE	.042	F	26-22
		FEED	.062	0	.061 MAX
		APPL INST	408-8040	SET UP GAGE	LAYOUT
		.300		458637-1	893
TERM APPL SPEC 114-25003		WIRE STRIP LENGTH .109-.172			

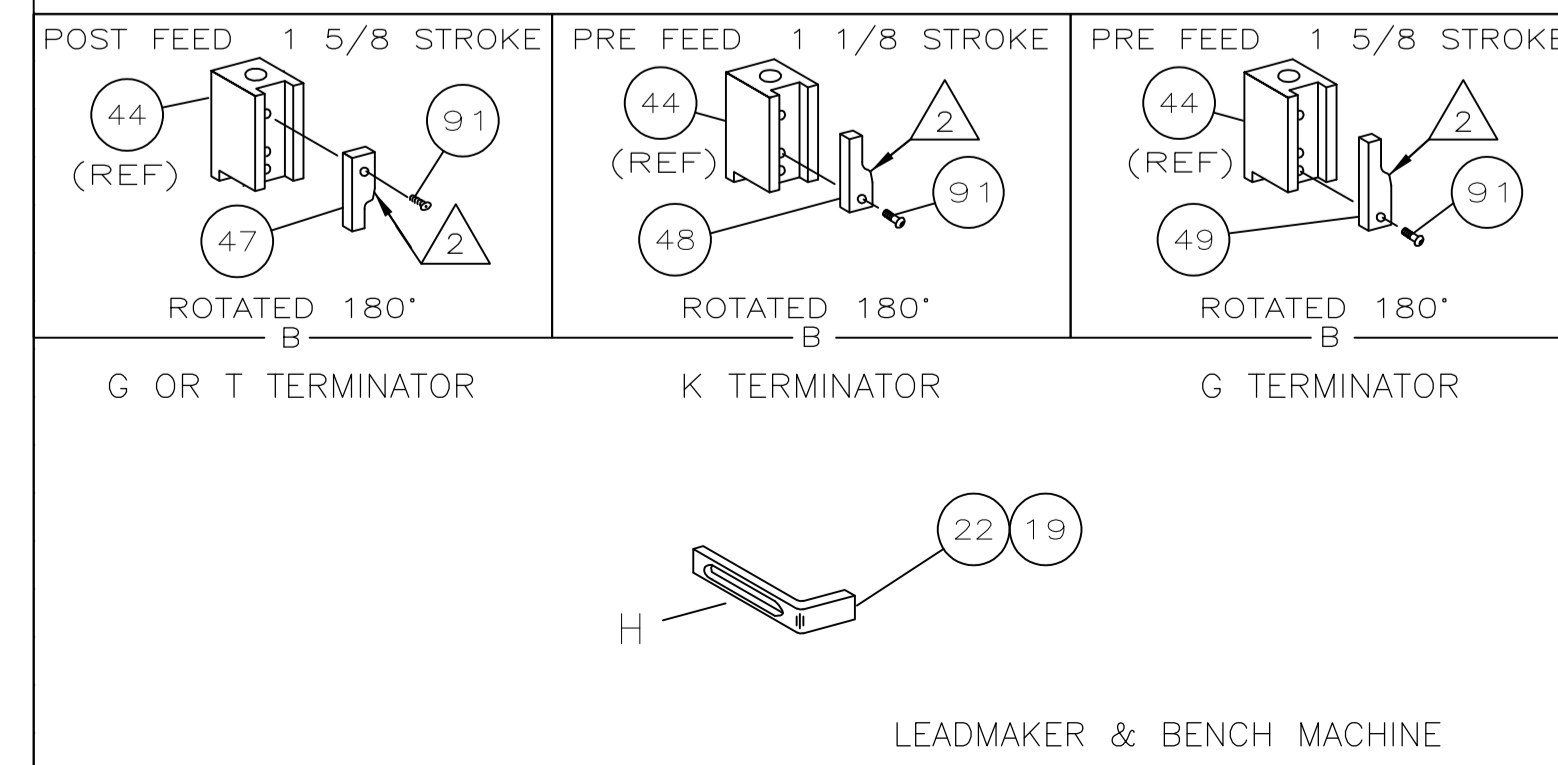
LOC		DIST		REVISIONS			
A	66			DESCRIPTION	DATE	BY	APPRO
		U1	ECR-07-029569		12-2007	MY	GB

-1	LEADMAKER	MECH POST FEED	-77	SPARE TOOLING KIT
-2	BENCH MODEL K	MECH PRE FEED		
-4	BENCH MODEL G	MECH PRE FEED		



-	2	2	2	-	6-354779-2	PIN, WIRE DISC (.3300)C	129
-	2	2	2	-	6-354779-0	PIN, WIRE DISC (.3290)B	127
-	2	2	2	-	5-354779-0	PIN, WIRE DISC (.3240)A	126
-	1	1	1	-	986950-1	WASHER, FLAT PRECISION	125
-	REF	REF	REF	-	21045-3	RING, RET "C"(Ø.187)FD FING PIN	124
-							123
-	REF	REF	REF	-	5-21028-1	PIN, SLT SPR(Ø.125x.50)ADJ ROD	122
-	1	1	1	-	4-21028-0	PIN, SLT SPR(Ø.093x.75)ST GDE PL	121
-	REF	REF	REF	-	1-21030-1	PIN, DOWEL(Ø.187x.50)LEVER	120
-	REF	REF	REF	-	1-21030-6	PIN, DOWEL(Ø.187x1.25)HOUSING	119
-							118
-	1	2	1	-	21024-5	WASHER, LOCK(#10)ADJ BLOCK	117
-	REF	REF	REF	-	21024-5	WASHER, LOCK(#10)ADJ PLATE	116
-	REF	REF	REF	-	21024-5	WASHER, LOCK(#10)FEED GDE ROD	115
-	2	2	2	-	21024-2	WASHER, LOCK(#4)FRONT STP GUIDE	114
-							113
-	4	4	4	-	21024-4	WASHER, LOCK(#8)STRIPPER	112
-	REF	REF	REF	-	21899-4	WASHER, FLAT(Ø5/16)SCREW ADJ	110
-	-	-	-	-	21899-2	WASHER, FLAT(NO.10)LUB ASSY	109
-							108
-	REF	REF	REF	-	21018-5	NUT, HEX(6-32)FEED ADJ	107
-							106
-							105
-							104
-	1	1	1	-	21009-2	SCR, SKT SET(1/4-20x.25 LW)RAM	103
-	2	2	2	-	21017-2	SCR, DRIVE(#2x.19)ID PLATE	102
-	REF	REF	REF	-	6-23715-5	SCR, PAN HD(6-32x1.50)FEED ADJ	101
-	1	1	1	-	461264-1	PLATE, IDENTIFICATION	100
-	2	2	2	-	5-21006-6	SCR, SET(10-32x.75)DRAG	99
-	1	1	1	-	22733-8	SCR, BHC(8-32x.38 LW)ANVIL	98
-	REF	REF	REF	-	2-21002-9	SCR, BHC(10-32x.75)CAP	97
-	REF	REF	REF	-	2-22733-8	SCR, BHC(1/4-20x.62)HOUSING	96
-	REF	REF	REF	-	2-21002-7	SCR, BHC(10-32x.50)SG ADJ BLOCK	95
-	4	4	4	-	2-21002-2	SCR, BHC(8-32x.50)SHEAR	94
-	2	2	2	-	2-21002-1	SCR, BHC(8-32x.38)R STRIP GUIDE	93
-							92
-	1	1	1	-	1-21002-7	SCR, BHC(6-32x.38)CAM	91
-							90
-							89
-	2	2	2	-	1-21000-8	SCR, SHC(6-32x.25)R SHEAR PLATE	88
-	2	2	2	-	2-21000-8	SCR, SHC(8-32x.62)DEP-HOLD	87
-	1	1	1	-	2-22603-0	SCR, HEX HD(8-32x.31)FEED FINGER	86
-	2	2	2	-	1-21000-3	SCR, SHC(4-40x.25)F ST GUIDE	85
-	1	1	1	-	2-21000-7	SCR, SHC(8-32x.50)STRIPPER	84
-	REF	REF	REF	-	3-21000-7	SCR, SHC(10-32x.75)FEED ROD GD	83
-	REF	REF	REF	-	3-21000-6	SCR, SHC(10-32x.62)FD ADJ BLK	82
-	1	2	1	-	3-21000-4	SCR, SHC(10-32x.38)SG ADJ BL	81
-	REF	REF	REF	-	3-21000-4	SCR, SHC(10-32x.38)PIVOT BLK	80
-	REF	REF	REF	-	455749-1	GUARD, WINDOW	79
-	REF	REF	REF	-	679532-1	INSERT, GUARD	78
-	-	-	-	-	1-465184-0	LUBRICATOR ASSY	77
-							76
-							75
-	1	1	1	-	690603-1	SPRING, ASSIST	74
-	1	1	1	-	23030-1	SCR, SHC(6-32x.25 SL)INS DISC	73
-	REF	REF	REF	-	458109-1	WASHER, SPECIAL	72
-	REF	REF	REF	-	690517-1	SPACER	71
-	-77	-4	-2	-1	U/M	PART NO	ITEM NO
QTY REQD PER ASSY		PARTS LIST					

-	REF	REF	REF	-	22594-8	NUT, HEX(1/2-20)	70
-	REF	REF	REF	-	240628-1	PLATE, ADJUSTMENT	69
-	REF	REF	REF	-	240626-1	SHAFT, PIVOT	68
-	REF	REF	REF	-	240633-1	BUSHING	67
-	REF	REF	REF	-	455680-1	LEVER, INTERMEDIATE	66
-	REF	REF	REF	-	240629-1	BLOCK, PIVOT	65
-	REF	REF	REF	-	240632-2	SCREW, ADJ FEED ROD	64
-	REF	REF	REF	-	240659-3	PIN, CAM ROLLER	63
-	REF	REF	REF	-	240658-1	ROLLER, CAM	62
-	REF	REF	REF	-	454398-2	ROD, FEED	61
-	REF	REF	REF	-	454178-1	GUIDE, FEED ROD	60
-	REF	REF	REF	-	454220-1	CAP, RAM	59
-	REF	REF	REF	-	454485-1	HOUSING	58
-							57
-	1	1	1	-	458537-1	PAWL, FEED	56
-	REF	REF	REF	-	240624-1	PIN, FEED FINGER	55
-	REF	REF	REF	-	691499-1	SPRING, FEED FINGER	54
-	REF	REF	REF	-	690541-1	HOLDER, FEED FINGER	53
-	REF	REF	REF	-	455679-1	LEVER, TERMINAL FEED ARM	52
-							51
-							50
-	1	-	-	-	690602-6	CAM, PRE-FEED 1 5/8 ST	49
-	-	1	-	-	690602-5	CAM, PRE-FEED 1 1/8 ST	48
-	-	-	1	-	690501-4	CAM, POST-FEED 1 5/8 ST	47
-	1	1	1	-	459456-1	APPLICATOR, BASIC (SUBASSY)	46
-	1	1	1	-	690191-1	PLUG, NYLON	45
-	1	1	1	-	455673-1	RAM	44
-	1	1	1	-	690125-1	WASHER, LAMINATED	43
-	1	1	1	-	690124-1	WASHER, RAM	42
-	1	1	1	-	7-21002-9	BOLT, CRIMPER(5/16x1.00)	41
-	1	1	1	-	23241-6	BALL, STEEL	40
-	1	1	1	-	690170-1	SPRING, COMPRESSION	39
-	1	1	1	-	690142-3	DISC, INSULATION	38
-	1	1	1	-	354777-1	WIRE DISC, PLASTIC	37
-	1	1	1	-	22480-5	WASHER, SPRING	36
-	1	1	1	-	690212-1	POST, RAM	35
-							34
-	REF	REF	REF	-	455675-1	PLATE, BASE	33
-	1	1	1	-	690432-3	SCREW, ADJUSTMENT	32
-							31
-	REF	REF	REF	-	455689-1	BLOCK, STRIP GUIDE ADJ	30
-	1	1	1	-	455671-5	PLATE, STRIP GUIDE	29
-	1	1	1	-	1-455888-2	SPACER, FRONT SHEAR DEP	28
-	2	2	2	-	1-22284-0	SPRING, DRAG	27
-	1	1	1	-	690546-1	LEVER, DRAG RELEASE	26
-	1	1	1	-	240792-1	DRAG, TERMINAL	25
-	1	1	1	-	6-690504-4	GUIDE, STRIP (REAR)	24
-	1	1	1	-	690438-1	GUIDE, STRIP (FRONT)	23
-	-	-	-	-	690472-2	STRIPPER	22
-	REF	REF	REF	-	4-22284-9	SPRING, FEED RETURN	21
-							20
-	1	1	-	-	691353-1	STRIPPER	19
-	1	1	1	-	690518-2	HOLDER, TERMINAL	18
-	1	1	1	-	691668-1	GUARD, CHIP (REAR)	17
-	1	1	1	-	691667-1	GUARD, CHIP (FRONT)	16
-	1	1	1	-	1-690691-1	PLATE, SHEAR (REAR)	15
-	1	1	1	-	690462-1	HOLDER, SHEAR (REAR)	14
-	1	1	1	-	690463-1	SHEAR, FLOAT (REAR)	13
-	2	2	2	-	3-22280-3	SPRING, SHEAR	12
-	2	2	2	-	690461-1	STOP, SHEAR	11
-	1	1	1	-	690459-1	HOLDER, SHEAR (FRONT)	10
-	1	1	1	-	462006-1	SHEAR, FLOAT (FRONT)	9
1	1	1	1	-	4-690512-9	ANVIL	8
-	1	1	1	-	240641-5	SPACER, DEPRESSOR (REAR)	7
-	1	1	1	-	690468-1	DEPRESSOR, SHEAR (REAR)	6
-	1	1	1	-	2-455889-0	DEPRESSOR, SHEAR (FRONT)	5
-	1	1	1	-	238011-7	SPACER, BLOCK CRIMPER	4
1	1	1	1	-	8-456135-3	CRIMPER, INSULATION	3
-	1	1	1	-	455888-4	SPACER, CRIMPER	2
1	1	1	1	-	217885-6	CRIMPER, WIRE	1
-77	-4	-2	-1	U/M	PART NO	DESCRIPTION	ITEM NO
QTY REQD PER ASSY		PARTS LIST					



- 1 RECOMMENDED SPARE PARTS.
 - 2 GREASE LIGHTLY.
 - 3 GUARD MUST BE IN PLACE WHEN OPERATING APPLICATOR IN A BENCH MACHINE.
 - 4 LUBRICATE DAILY USING NO. 20 MACHINE OIL.
5. ITEMS WITH QTY OF REF SPECIFIED (EXCEPT ITEMS 78 AND 79) ARE USED ON ITEM 46.

THIS DRAWING IS A CONTROLLED DOCUMENT.

DIMENSIONS: INCHES	TOLERANCES UNLESS OTHERWISE SPECIFIED:	0 PLC ± .005	1 PLC ± .002	2 PLC ± .001	3 PLC ± .001	4 PLC ± .001	ANGLES ± .001
MATERIAL	FINISH	WEIGHT	SIZE	CAGE CODE	DRAWING NO	RESTRICTED TO	
			A1	00779	466571		

CUSTOMER DRAWING SCALE - SHEET 1 of 1 REV U1

THIS DRAWING IS A CONTROLLED DOCUMENT. D. SALTZER 8/11/94
 C. FERISMAN 8-11-94
 T. BEDDICK 8-11-94
 Tyco Electronics Corporation
 Harrisburg, PA 17105-3608
 SIDE FEED HDM APPLICATOR

X-ON Electronics

Largest Supplier of Electrical and Electronic Components

Click to view similar products for [Hand Tools](#) category:

Click to view products by [TE Connectivity](#) manufacturer:

Other Similar products are found below :

[568681-1](#) [576786-2](#) [58061-1](#) [58176-1](#) [58177-1](#) [58177-2](#) [58284-1](#) [59085](#) [0031](#) [59737-5](#) [015-0339-000](#) [015-8755-001](#) [600-146-06](#) [M15570-25](#) [62200-5709](#) [6-304052-1](#) [63443-1002](#) [63443-3513](#) [63443-4025](#) [63443-7114](#) [6-354778-5](#) [6-354779-2](#) [63600-2995](#) [63810-0105](#) [M8196914-08](#) [M819698-07](#) [662508-1](#) [662908-1](#) [679994-1](#) [679994-2](#) [68764-0001](#) [69001-0105](#) [69002-5525](#) [690124-7](#) [690191-1](#) [690191-4](#) [690696-1](#) [691409-4](#) [691667-1](#) [692006-2](#) [692655-7](#) [692776-1](#) [692776-4](#) [693077-3](#) [693077-4](#) [693597-1](#) [D20418-137](#) [D20419-189](#) [ESR-17x17](#) [ET-LY10](#)