

4

3

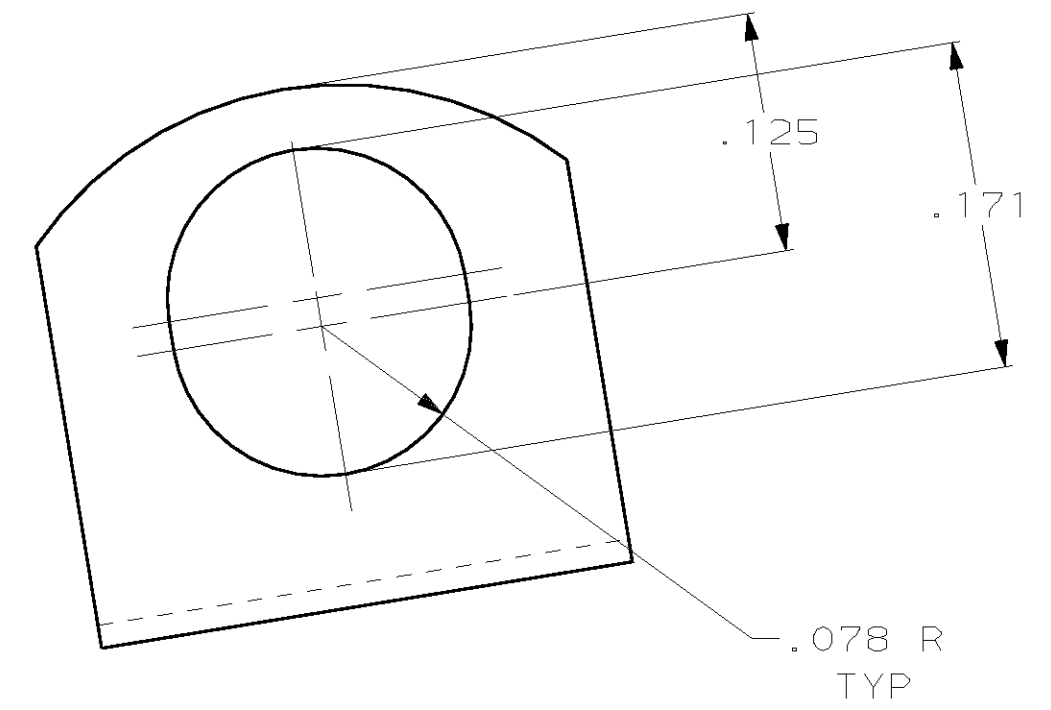
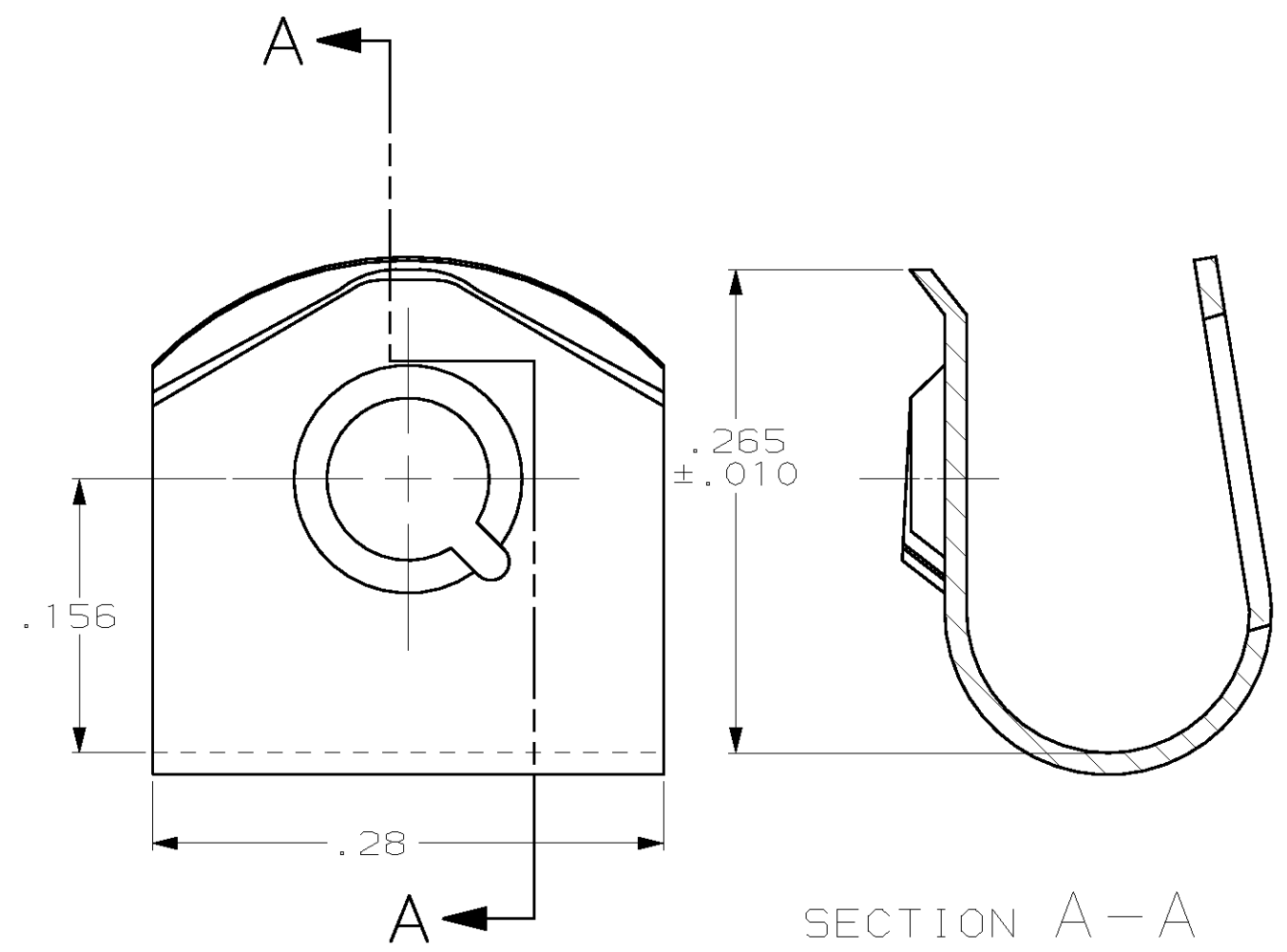
2

1

THIS DRAWING IS UNPUBLISHED. RELEASED FOR PUBLICATION, 19 .
 © COPYRIGHT 19 BY AMP INCORPORATED. ALL RIGHTS RESERVED.

LOC	DIST	REVISIONS			
P	LTR	DESCRIPTION	DATE	DWN	APVD
BD	28	0	DWN PER WR99-17	17-FEB-99	LM WT

- ① PART MUST ACCEPT #4-40 UNC-2A THREAD.
- ② 100-198, STAINLESS STEEL
.012±.001 THICK.



OBSOLETE	746880-2
	746880-1
PART NO	

THIS DRAWING IS A CONTROLLED DOCUMENT.		DWN	L. McEACHIN	17-FEB-99	AMP AMP Incorporated Harrisburg, PA 17105-3608
DIMENSIONS: INCHES		CHK	W. TAYLOR	17-FEB-99	
TOLERANCES UNLESS OTHERWISE SPECIFIED:		APVD	W. TAYLOR	17-FEB-99	NAME
0 PLC ±- 1 PLC ±- 2 PLC ±.02 3 PLC ±.005 4 PLC ±- ANGLES ±2°		PRODUCT SPEC		RETAINER, SCREW, LOW PROFILE HDF, 135 FLANGE	
MATERIAL		APPLICATION SPEC		SIZE	CAGE CODE
③		FINISH -		A300779 C- 746880	
CUSTOMER DRAWING				RESTRICTED TO	-
SCALE 10:1				SHEET 1 OF 1	REV 0

X-ON Electronics

Largest Supplier of Electrical and Electronic Components

Click to view similar products for [D-Sub Tools & Hardware](#) category:

Click to view products by [TE Connectivity](#) manufacturer:

Other Similar products are found below :

[000-01-09-132](#) [000-01-21-132](#) [000-01-31-162](#) [572019-00105-70](#) [000-01-37-162](#) [621-250-113-115](#) [D110550-2](#) [D20418-137](#) [780-518-50SG6-WS](#) [86552009](#) [86553115TLF](#) [86553117TLF](#) [1230032-1](#) [1-5021101-2](#) [1589283-4](#) [160-000-005R031](#) [16-000230](#) [160-025-004R031](#) [160-000-137R000](#) [160-020-209R000](#) [164C03939A](#) [177-505-A-2-2](#) [1-966830-8](#) [21018-6](#) [21028-2](#) [2-1393560-9](#) [JS-1000](#) [L17D204182M3E](#) [L17D53018](#) [300X10779X](#) [160X10189X](#) [160X10419X](#) [160X10959X](#) [162-000-050R000](#) [21018-5](#) [212561-3](#) [248C21550X](#) [CF15P](#) [QLOCKPOST-2](#) [D110277](#) [500-008NF1K-01](#) [500-008NF3R3KS-01](#) [500-017M09FN](#) [500-017M15MHN](#) [500-024M1](#) [500-068M3](#) [5-1393561-5](#) [C115373-0001](#) [C115373-0002](#) [3342-4-KIT](#)