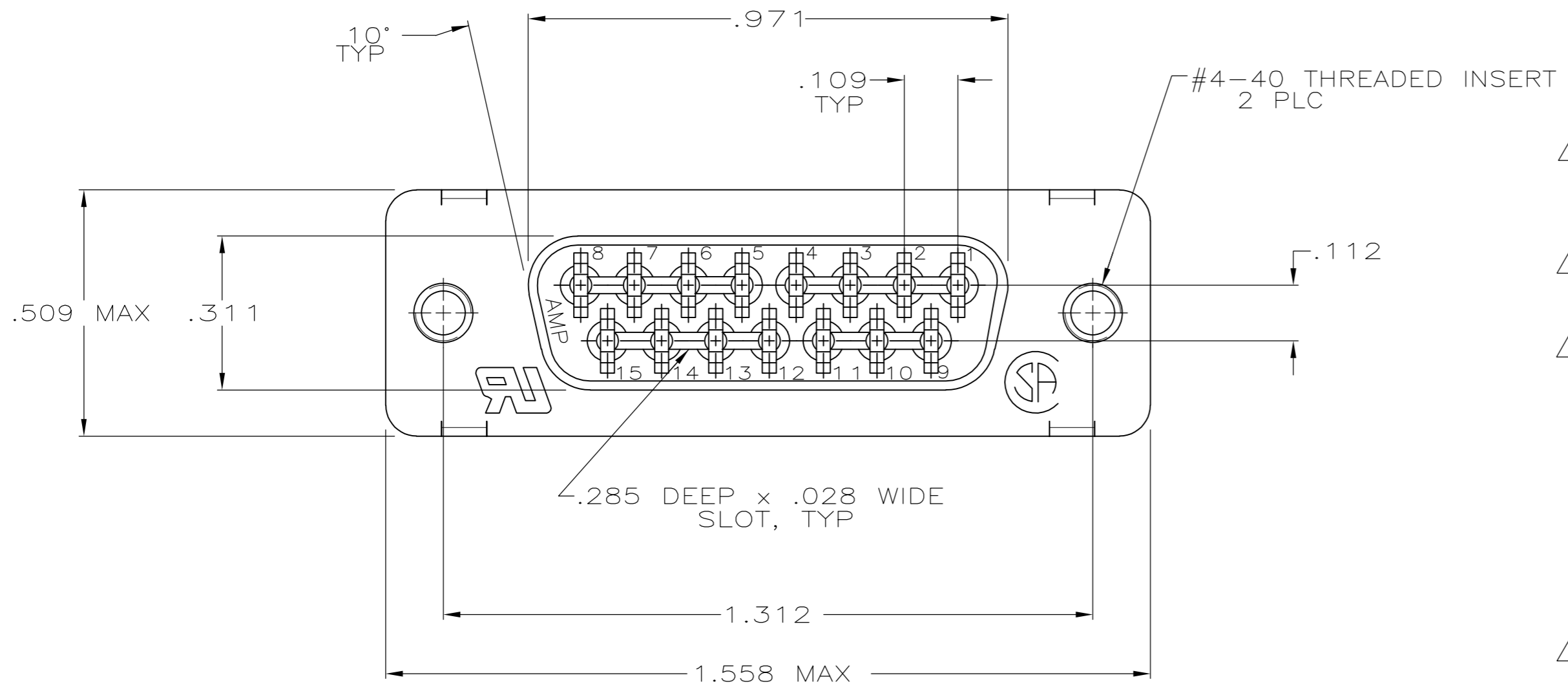
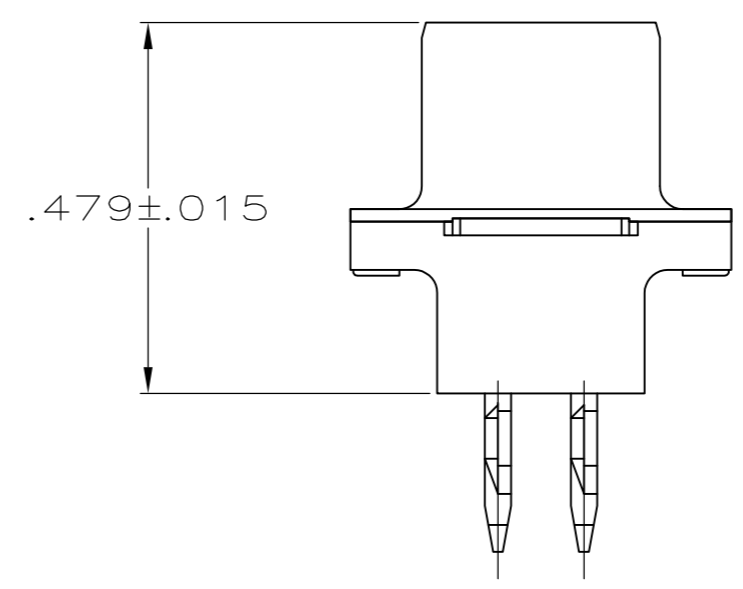
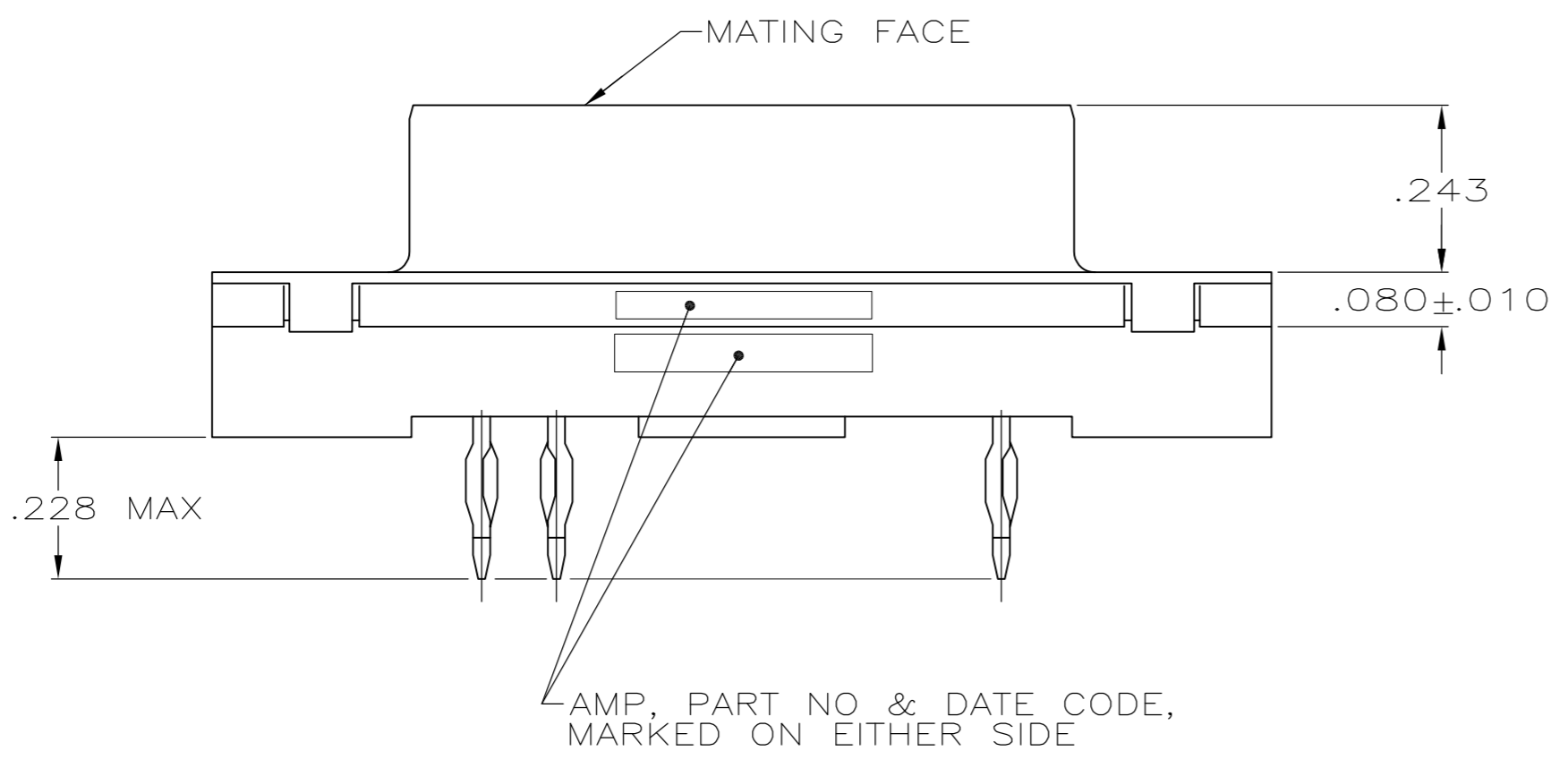


THIS DRAWING IS UNPUBLISHED. RELEASED FOR PUBLICATION  
 © COPYRIGHT - By - ALL RIGHTS RESERVED.

LOC	DIST	REVISIONS					
GP	00	P	LTR	DESCRIPTION	DATE	DWN	APVD
		M		REV PER ECO-12-000090	1FEB2012	CJV	SLB



- 1 FOR USE WITH .093 MINIMUM THICK PRINTED CIRCUIT BOARD. REFER TO APPLICATION SPECIFICATION FOR PRINTED CIRCUIT BOARD LAYOUT DIMENSIONS AND FINISH RECOMMENDATIONS.
- 2 DUPLEX PLATED: GOLD FLASH ON MATING SURFACE, BRIGHT TIN OR BRIGHT TIN LEAD ON COMPLIANT PIN, ALL OVER NICKEL.
- 3 .000030 MINIMUM GOLD IN MATING AREA. 000100 MINIMUM TIN OR TIN-LEAD ON COMPLIANT PIN. ALL OVER .000050 MINIMUM NICKEL.  
OR  
GOLD FLASH OVER PALLADIUM NICKEL .000030 MINIMUM TOTAL IN MATING AREA. .000100 MINIMUM TIN OR TIN-LEAD ON COMPLIANT PIN. ALL OVER .000050 MINIMUM NICKEL.
- 4 PLATED .0002-.0004 BRIGHT TIN



SUPERSEDED BY 747141-2	3	747141-2
	2	747141-1
	CONTACT FINISH	FINISH

THIS DRAWING IS A CONTROLLED DOCUMENT. DIMENSIONING AND TOLERANCING PER ASME Y14.5M-2009		DWN D.HARDY 03-31-94	<b>STE</b> TE Connectivity	
DIMENSIONS: INCHES		CHK R.STONE 04-26-94		
TOLERANCES UNLESS OTHERWISE SPECIFIED:		APVD -	NAME RCPT ASSY, SIZE 2, 15 POSN, AMPLIMITE™ HDP, MDM PROFILE, W/ ACTION PIN CONT & METAL SHELL. #4-40 THREADED INSERTS	
0 PLC ± -	1 PLC ± -	PRODUCT SPEC 108-40014	SIZE A2	CAGE CODE 00779
2 PLC ± -	3 PLC ± .005	APPLICATION SPEC 114-40026 1	DRAWING NO C=747141	RESTRICTED TO -
4 PLC ± -	ANGLES ± 2°	WEIGHT -	SCALE 4:1	SHEET 1 of 1
MATERIAL: HOUSING: FLAME RETARDANT 94V-0 RATED THERMOPLSTC; COLOR: BLACK; CONTACTS: COPPER ALLOY; SHELL: CARBON STEEL; INSERT: BRASS.		CONTACTS: SEE TABLE; SHELL: UNPLATED; INSERTS: UNPLATED		REV M
CUSTOMER DRAWING				

## X-ON Electronics

Largest Supplier of Electrical and Electronic Components

*Click to view similar products for D-Sub Standard Connectors category:*

*Click to view products by TE Connectivity manufacturer:*

Other Similar products are found below :

[56F711-015](#) [012-9507-004](#) [LV242999-142T12](#) [015-0341-000](#) [015-0349-000](#) [015-0372-005](#) [015-0372-008](#) [015-8755-001](#) [020419-0104](#) [012-0467-000](#) [012-0515-000](#) [012-9507-034](#) [012-9507-114](#) [020745-0008](#) [609-25P](#) [M24308/2-23Z](#) [CT2-14S-2PCA34](#) [CT2-18-11PCAU](#) [CT2-36-15SC](#) [CT6-14S-2SC](#) [CT6E14SA7SC](#) [CT6E22-14PC](#) [CT6E22-14PS](#) [CT6E22-22PS](#) [M83513/01-FC](#) [M85049/48-3-2F](#) [6STD09PCM99B70X](#) [6STD09SCM99B30X](#) [6STD09SCT99S40X](#) [6STD15PCT99S40X](#) [6STD15SCM99B30X](#) [6STD15SCT99S40X](#) [6STF09PCM05B70X](#) [7-135760-9](#) [MC11E-10-6SN](#) [747552-3](#) [MD1-21PS](#) [MDM-15SCBRM7-F222](#) [MDM96517-699](#) [MDM96521-744](#) [MDVB1-21SL1](#) [MIK0-1-7SH003](#) [MIKQ6-7SH076](#) [MIKQ7-7PH077](#) [MIKQ7-7PH11](#) [MIKQ7-7PH32](#) [MIKQ9-7PH003](#) [MJSV-28SL61](#) [MKJ4A1F14-55S](#) [8-135760-3](#)