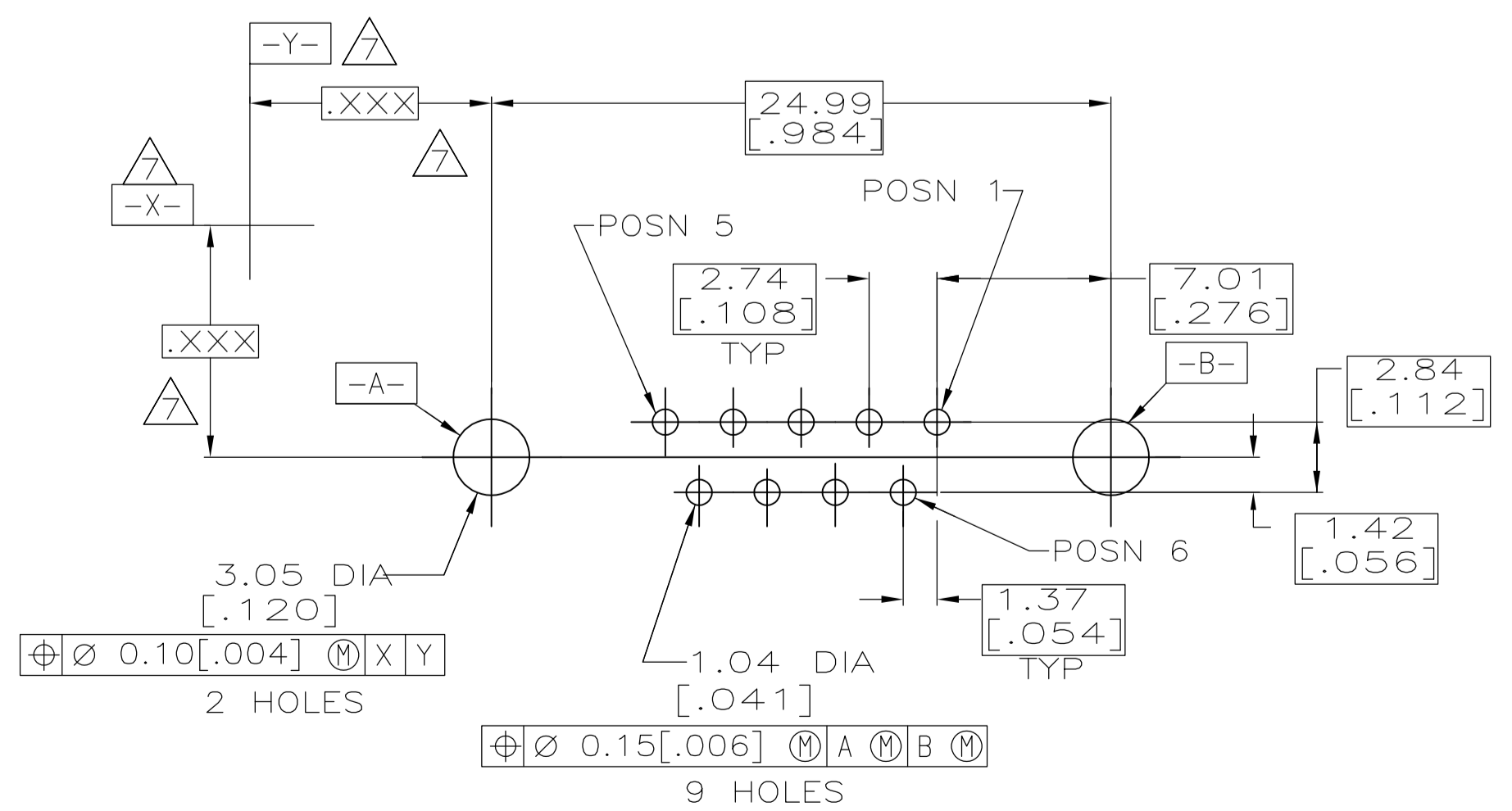
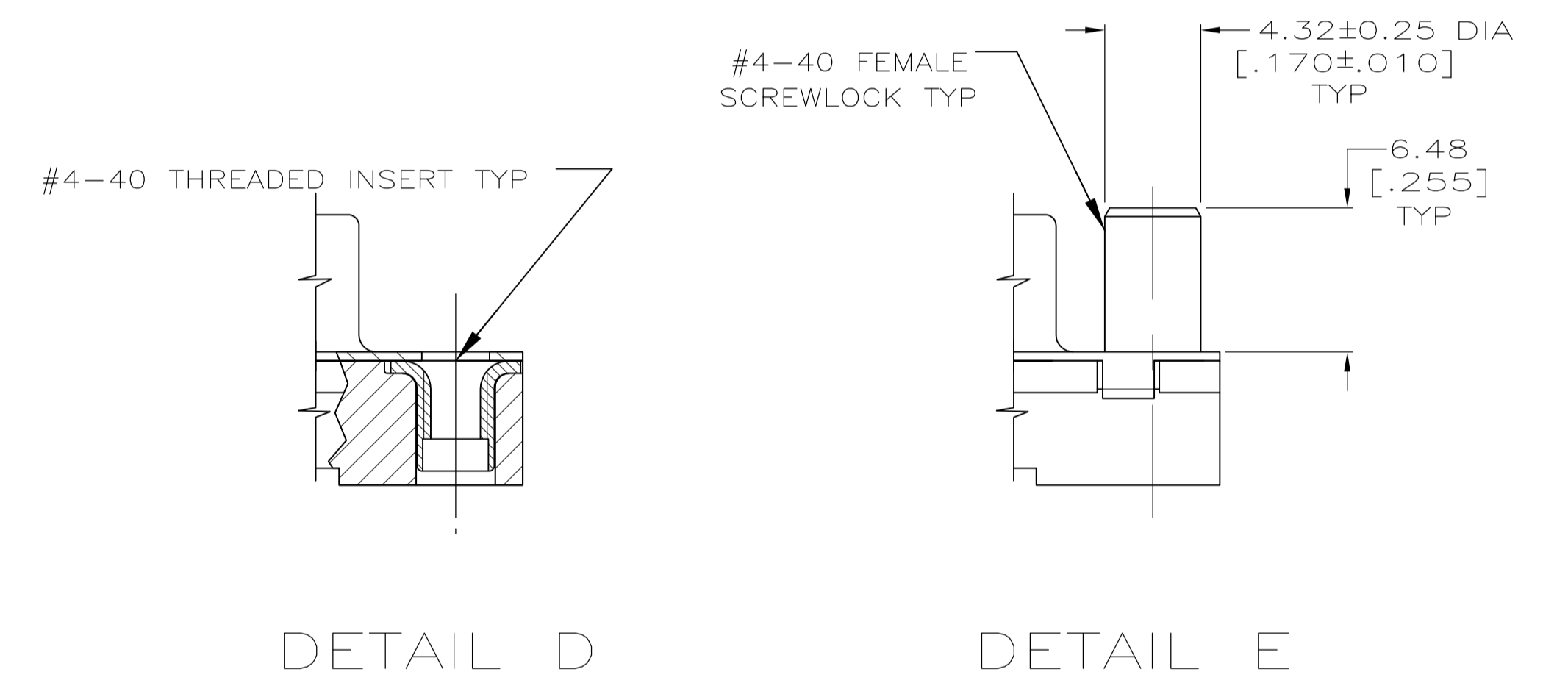
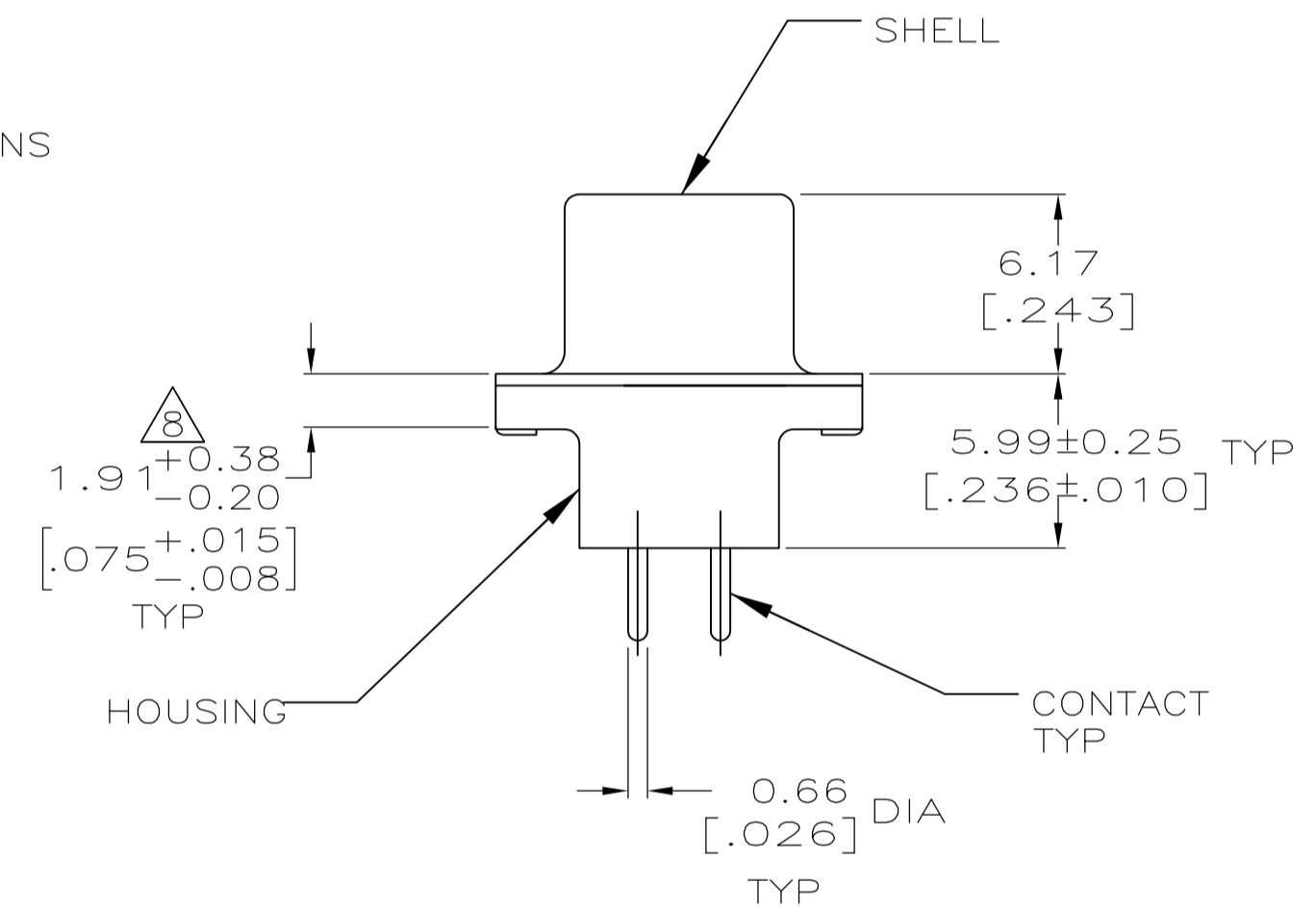


- △ HOUSING: POLYESTER, UL 94V-0 RATED, BLACK.
- △ SHELL: CARBON STEEL.
- △ SHELL: 5.08um [.000200] MIN TIN OVER 2.54um [.000100] MIN COPPER.
- △ GOLD FLASH FOR A LENGTH OF 2.54[.100] MIN FROM MATING END, 2.54um [.000100] MIN TIN OR TIN-LEAD ON OPPOSITE END, BOTH OVER 1.27um [.000050] MIN NICKEL.
- △ 0.76um [.000030] MIN GOLD FOR A LENGTH OF 2.54 [.100] MIN FROM MATING END, 2.54um [.000100] MIN TIN OR TIN-LEAD ON OPPOSITE END, BOTH OVER 1.27um [.000050] MIN NICKEL.
- 6. NOTE DELETED.
- △ DATUMS AND BASIC DIMENSIONS ESTABLISHED BY CUSTOMER.
- △ 2.79[.110] MAX IN SHELL TAB CLINCH AREAS.
- △ SUPERSEDED BY 747150-2.
- △ SUPERSEDED BY 747150-9.
- △ SUPERSEDED BY 1-747150-6.
- △ OBSOLETE.
- △ CONTACTS: PHOSPHOR BRONZE.
- △ SCREWLOCKS: ZINC.
- △ INSERTS: BRASS.



RECOMMENDED PC BOARD LAYOUT  
CONNECTOR SIDE OF PC BOARD

|   |          |             |            |
|---|----------|-------------|------------|
| W/FEMALE SCREWLOCKS PER DETAIL E                  | △ 5      | 4.32 [.170] | 1-747150-6 |
|   | △ 4      | 4.32 [.170] | 1-747150-5 |
|   | △ 5      | 3.18 [.125] | 1-747150-4 |
|   | △ 4      | 3.18 [.125] | 1-747150-3 |
| W/THREADED INSERTS PER DETAIL D                   | △ 4      | 6.35 [.250] | 1-747150-1 |
|   | △ 5      | 4.32 [.170] | 1-747150-0 |
|   | △ 4      | 4.32 [.170] | 747150-9   |
|   | △ 5      | 3.18 [.125] | 747150-8   |
| WO/FEMALE SCREWLOCKS OR THREADED INSERTS AS SHOWN | △ 4      | 3.18 [.125] | 747150-7   |
|   | △ 5      | 4.32 [.170] | 747150-4   |
|   | △ 5      | 3.18 [.125] | 747150-2   |
|   | △ 4      | 3.18 [.125] | 747150-1   |
| HARDWARE OPTIONS                                  | CONTACTS |             | PART NO    |
|   | FINISH   | C           |            |

|  |            |                  |           |            |
|--|------------|------------------|-----------|------------|
| THIS DRAWING IS A CONTROLLED DOCUMENT. |            | DIN 3-22-93      | BROCKWAY  |            |
| DIMENSIONS: mm [INCHES]                |            | 5-10-93          | R STONE   |            |
| TOLERANCES UNLESS OTHERWISE SPECIFIED: |            | APVD             |           |            |
| 0 PLC ± -                              | 1 PLC ± -  | NAME             |           |            |
| 2 PLC ± 0.13 [.005]                    | 3 PLC ± -  | PRODUCT SPEC     |           |            |
| 4 PLC ± -                              | ANGLES ± - | 108-40025        |           |            |
| MATERIAL                               |            | APPLICATION SPEC |           |            |
| FINISH                                 |            | 114-40023        |           |            |
| CONTACTS: SEE TABLE                    |            | SIZE             | CAGE CODE | DRAWING NO |
| CUSTOMER DRAWING                       |            | A1               | 00779     | 747150     |
| SCALE 4:1                              |            | RESTRICTED TO    |           |            |
| SHEET 1 of 1                           |            | REV M1           |           |            |

## X-ON Electronics

Largest Supplier of Electrical and Electronic Components

*Click to view similar products for [D-Sub Standard Connectors](#) category:*

*Click to view products by [TE Connectivity](#) manufacturer:*

Other Similar products are found below :

[56F711-015](#) [012-9507-004](#) [LV242999-142T12](#) [015-0341-000](#) [015-0349-000](#) [015-0372-005](#) [015-0372-008](#) [015-8755-001](#) [020419-0104](#) [012-0467-000](#) [012-0515-000](#) [012-9507-034](#) [012-9507-114](#) [020745-0008](#) [609-25P](#) [CT2-14S-2PCA34](#) [CT2-18-11PCAU](#) [CT2-36-15SC](#) [CT6-14S-2SC](#) [CT6E14SA7SC](#) [CT6E22-14PC](#) [CT6E22-14PS](#) [CT6E22-22PS](#) [M83513/01-FC](#) [M85049/48-3-2F](#) [6STD09PCM99B70X](#) [6STD09SCM99B30X](#) [6STD09SCT99S40X](#) [6STD15PCT99S40X](#) [6STD15SCM99B30X](#) [6STD15SCT99S40X](#) [6STF09PCM05B70X](#) [7-135760-9](#) [MC11E-10-6SN](#) [747552-3](#) [MD1-21PS](#) [MDM-15SCBRM7-F222](#) [MDM96517-699](#) [MDM96521-744](#) [MDVB1-21SL1](#) [MIK0-1-7SH003](#) [MIKQ6-7SH076](#) [MIKQ7-7PH077](#) [MIKQ7-7PH11](#) [MIKQ7-7PH32](#) [MIKQ9-7PH003](#) [MJSV-28SL61](#) [MKJ4A1F14-55S](#) [8-135760-3](#) [8STD09PCM99B30X](#)