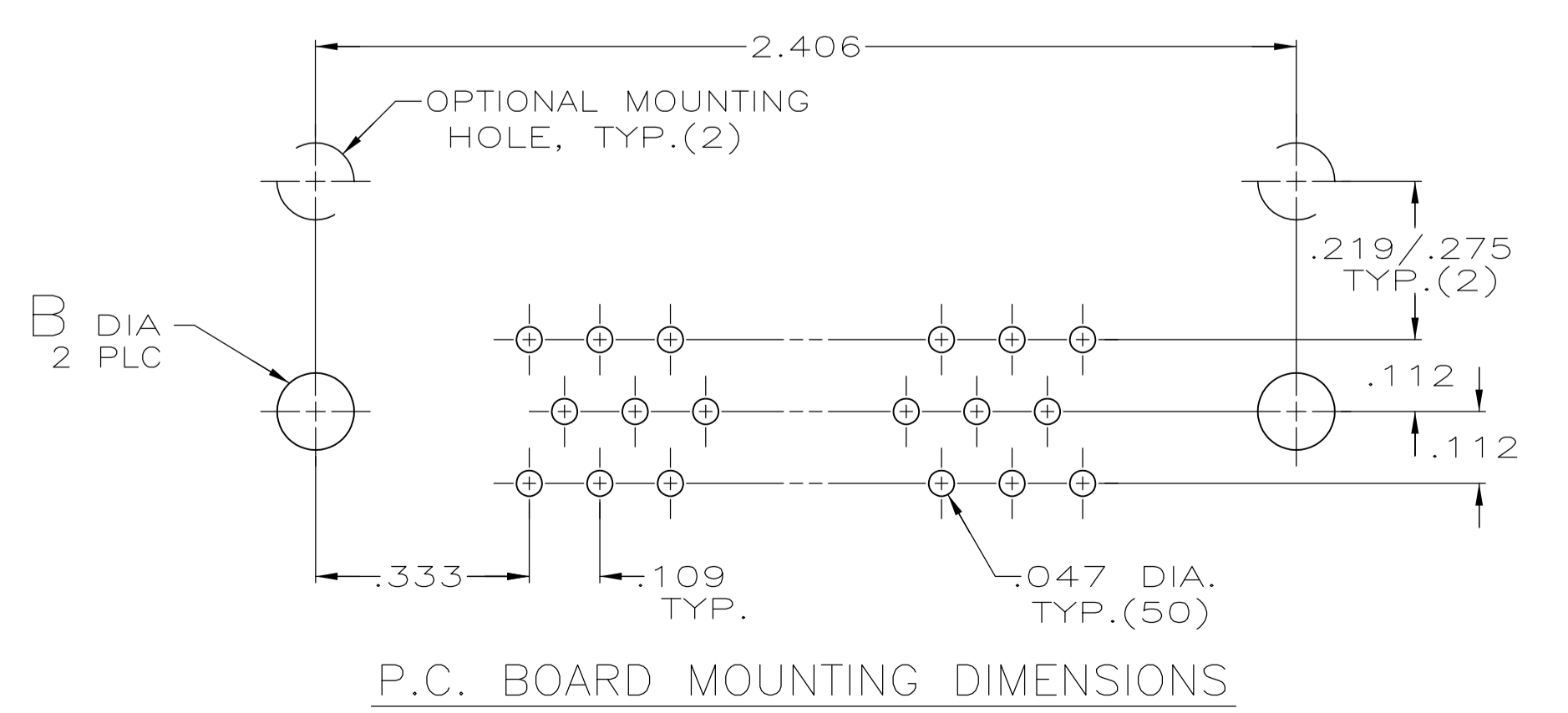
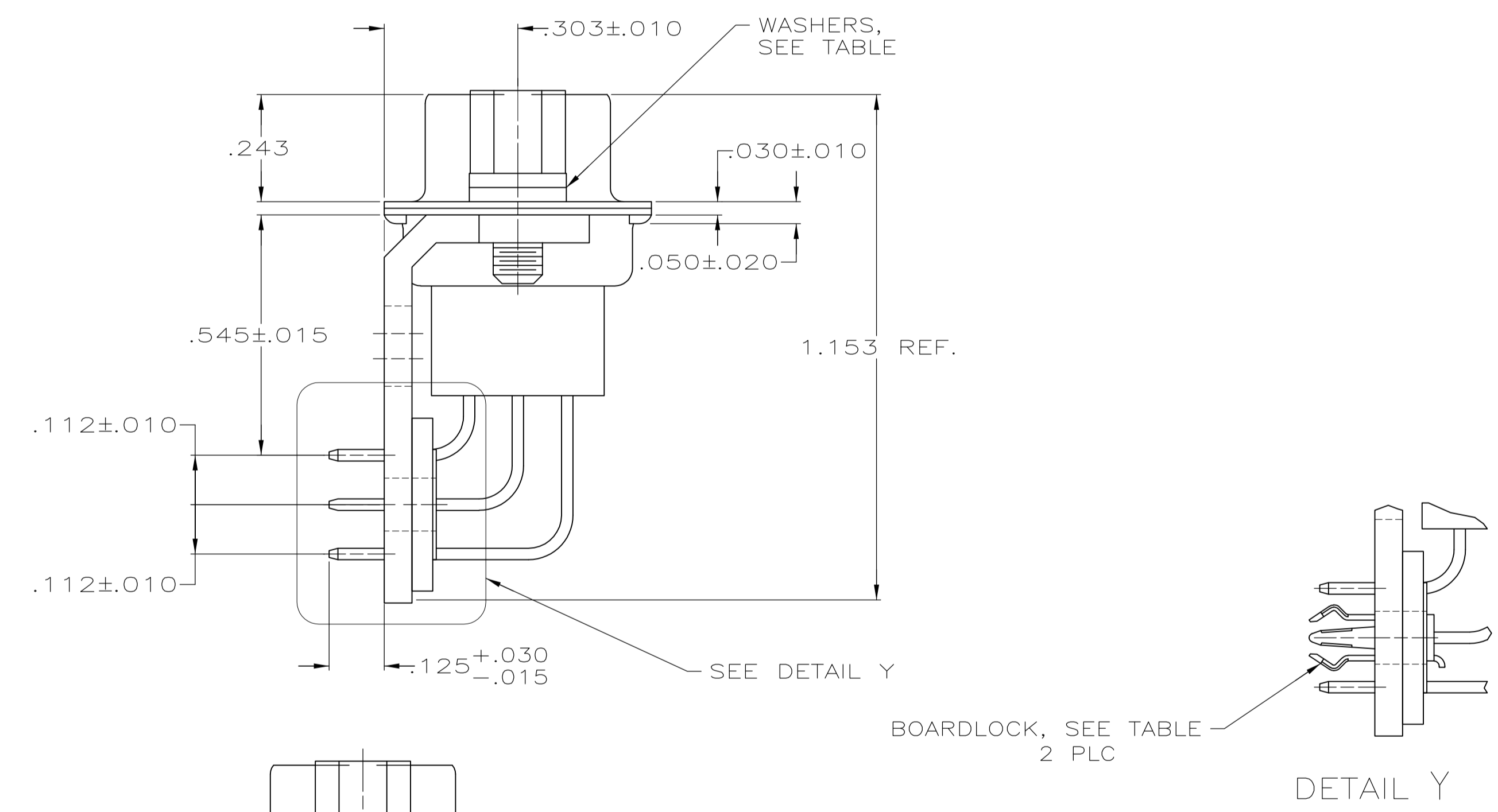
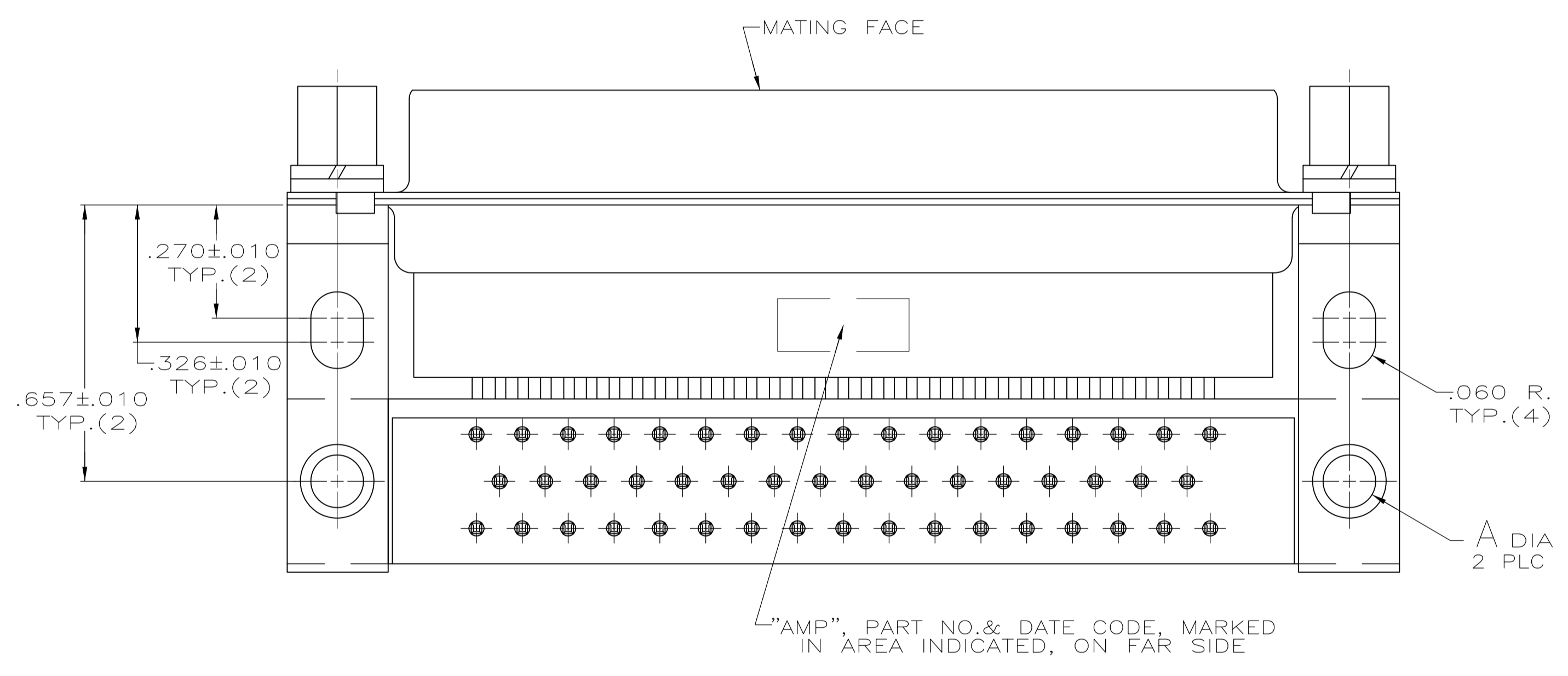


- 1 MOLDED PARTS: GLASS-FILLED PBT OR GLASS-FILLED NYLON, UL94V-0 RATED. COLOR: BLACK.  
CONTACTS: PHOSPHOR BRONZE  
SHELLS AND BRACKETS: STEEL  
SCREWLOCKS AND WASHERS: STEEL  
BOARDLOCK: BRASS
- 2 SHELLS: .000200 MIN TIN OT TIN-LEAD OVER .000100 MIN COPPER.  
BRACKETS: .000200 MIN TIN OVER .000050 MIN COPPER.  
SCREWLOCKS AND WASHERS: .000200 MIN ZINC WITH CLEAR CHROMATE COATING  
BOARDLOCK: .000150 MIN TIN-LEAD OVER .000050 MIN NICKEL.  
CONTACTS: SEE TABLE
- 3 GOLD FLASH FOR LENGTH OF .100 MIN FROM MATING END, .000100 MIN TIN-LEAD ON OPPOSITE END, BOTH OVER .000050 MIN NICKEL.
- 4 .000030 MIN GOLD FOR LENGTH OF .100 MIN FROM MATING END, .000100 MIN TIN-LEAD ON OPPOSITE END, BOTH OVER .000050 MIN NICKEL.  
-OR-  
GOLD FLASH OVER .000030 MIN PALLADIUM NICKEL FOR A LENGTH OF .100 MIN FROM MATING END, .000100 MIN TIN-LEAD ON OPPOSITE END, BOTH OVER .000050 MIN NICKEL.
- 5 ADVANCED PART NUMBER, NOT PRODUCTION TOOLED.
- 6 CONNECTOR MATES WITH ANY 50 POS. PLUG IN AMPLIMITE SERIES & COMPLIES WITH AMP SPEC. 109-40,005 WHERE APPLICABLE.



OBSOLETE	NO	YES	.125±.003	-	3	747193-5	
OBSOLETE	YES	YES	.125±.003	-	3	747193-4	
	YES	NO	.120	.120	4	5	747193-3
	YES	NO	.120	.120	4	747193-2	
	YES	NO	.120	.120	3	747193-1	
WASHERS	BOARDLOCK	B	A	CONTACT FINISH	PART NUMBER		

THIS DRAWING IS A CONTROLLED DOCUMENT.

DIMENSIONS: INCHES	TOLERANCES UNLESS OTHERWISE SPECIFIED:	DIN J.GERACE 8-27-84	NAME
0 PLC ± -	1 PLC ± -	CJK J.GERACE 8-27-84	RECEPTACLE ASSEMBLY, SIZE 5, 50 POS., RIGHT ANGLE, .545 SERIES, .025 SQ. POSTS, W/ SCREWLOCKS, AMPLIMITE HDP
2 PLC ± -	3 PLC ± -	APVD	SIZE CAGE CODE DRAWING NO
4 PLC ± -	ANGLES ± °		WEIGHT
MATERIAL	FINISH		A1 00779 C=747193
		CUSTOMER DRAWING	SCALE SHEET 1 OF 1 REV K

## X-ON Electronics

Largest Supplier of Electrical and Electronic Components

*Click to view similar products for [D-Sub Standard Connectors](#) category:*

*Click to view products by [TE Connectivity](#) manufacturer:*

Other Similar products are found below :

[DCM37S732N](#) [DAM15P500](#) [DEV09S364GTLF](#) [DEM09P032N](#) [DDM50P732N](#) [DAM15S332N](#) [173109-2218](#) [173109-2466](#) [173109-2469](#)  
[173109-2435](#) [56F706-005-LI](#) [56F711-015](#) [015-0341-000](#) [017041-0005](#) [012-9507-114](#) [012-9534-001](#) [609-25P](#) [M24308/2-23Z](#) [M243082310F](#)  
[M24308/2-36Z](#) [M243082411F](#) [M24308315F](#) [M24308/4-21](#) [M243084437F](#) [CT0M22-23SS](#) [CT1N36-5SC](#) [CT2-16S-17PS](#) [CT2-20-15PCAU](#)  
[CT2-24-12PS](#) [CT2-24-28PSF127A206](#) [CT6F9767-14-4-14S-5PC](#) [CT7-18-10SC](#) [CT7-18-10SCAU](#) [CT7-18-12SCAU](#) [CT7-18-1PC](#) [CT7-18-](#)  
[1PCAU](#) [CT7-18-1SC](#) [CT7-18-21SCAU](#) [CT9-16-12PS](#) [M83513/01-FC](#) [M83723/76W24619 L/C](#) [M85049/48-3-2F](#) [69001-865](#)  
[6STD09PCM99B70X](#) [6STD09SCM99B30X](#) [6STD09SCT99S40X](#) [6STD15PCT99S40X](#) [6STD15SCM99B30X](#) [6STD15SCT99S40X](#)  
[6STF09PCM05B70X](#)