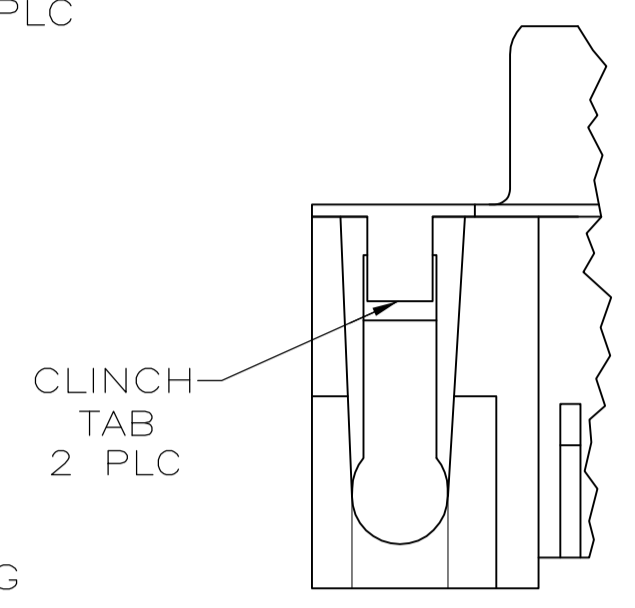
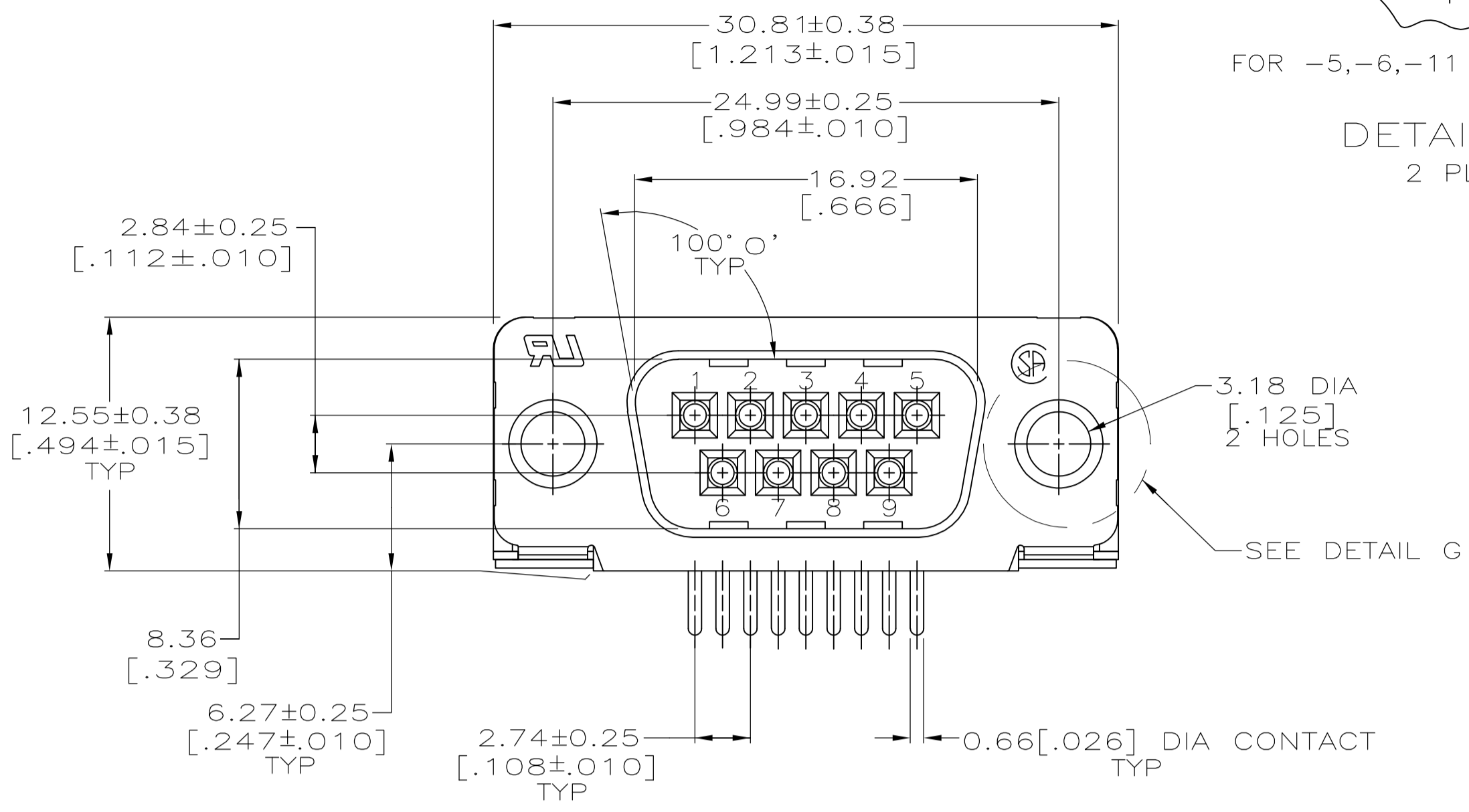


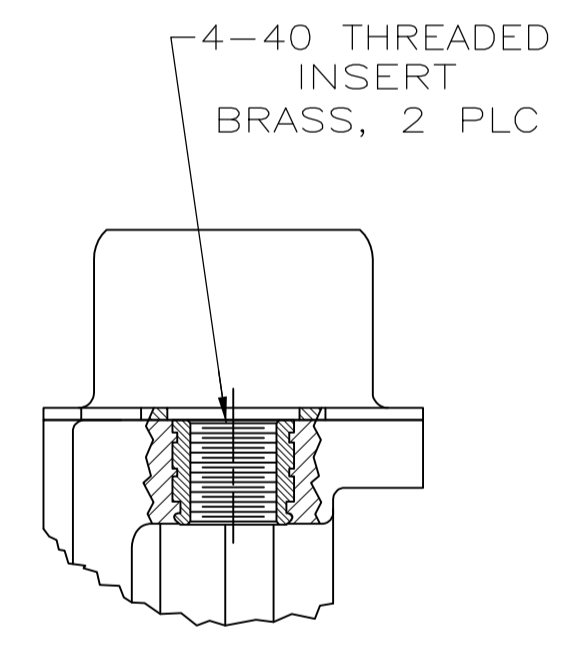
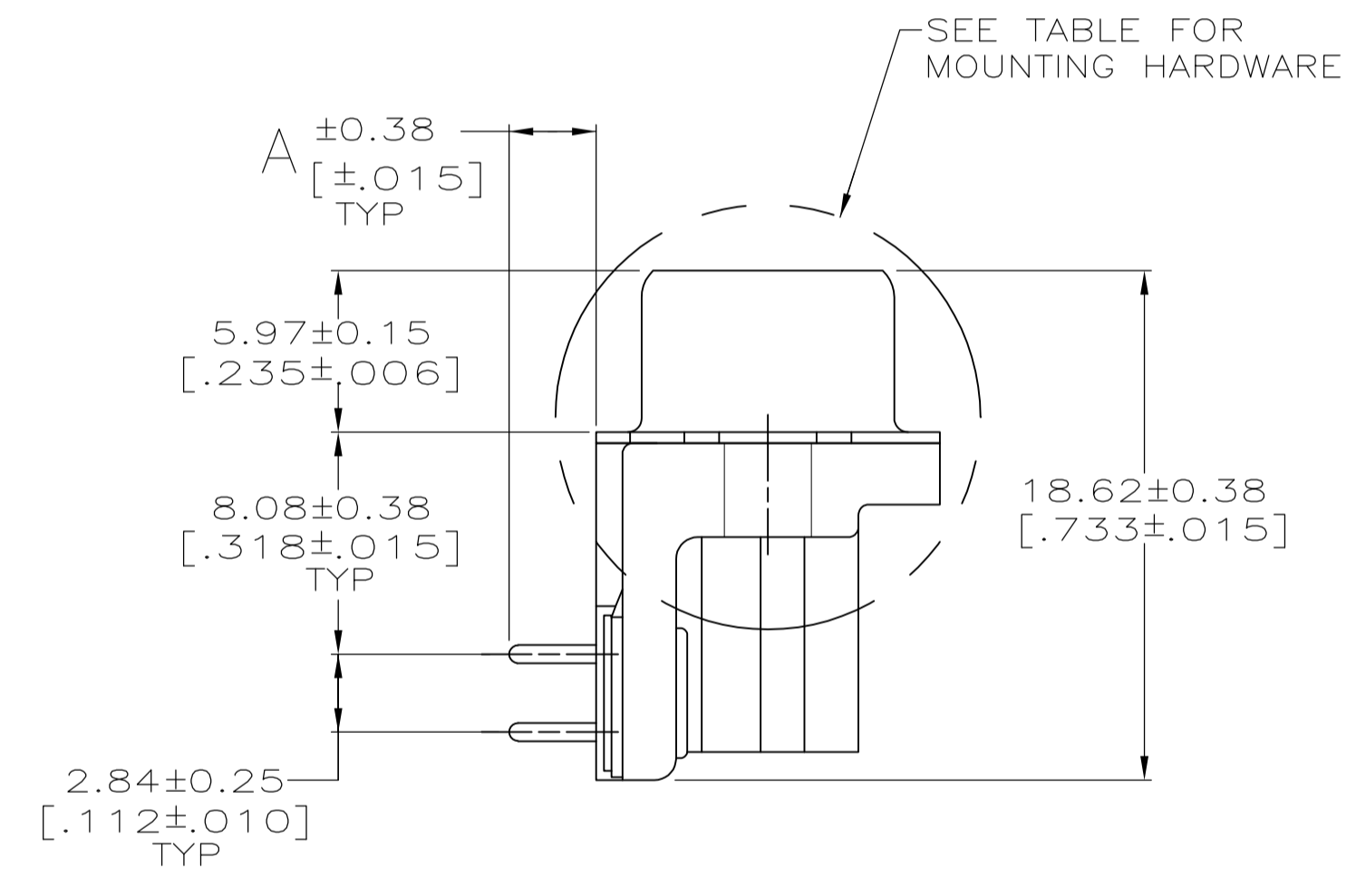
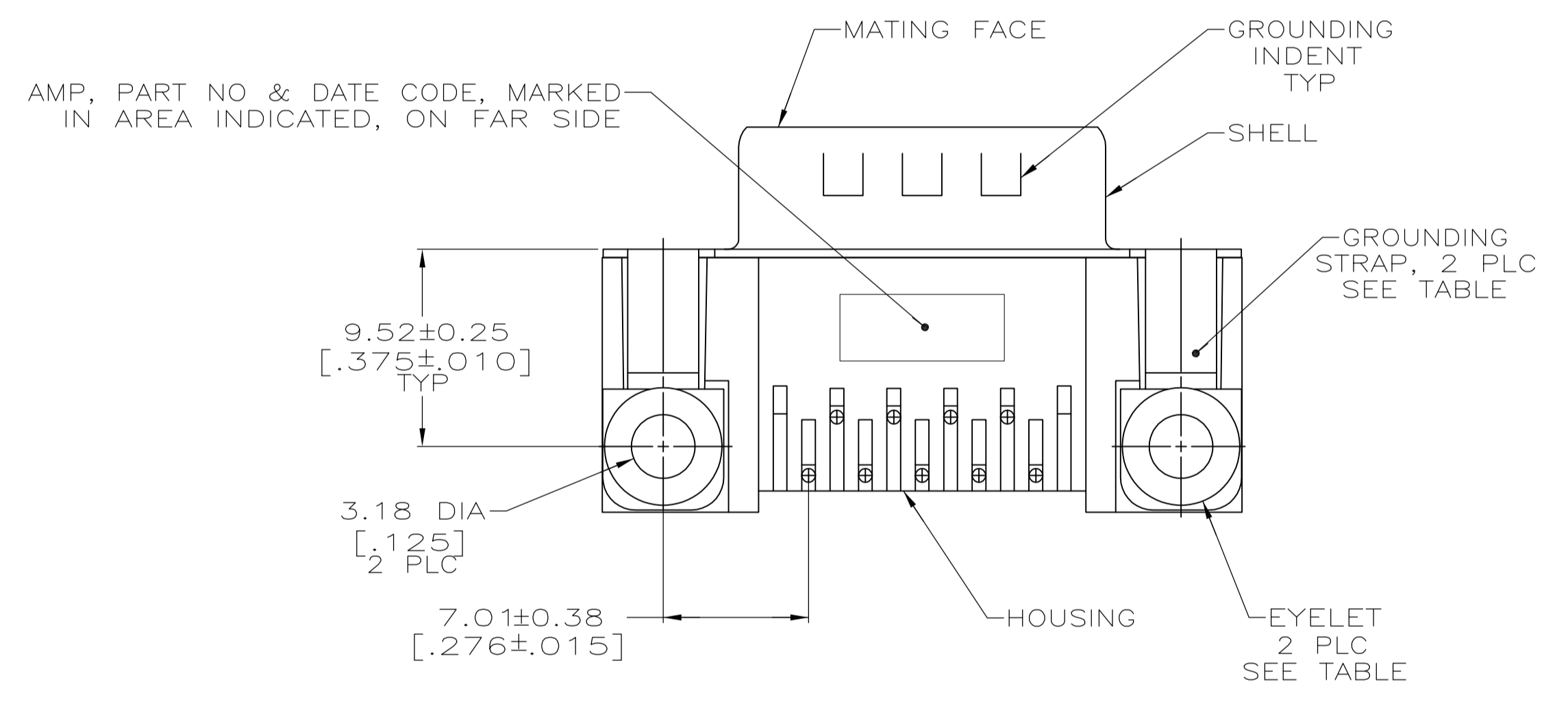
FOR -5, -6, -11 & -12 ONLY

DETAIL G  
2 PLC

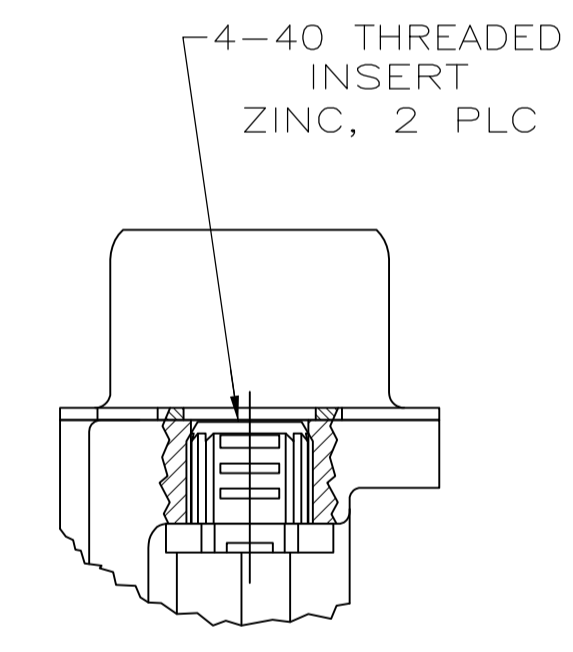


DETAIL B

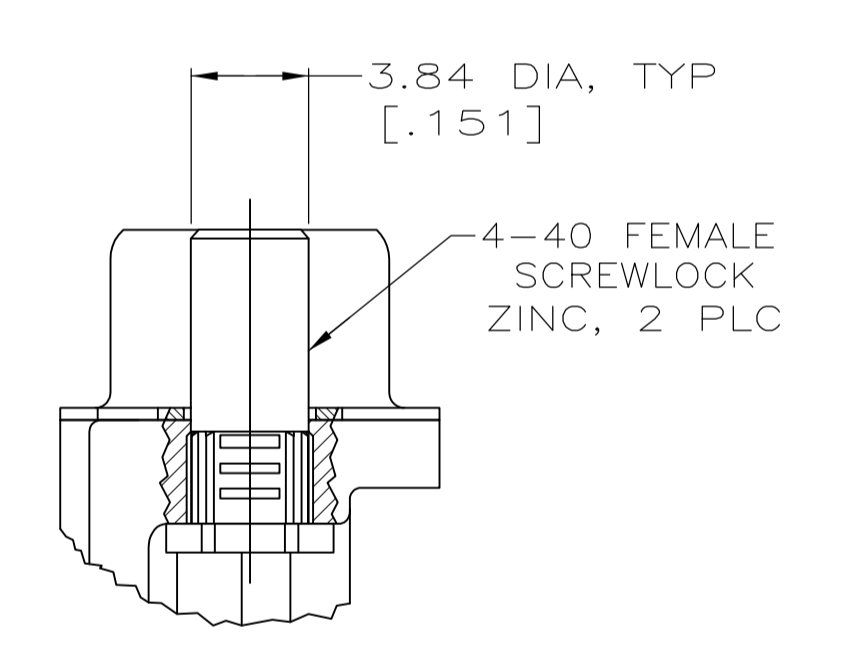
- △ HOUSING: BLACK NYLON OR POLYESTER, FLAME RETARDANT, UL 94V-0 RATED, GLASS FILLED
- CONTACTS: BRASS
- SHELLS: CARBON STEEL
- EYELETS: BRASS
- △ GOLD FLASH ON THE MATING SURFACES, 2.54µm[.000100] MIN TIN OR TIN-LEAD PLATE ON THE SOLDER END, 1.27µm[.000050] MIN NICKEL UNDERPLATE ON THE ENTIRE CONTACT.
- △ 0.76µm[.000030] MIN GOLD PLATE ON THE MATING SURFACES, 2.54µm[.000100] MIN TIN OR TIN-LEAD PLATE ON THE SOLDER END, 1.27µm[.000050] MIN NICKEL UNDERPLATE ON THE ENTIRE CONTACT
- OR-
- GOLD FLASH OVER PALLADIUM-NICKEL PLATE, 0.76µm[.000030] MIN TOTAL ON THE MATING SURFACES, 2.54µm[.000100] MIN TIN OR TIN-LEAD PLATE ON THE SOLDER END, 1.27µm[.000050] MIN NICKEL UNDERPLATE ON THE ENTIRE CONTACT.
- △ SHELLS: 2.54µm[.000100] MIN TIN OVER 1.27µm[.000050] MIN COPPER
- EYELETS: 5.08µm[.000200] MIN TIN OVER COPPER FLASH
- CONTACTS: SEE TABLE
- SCREWLOCK AND INSERT: CLEAR CHROMATE
- △ THIS CONNECTOR IS COMPATIBLE WITH TYPICAL SURFACE MOUNT SOLDERING PROCESSES CONSISTING OF 418°F MAX TEMPERATURE AND 3 MINUTES MAX EXPOSURE TIME.
- △ SCREWLOCKS AND LOCKWASHERS FOR 1-747250-3 ASSEMBLY WILL BE BULK PACKED AND SHIPPED WITH ASSEMBLIES.
- △ OBSOLETE PART NUMBER.
- △ SUPERSEDED BY 747250-2.
- △ SUPERSEDED BY 747250-6.



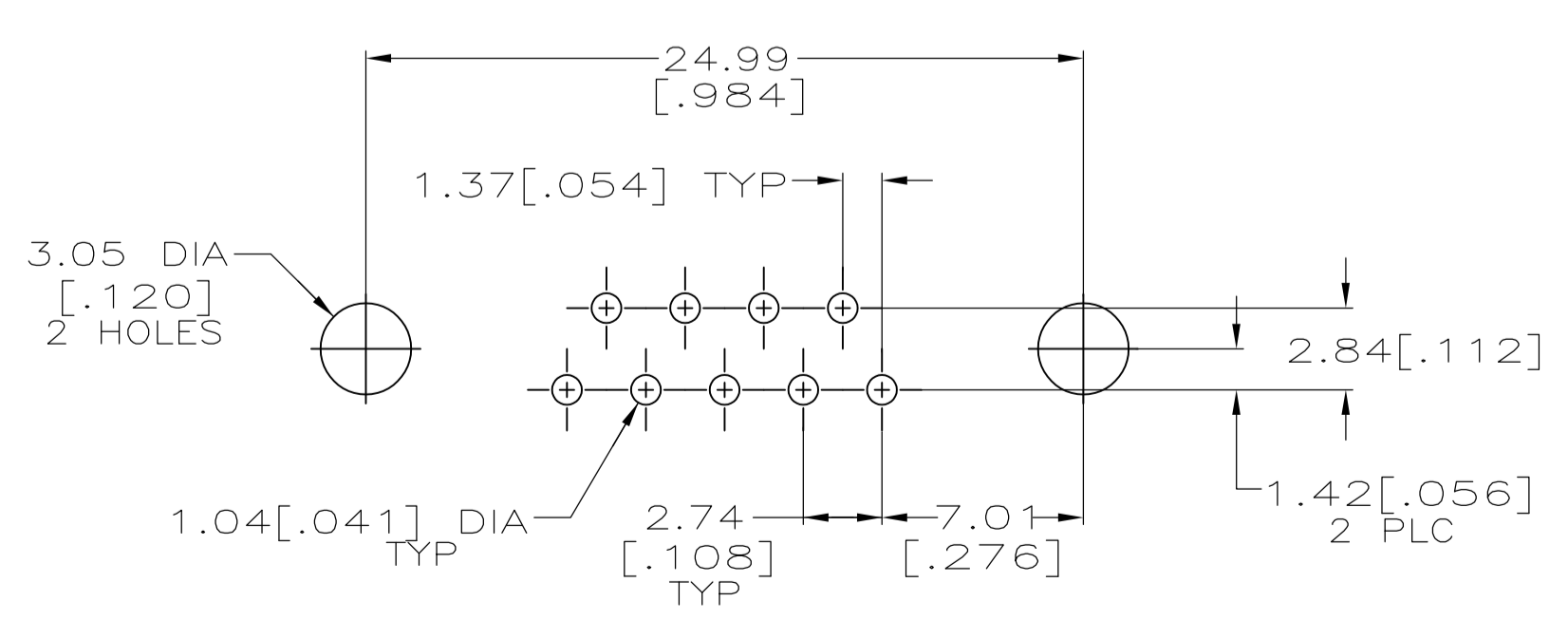
DETAIL C



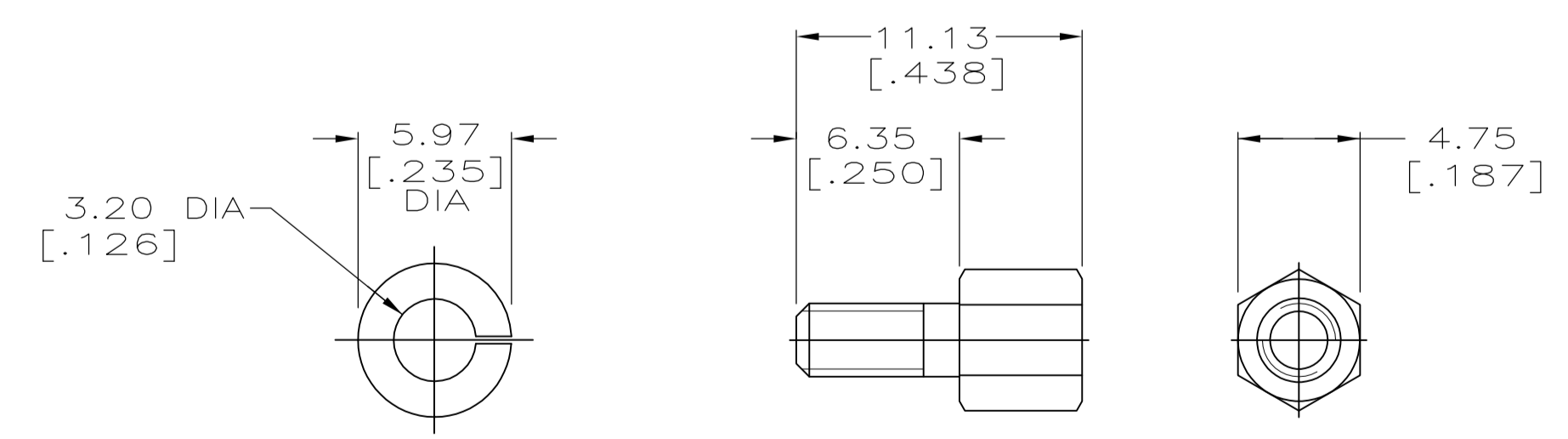
DETAIL D



DETAIL E



P.C. BOARD MOUNTING DIMENSIONS



LOCKWASHER: QTY 2 CARBON STEEL, ZINC PLATED CLEAR CHROMATE

4-40 FEMALE SCREWLOCK: QTY 2 CARBON STEEL; 3.81µm[.000150] MIN ZINC PLATED CLEAR CHROMATE

△ 6 DETAIL F

A	GROUNDING STRAPS	YES	YES	-	△ 3	△ 1-747250-5
				SEE DETAIL C	△ 3	△ 1-747250-4
				SEE DETAILS D AND F	△ 3	△ 1-747250-3
				SEE DETAIL E	△ 3	△ 1-747250-2
				SEE DETAIL D	△ 2	△ 1-747250-1
				-	△ 3	△ 1-747250-0
				-	△ 2	△ 747250-9
				-	△ 3	△ 747250-8
				-	△ 2	△ 747250-7
				-	△ 3	△ 747250-6
A	EYELETS	NO	NO	SEE DETAIL D	△ 3	△ 1-747250-0
				-	△ 3	△ 747250-9
				-	△ 2	△ 747250-8
				-	△ 2	△ 747250-7
				SEE DETAIL E	△ 3	△ 747250-6
				SEE DETAIL D	△ 2	△ 747250-5
				-	△ 3	△ 747250-4
				-	△ 2	△ 747250-3
				-	△ 3	△ 747250-2
				-	△ 2	△ 747250-1
A	MOUNTING HARDWARE	YES	YES	-	△ 2	△ 747250-1
				-	△ 2	△ 747250-1

THIS DRAWING IS A CONTROLLED DOCUMENT. DIMENSIONING AND TOLERANCING PER ASME Y14.5M-2009

W.G. LENKER 05 OCT 89  
R. STONE 06 FEB 90  
M.D. GALLOWAY 06 FEB 90

STE TE Connectivity

PLUG ASSEMBLY, SIZE 1, 9 POSITION, RIGHT ANGLE, FRONT METAL SHELL, .318 SERIES, AMPLIMITE® HD-20

DIMENSIONS: mm [INCHES]	TOLERANCES UNLESS OTHERWISE SPECIFIED:	SIZE	CAGE CODE	DRAWING NO	RESTRICTED TO
0 PLC ± -	± -	A1	00779	747250	-
1 PLC ± -	± -				
2 PLC ± -	± 0.13[.005]				
3 PLC ± -	± -				
4 PLC ± -	± -				
ANGLES ± -	± -				

CUSTOMER DRAWING SCALE 4:1 SHEET 1 OF 1 REV W

## X-ON Electronics

Largest Supplier of Electrical and Electronic Components

*Click to view similar products for [D-Sub Standard Connectors](#) category:*

*Click to view products by [TE Connectivity](#) manufacturer:*

Other Similar products are found below :

[DCM37S732N](#) [DAM15P500](#) [DEV09S364GTLF](#) [DEM09P032N](#) [DDM50P732N](#) [DAM15S332N](#) [173109-2218](#) [173109-2466](#) [173109-2469](#)  
[173109-2435](#) [56F706-005-LI](#) [56F711-015](#) [015-0341-000](#) [017041-0005](#) [012-9507-114](#) [012-9534-001](#) [609-25P](#) [M24308/2-23Z](#) [M243082310F](#)  
[M24308/2-36Z](#) [M243082411F](#) [M24308315F](#) [M24308/4-21](#) [M243084437F](#) [CT0M22-23SS](#) [CT1N36-5SC](#) [CT2-16S-17PS](#) [CT2-20-15PCAU](#)  
[CT2-24-12PS](#) [CT2-24-28PSF127A206](#) [CT6F9767-14-4-14S-5PC](#) [CT7-18-10SC](#) [CT7-18-10SCAU](#) [CT7-18-12SCAU](#) [CT7-18-1PC](#) [CT7-18-](#)  
[1PCAU](#) [CT7-18-1SC](#) [CT7-18-21SCAU](#) [CT9-16-12PS](#) [M83513/01-FC](#) [M83723/76W24619 L/C](#) [M85049/48-3-2F](#) [69001-865](#)  
[6STD09PCM99B70X](#) [6STD09SCM99B30X](#) [6STD09SCT99S40X](#) [6STD15PCT99S40X](#) [6STD15SCM99B30X](#) [6STD15SCT99S40X](#)  
[6STF09PCM05B70X](#)