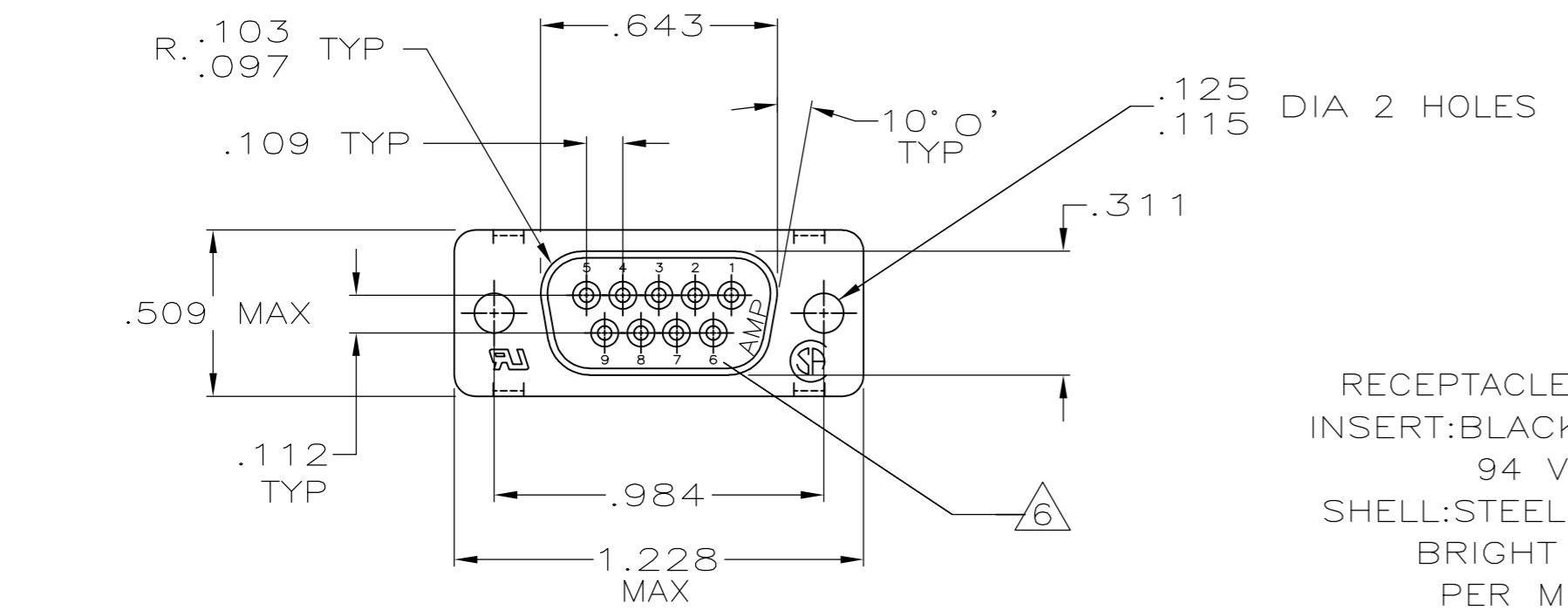
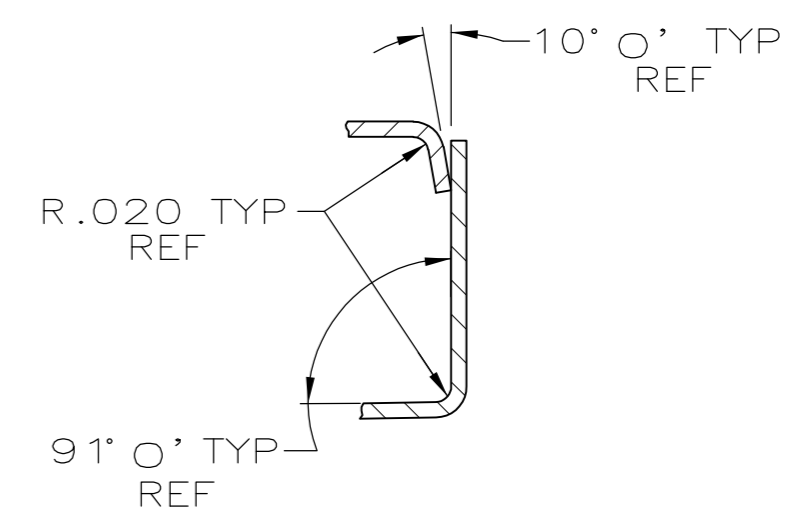


THIS DRAWING IS UNPUBLISHED. RELEASED FOR PUBLICATION
 © COPYRIGHT - By - ALL RIGHTS RESERVED.

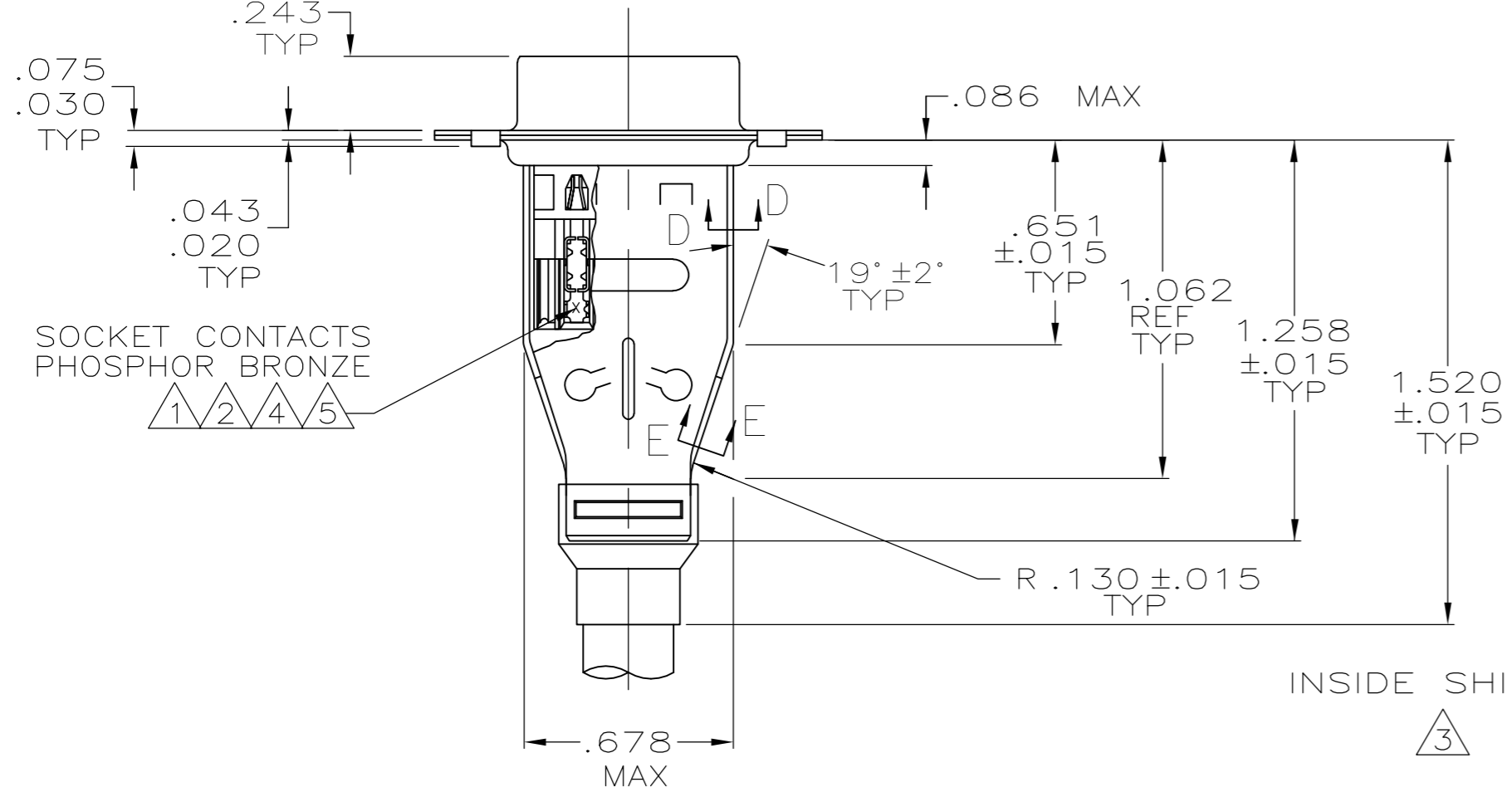
LOC		DIST		REVISIONS			
P	LTR	DESCRIPTION		DATE	DWN	APVD	
GP	00	G5	REVISED PER ECO-11-004835	11MAR11	RK	HMR	



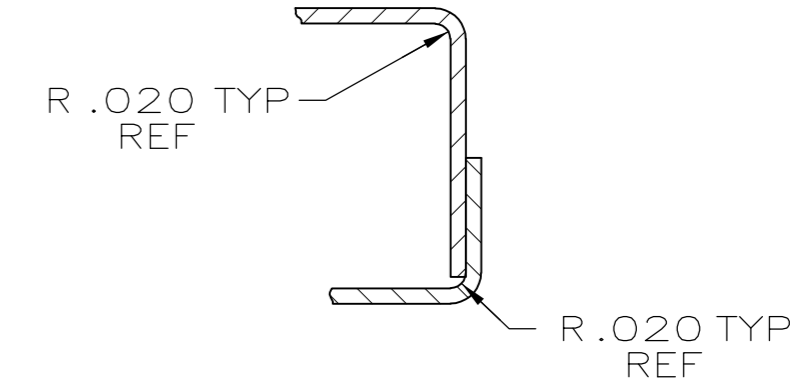
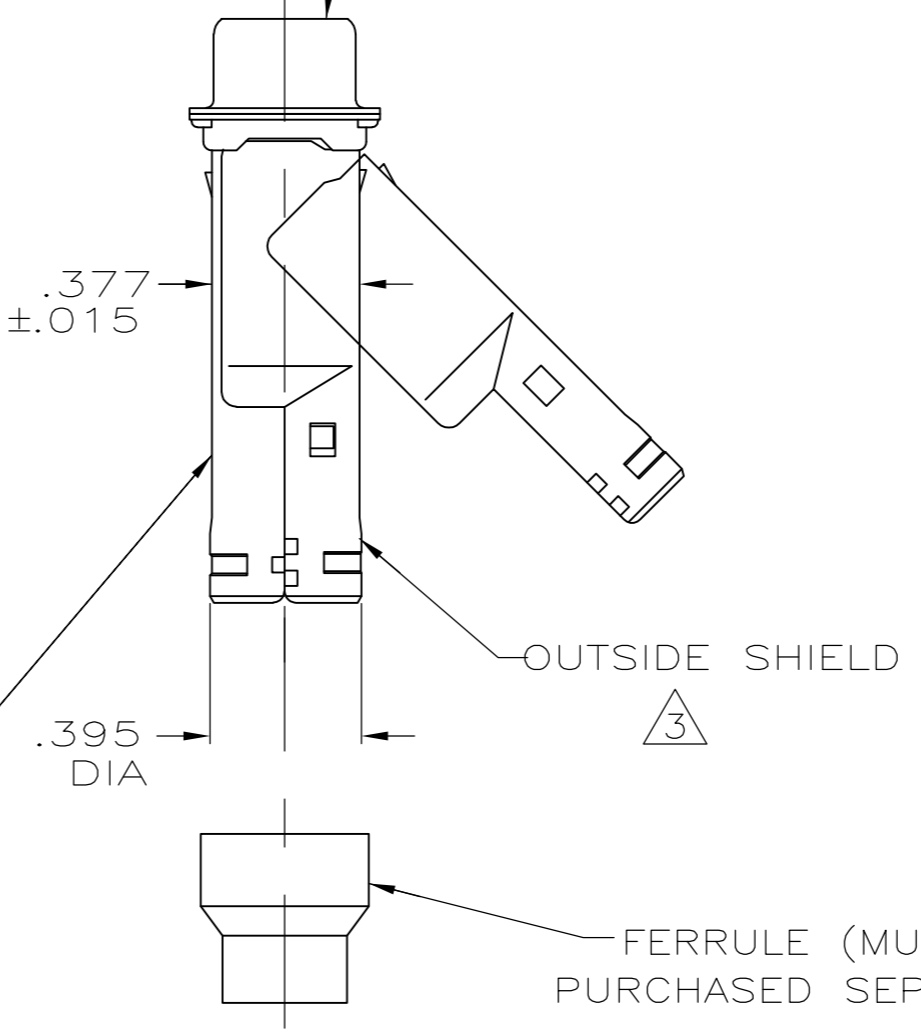
RECEPTACLE CONNECTOR ¹
 INSERT:BLACK THERMOPLASTIC
 94 V-0 RATED
 SHELL:STEEL PER ASTM A109
 BRIGHT TIN PLATED
 PER MIL-T-10727



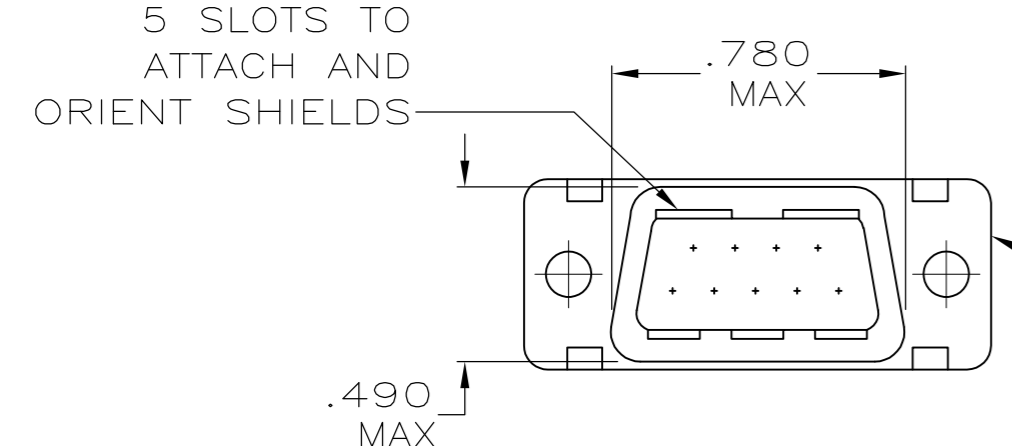
SECTION D-D



SOCKET CONTACTS
 PHOSPHOR BRONZE



SECTION E-E



- ¹ RECEPTACLE CONNECTOR FULLY LOADED WITH CONTACTS. ALL OTHER PARTS SHIPPED UNASSEMBLED (EACH PART INDIVIDUALLY BULK PACKED).
- ² NUMBER ON CONTACT INDICATES WIRE RANGE.
- ³ SHIELDS: MATERIAL-.020 THICK STEEL, TIN PLATED.
- ⁴ CONTACTS PLATED .000030 GOLD ON MATING END FOR .100 MIN LENGTH. .000100-.000200 BRIGHT TIN OR BRIGHT TIN-LEAD IN WIRE TERMINATION AREA. .000050 NICKEL UNDERPLATE ON ENTIRE CONTACT.
- ⁵ CONTACTS PLATED WITH GOLD FLASH ON MATING END FOR .100 MIN LENGTH. .000100-.000200 BRIGHT TIN OR BRIGHT TIN-LEAD IN WIRE TERMINATION AREA. .000030 NICKEL UNDERPLATE ON ENTIRE CONTACT.
- ⁶ RAISED CAVITY IDENTIFICATION AND AMP TRADEMARK.
- ⁷ CONTACTS PLATED .000030 GOLD ON MATING END FOR .100 MIN LENGTH. .000100-.000200 MATTE TIN IN WIRE TERMINATION AREA. .000050 NICKEL UNDERPLATE ON ENTIRE CONTACT.
- ⁸ CONTACTS PLATED WITH GOLD FLASH ON MATING END FOR .100 MIN LENGTH. .000100-.000200 MATTE TIN IN WIRE TERMINATION AREA. .000030 MIN NICKEL UNDERPLATE ON ENTIRE CONTACT.
- ⁹ OBSOLETE PARTS: OBSOLETE CIS STREAMLINING PER D.RENAUD/D.SINISI

CONTACT FINISH	WIRE RANGE	PART NUMBER
⁸	#22-26	747516-9
⁹ OBSOLETE	#20-22	747516-8
⁷	#22-26	747516-7
OBSOLETE	#20-22	747516-6
SUPERSEDED	#22-26	747516-5
OBSOLETE	#26-30	747516-4
SUPERSEDED	#20-22	747516-3
SUPERSEDED	#22-26	747516-2
SUPERSEDED BY 747943-1	#26-30	747516-1

THIS DRAWING IS A CONTROLLED DOCUMENT.

DWN L. VARELA - DOCK5 11-16-04
 CHK J. GERACE 11-16-04
 APVD M. WALMSLEY 11-16-04

TE Connectivity

NAME: KIT, RCPT, SHIELDING HARDWARE, SIZE 1, 9 POSN, HDE-20, AMPLIMITE

PRODUCT SPEC: 108-40030
 APPLICATION SPEC: 114-40002

SIZE: A2 CAGE CODE: 00779 DRAWING NO: 747516 RESTRICTED TO: -

MATERIAL: SEE CALL OUT FINISH: SEE CALL OUT WEIGHT: - SCALE: 2:1 SHEET: 1 of 1 REV: G5

CUSTOMER DRAWING

X-ON Electronics

Largest Supplier of Electrical and Electronic Components

Click to view similar products for [D-Sub Standard Connectors](#) category:

Click to view products by [TE Connectivity](#) manufacturer:

Other Similar products are found below :

[DCM37S732N](#) [DAM15P500](#) [DEV09S364GTLF](#) [DEM09P032N](#) [DDM50P732N](#) [DAM15S332N](#) [173109-2218](#) [173109-2466](#) [173109-2469](#)
[173109-2435](#) [56F706-005-LI](#) [56F711-015](#) [015-0341-000](#) [017041-0005](#) [012-9507-114](#) [012-9534-001](#) [609-25P](#) [M24308/2-23Z](#) [M243082310F](#)
[M24308/2-36Z](#) [M243082411F](#) [M24308315F](#) [M24308/4-21](#) [M243084437F](#) [CT0M22-23SS](#) [CT1N36-5SC](#) [CT2-16S-17PS](#) [CT2-20-15PCAU](#)
[CT2-24-12PS](#) [CT2-24-28PSF127A206](#) [CT6F9767-14-4-14S-5PC](#) [CT7-18-10SC](#) [CT7-18-10SCAU](#) [CT7-18-12SCAU](#) [CT7-18-1PC](#) [CT7-18-](#)
[1PCAU](#) [CT7-18-1SC](#) [CT7-18-21SCAU](#) [CT9-16-12PS](#) [M83513/01-FC](#) [M83723/76W24619 L/C](#) [M85049/48-3-2F](#) [69001-865](#)
[6STD09PCM99B70X](#) [6STD09SCM99B30X](#) [6STD09SCT99S40X](#) [6STD15PCT99S40X](#) [6STD15SCM99B30X](#) [6STD15SCT99S40X](#)
[6STF09PCM05B70X](#)