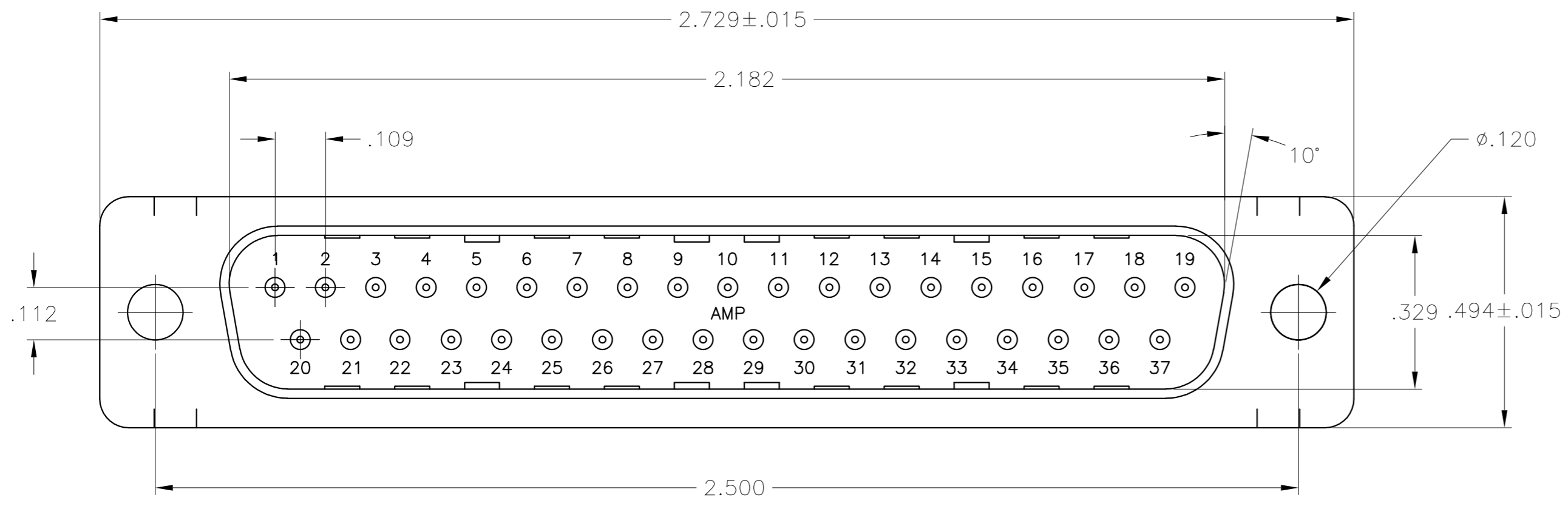


THIS DRAWING IS UNPUBLISHED. RELEASED FOR PUBLICATION  
 © COPYRIGHT BY TYCO ELECTRONICS CORPORATION. ALL INTERNATIONAL RIGHTS RESERVED.

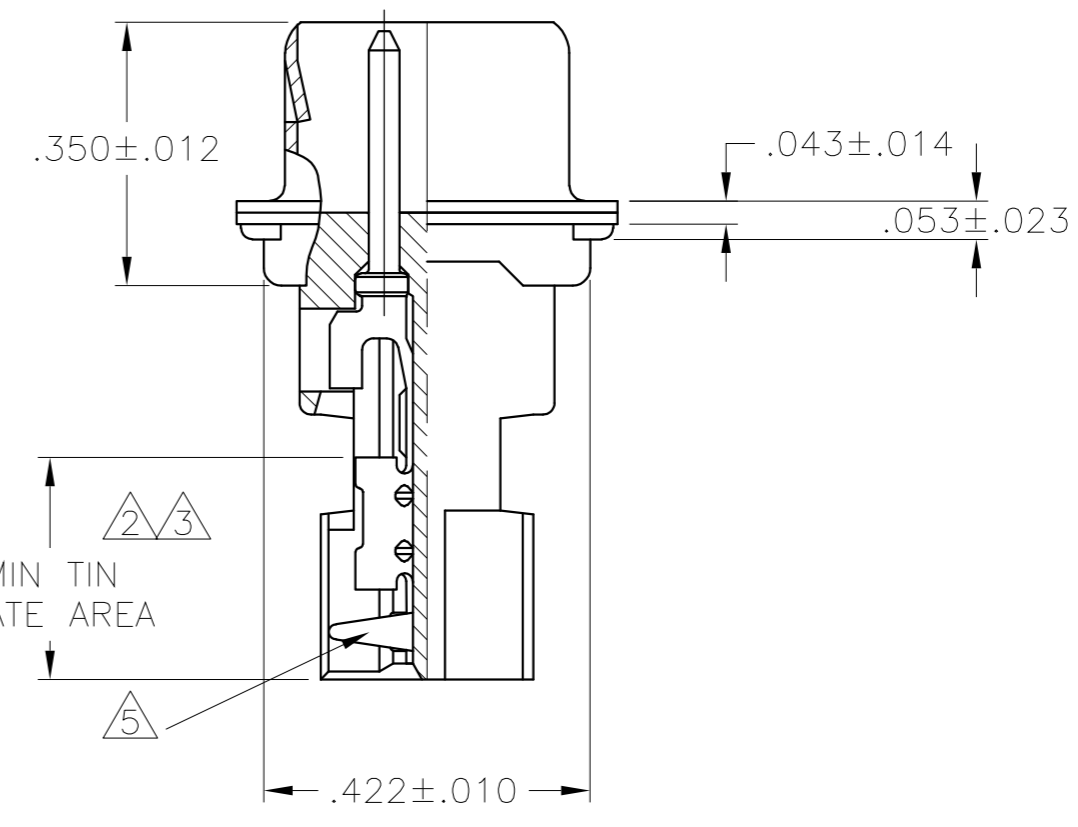
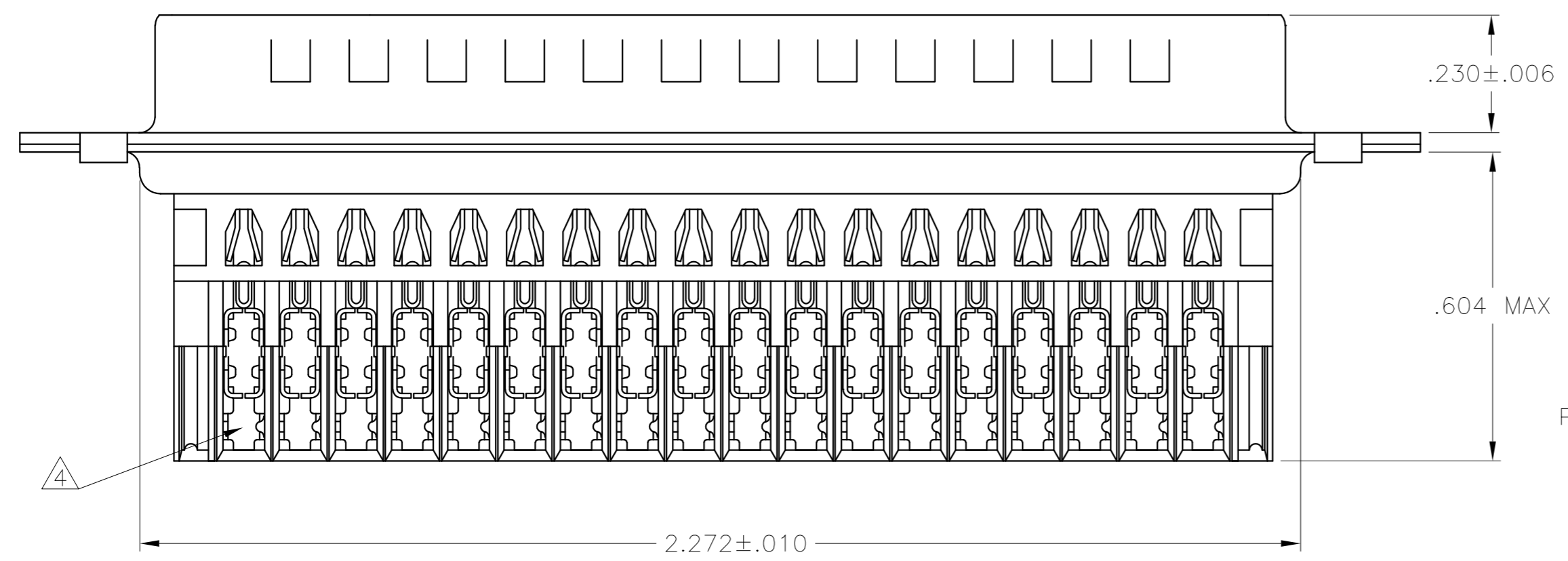
LOC	DIST	REVISIONS					
GP	00	P	LTR	DESCRIPTION	DATE	DWN	APVD
		C		REVISED PER ECO-08-016984	10JUL08	JDP	CWR



△ SHELLS: .000200 MIN TIN OVER  
 .000100 MIN COPPER.  
 CONTACTS: GOLD PLATED FOR A LENGTH OF .150 MIN FROM MATING END,  
 .000030 MIN GOLD IN MATED AREA,  
 .000100-.000200 MATTE TIN IN AREA SHOWN, ALL OVER  
 .000050 MIN NICKEL UNDERPLATE ON ENTIRE CONTACT.

OR  
 CONTACTS: GOLD PLATED FOR A LENGTH OF .150 MIN FROM MATING END,  
 GOLD FLASH OVER  
 PALLADIUM-NICKEL, .000030 MIN TOTAL IN MATED AREA,  
 .000100-.000200 MATTE TIN IN AREA SHOWN, ALL OVER  
 .000050 MIN NICKEL UNDERPLATE ON ENTIRE CONTACT.

△ NUMBER ON CONTACT INDICATES WIRE RANGE.  
 △ CONTACT INSULATION RANGE IS .060 MAX OD, WIRE RANGE IS #22-26.



△ INSERT: THERMOPLASTIC, 94V-0 RATED, COLOR BLACK.  
 SHELLS: STEEL PER ASTM A109.  
 CONTACTS: PHOS BRONZE PER QQ-B-750.

△ SHELLS: .000200 MIN BRIGHT TIN OR BRIGHT TIN-LEAD OVER .000100 MIN COPPER.  
 CONTACTS: GOLD PLATED FOR A LENGTH OF .150 MIN FROM MATING END,  
 .000030 MIN GOLD IN MATED AREA,  
 .000100-.000200 BRIGHT TIN OR BRIGHT TIN-LEAD IN AREA SHOWN, ALL OVER  
 .000050 MIN NICKEL UNDERPLATE ON ENTIRE CONTACT.  
 OR  
 CONTACTS: GOLD PLATED FOR A LENGTH OF .150 MIN FROM MATING END, GOLD FLASH OVER  
 .000030 MIN PALLADIUM-NICKEL IN MATED AREA,  
 .000100-.000200 BRIGHT TIN OR BRIGHT TIN-LEAD IN AREA SHOWN, ALL OVER  
 .000050 MIN NICKEL UNDERPLATE ON ENTIRE CONTACT.

	△3	747561-8
OBSOLETE	△2	747561-2
	FINISH	PART NUMBER

THIS DRAWING IS A CONTROLLED DOCUMENT.		DWN	J.GERACE	30OCT02	Tyco Electronics Corporation Harrisburg, PA 17105-3608
DIMENSIONS: INCHES		CHK	S.BOLASH	30OCT02	
TOLERANCES UNLESS OTHERWISE SPECIFIED:		APVD	M.WALMSLEY	30OCT02	
0 PLC ± - 1 PLC ± - 2 PLC ± - 3 PLC ± .005 4 PLC ± - ANGLES ± 2°		PRODUCT SPEC	108-40011	APPLICATION SPEC	
MATERIAL	SEE TABLE	WEIGHT	-	114-40002	NAME PLUG ASSEMBLY, SIZE 4, 37 POS, METAL SHELL, MASS TERMINATION, AMPLIMITE HDE-20
		CUSTOMER DRAWING	SCALE	4:1	SIZE A2
			SHEET	1 of 1	CAGE CODE 00779
			REV	C	DRAWING NO C=747561

## X-ON Electronics

Largest Supplier of Electrical and Electronic Components

*Click to view similar products for [D-Sub Standard Connectors](#) category:*

*Click to view products by [TE Connectivity](#) manufacturer:*

Other Similar products are found below :

[DCM37S732N](#) [DAM15P500](#) [DEV09S364GTLF](#) [DEM09P032N](#) [DDM50P732N](#) [DAM15S332N](#) [173109-2218](#) [173109-2466](#) [173109-2436](#)  
[173109-2435](#) [56F706-005-LI](#) [56F711-015](#) [015-0341-000](#) [015-0372-008](#) [015-8544-011](#) [017041-0005](#) [020419-0104](#) [012-0515-000](#) [012-9507-](#)  
[034](#) [012-9507-114](#) [012-9534-001](#) [020745-0008](#) [609-25P](#) [M24308/2-23Z](#) [M243082310F](#) [M243082410F](#) [M243082411F](#) [M24308/4-21](#)  
[CT1A18-11PSA206](#) [CT1N36-5SC](#) [CT2-16S-17PS](#) [CT2-20-15PCAU](#) [CT2-24-12PS](#) [CT2-24-28PSF127A206](#) [CT2-32-9PC](#) [CT6F9767-14-4-](#)  
[14S-5PC](#) [CT6FA10SL-4PS](#) [CT7-18-10SC](#) [CT7-18-10SCAU](#) [CT7-18-12SCAU](#) [CT7-18-1PC](#) [CT7-18-1PCAU](#) [CT7-18-21SCAU](#) [M83513/01-](#)  
[FC](#) [M83723/76W24619 L/C](#) [M85049/48-3-2F](#) [69001-865](#) [6STD09PCM99B70X](#) [6STD09SCM99B30X](#) [6STD09SCT99S40X](#)