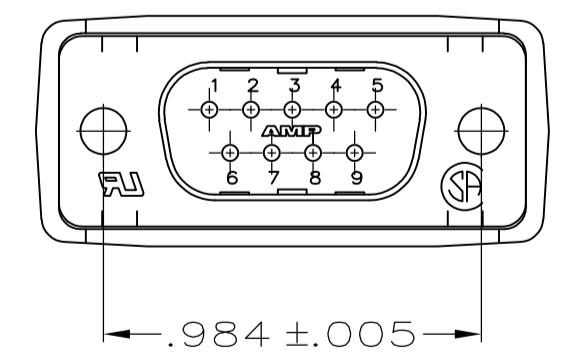
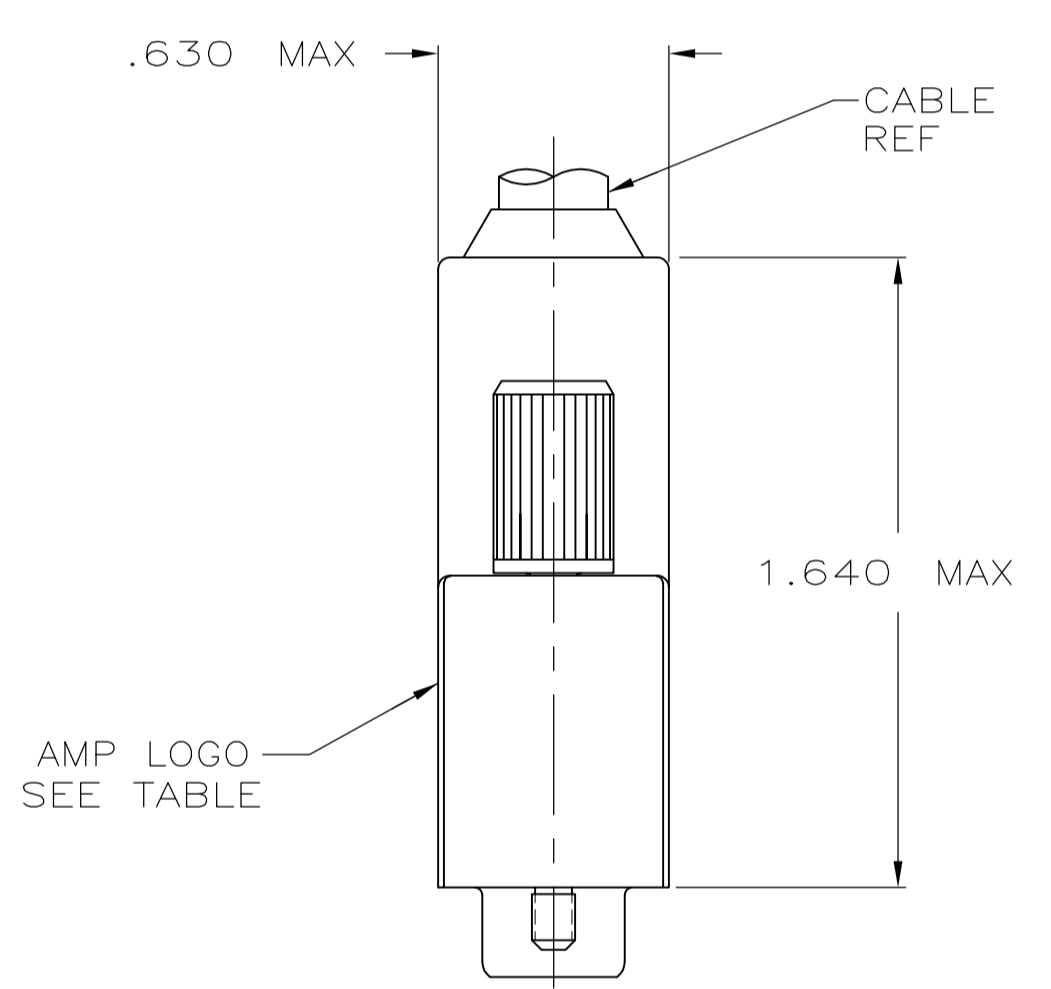
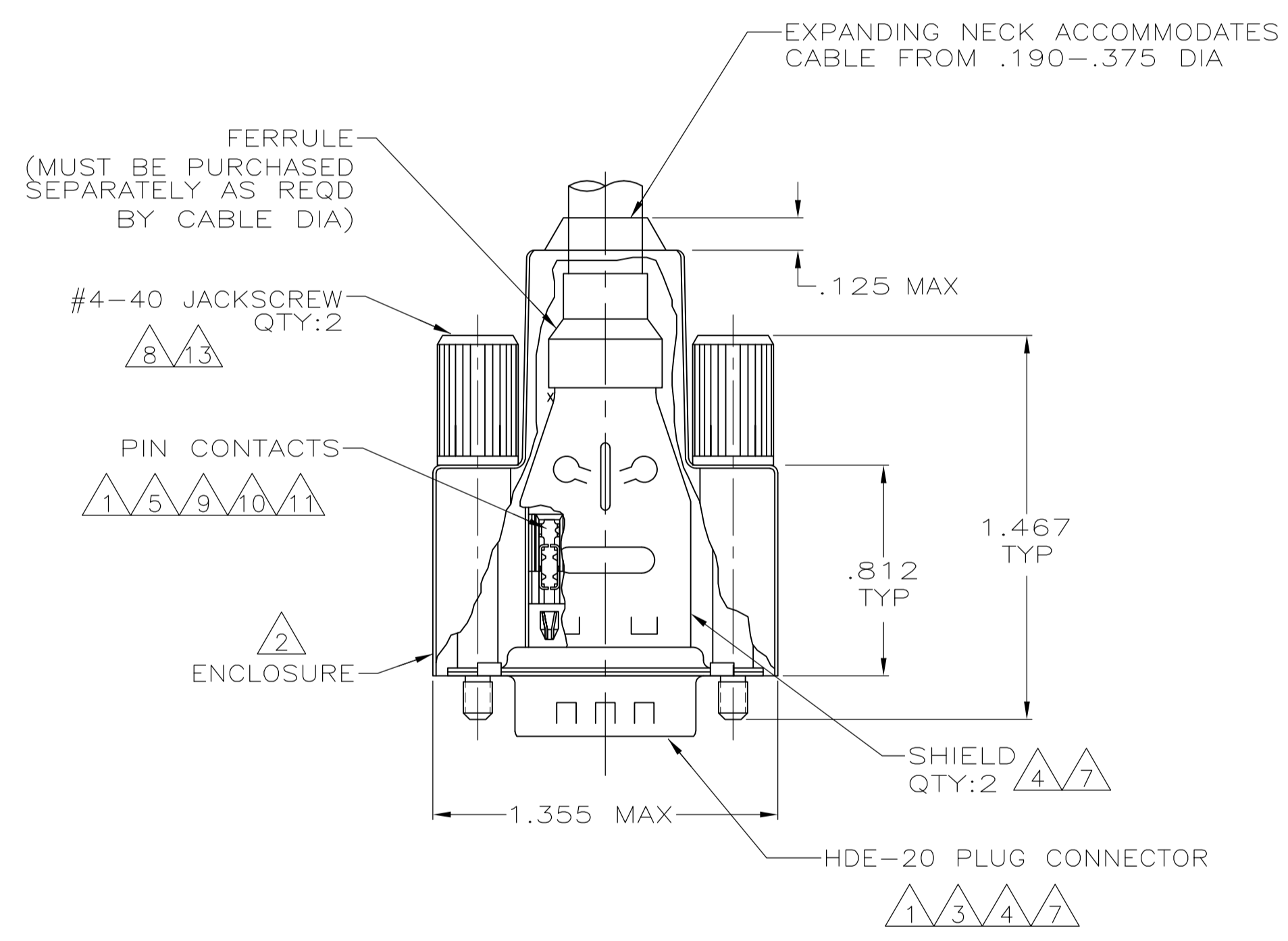


REVISIONS				
P	LTR	DESCRIPTION	DATE	APP'D
AB	REVISED PER	ECO-17-002903	20MAR2017	AP DG



- 1 PLUG CONNECTOR FULLY LOADED WITH CONTACTS. ALL OTHER PARTS ARE SHIPPED UNASSEMBLED. EACH PART INDIVIDUALLY BULK PACKED.
- 2 FLAME RETARDANT 94V-0 RATED, POLYOLEFIN OR PVC, BLACK.
- 3 FLAME RETARDANT 94V-0 RATED, GLASS-FILLED, NYLON OR POLYESTER, BLACK.
- 4 STEEL PER ASTM A109.
- 5 PHOSPHOR BRONZE PER QQ-B-750.
- 6 GOLD PLATING PER MIL-G-45204, NICKEL PLATING PER QQ-N-290, TIN PLATING PER MIL-T-10727, ZINC PLATING PER B633, TYPE II, CLASS SCI, BLACK CHROMATE.
- 7 TIN PLATED.
- 8 BLACK ZINC FLAKE COATING.
- 9 GOLD PLATED FOR LENGTH OF .150 MIN FROM MATING END, GOLD FLASH IN MATED AREA. .000100-.000200 TIN OR IN TIN-LEAD IN WIRE TERMINATION AREA. .000030 NICKEL UNDERPLATE ON ENTIRE CONTACT.
- 10 CONTACTS GOLD PLATED FOR A LENGTH OF .150 MIN FROM MATING END, .000030 MIN GOLD IN MATED AREA, .000100-.000200 BRIGHT TIN OR BRIGHT TIN-LEAD IN WIRE TERMINATION AREA, ALL OVER .000050 MIN NICKEL UNDERPLATE ON ENTIRE CONTACT.  
OR  
CONTACTS GOLD PLATED FOR A LENGTH OF .150 MIN FROM MATING END, GOLD FLASH OVER .000030 MIN PALLADIUM-NICKEL IN MATED AREA, .000100-.000200 BRIGHT TIN OR BRIGHT TIN-LEAD IN WIRE TERMINATION AREA, ALL OVER .000050 MIN NICKEL UNDERPLATE ON ENTIRE CONTACT.
- 11 NUMBER ON CONTACT INDICATES WIRE RANGE.
- 12 OBSOLETE PART NUMBER.
- 13 CARBON STEEL, C1022.
- 14 CONTACTS GOLD PLATED FOR A LENGTH OF .150 MIN FROM MATING END, .000030 MIN GOLD IN MATED AREA, .000100-.000200 MATTE TIN IN WIRE TERMINATION AREA, ALL OVER .000050 MIN NICKEL UNDERPLATE ON ENTIRE CONTACT.  
OR  
CONTACTS GOLD PLATED FOR A LENGTH OF .150 MIN FROM MATING END, GOLD FLASH OVER PALLADIUM-NICKEL, .000030 MIN TOTAL IN MATED AREA, .000100-.000200 MATTE TIN IN WIRE TERMINATION AREA, ALL OVER .000050 MIN NICKEL UNDERPLATE ON ENTIRE CONTACT.
- 15 CONTACTS PLATED GOLD FLASH FOR A LENGTH OF .150 MIN FROM MATING END, .000100-.000200 MATTE TIN IN WIRE TERMINATION AREA, ALL OVER .000030 MIN NICKEL UNDERPLATE ON ENTIRE CONTACT.

CONTACT FINISH	LOGO	WIRE RANGE	PART NUMBER
			9-747944-2
15	YES	2 22-26	1-747944-6
14	YES	2 22-26	1-747944-5
9	NO	3 20-22	1-747944-2
	NO	2 22-26	1-747944-1
	NO	1 26-30	1-747944-0
10	NO	3 20-22	747944-9
	NO	2 22-26	747944-8
	NO	1 26-30	747944-7
9	YES	3 20-22	747944-6
	YES	2 22-26	747944-5
	YES	1 26-30	747944-4
10	YES	3 20-22	747944-3
	YES	2 22-26	747944-2
	YES	1 26-30	747944-1

THIS DRAWING IS A CONTROLLED DOCUMENT.

DIMENSIONS: INCHES

TOLERANCES UNLESS OTHERWISE SPECIFIED:

0 PLC	± .005
1 PLC	± .002
2 PLC	± .001
3 PLC	± .0005
4 PLC	± .0002
ANGLES	± .001

MATERIAL: 2 3 4 5 13

FINISH: 6 7 8

CONTACTS: SEE TABLE

APPROVED: M. WALSLEY

DATE: 11-17-04

NAME: M. WALSLEY

PRODUCT SPEC: 108-40011 & 108-40030

APPLICATION SPEC: 114-40002

WEIGHT: 0.000000

CUSTOMER DRAWING

SCALE: 4:1

SHEET: 1 OF 1

REV: AB

STE TE Connectivity

SHIELDING ENCLOSURE KIT, PLUG, SIZE 1, 9 POSN, AMPLIMITE HDE-20

SIZE: A1

CAGE CODE: 00779

DRAWING NO: 747944

## X-ON Electronics

Largest Supplier of Electrical and Electronic Components

*Click to view similar products for [D-Sub Standard Connectors](#) category:*

*Click to view products by [TE Connectivity](#) manufacturer:*

Other Similar products are found below :

[DCM37S732N](#) [DAM15P500](#) [DEV09S364GTLF](#) [DEM09P032N](#) [DDM50P732N](#) [DAM15S332N](#) [173109-2218](#) [173109-2466](#) [173109-2469](#)  
[173109-2435](#) [56F706-005-LI](#) [56F711-015](#) [015-0341-000](#) [017041-0005](#) [012-9507-114](#) [012-9534-001](#) [609-25P](#) [M24308/2-23Z](#) [M243082310F](#)  
[M24308/2-36Z](#) [M243082411F](#) [M24308315F](#) [M24308/4-21](#) [M243084437F](#) [CT0M22-23SS](#) [CT1N36-5SC](#) [CT2-16S-17PS](#) [CT2-20-15PCAU](#)  
[CT2-24-12PS](#) [CT2-24-28PSF127A206](#) [CT6F9767-14-4-14S-5PC](#) [CT7-18-10SC](#) [CT7-18-10SCAU](#) [CT7-18-12SCAU](#) [CT7-18-1PC](#) [CT7-18-](#)  
[1PCAU](#) [CT7-18-1SC](#) [CT7-18-21SCAU](#) [CT9-16-12PS](#) [M83513/01-FC](#) [M83723/76W24619 L/C](#) [M85049/48-3-2F](#) [69001-865](#)  
[6STD09PCM99B70X](#) [6STD09SCM99B30X](#) [6STD09SCT99S40X](#) [6STD15PCT99S40X](#) [6STD15SCM99B30X](#) [6STD15SCT99S40X](#)  
[6STF09PCM05B70X](#)