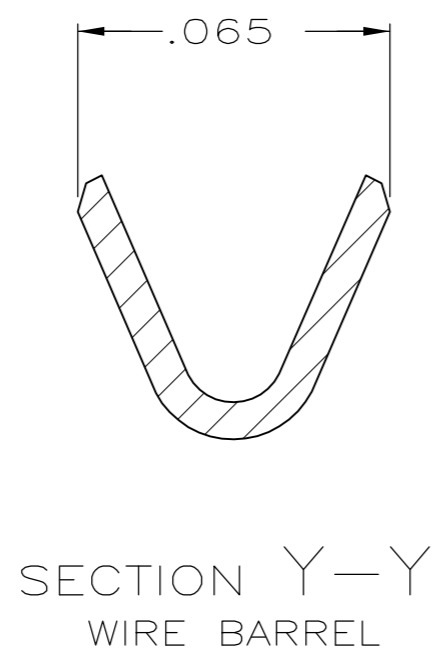
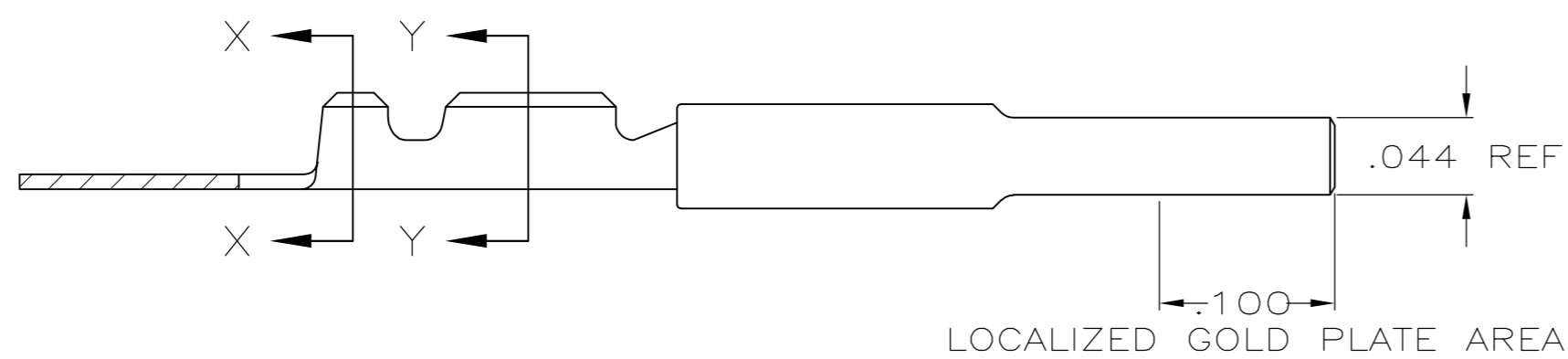
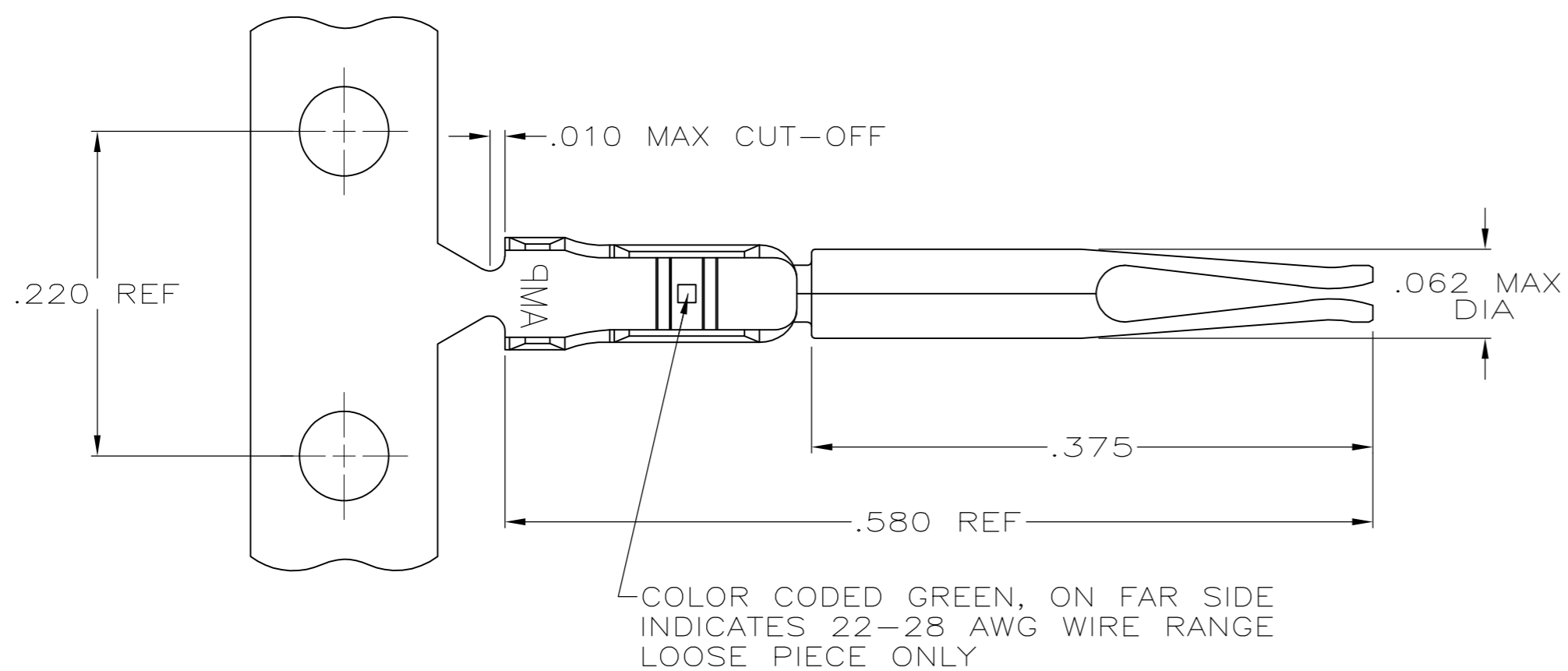


THIS DRAWING IS UNPUBLISHED. RELEASED FOR PUBLICATION
 © COPYRIGHT - By - ALL RIGHTS RESERVED.

Loc		DIST		REVISIONS			
P	LTR	DESCRIPTION		DATE	DWN	APVD	
GP	00	H1	REVISED PER ECO-11-004835		11MAR11	RK	HMR



- ① FOR MINI APPLICATOR.
- ② FOR HAND TOOL USE ONLY.
- 3. WIRE RANGE OF 22-28, INSULATION RANGE OF .030-.040.
- ④ GOLD PLATING PER MIL-G-45204, NICKEL PLATING PER QQ-N-290, TIN PLATING PER MIL-T-10727.
- ⑤ PLATED WITH .000030 GOLD IN LOCALIZED GOLD PLATE AREA, TIN PLATED WIRE BARRELS, OVER .000050 NICKEL.
- ⑥ PLATED WITH GOLD FLASH IN LOCALIZED GOLD PLATE AREA, TIN PLATED WIRE BARRELS, OVER .000030 NICKEL.
- ⑦ PLATED WITH .000050 GOLD ON INSIDE OF LOCALIZED GOLD PLATE AREA, .000050 GOLD ON REMAINDER, ALL OVER .000050 NICKEL UNDERPLATE.
- ⑧ GOLD PLATING ON THE CARRIER STRIP IS NOT REQUIRED.
- ⑨ OBSOLETE.

SMALL PACK	⑥	⑨	748610-7	⑨	1-748610-1
-	⑦	⑧	748610-9	⑨	748610-8
STANDARD	⑥	⑨	748610-7	⑨	748610-5
-	⑤	⑨	748610-4	⑨	748610-2
PACKAGING	FINISH ④	LOOSE PIECE ②	PART NUMBER ①		

DIMENSIONS: INCHES		TOLERANCES UNLESS OTHERWISE SPECIFIED:		MATERIAL		FINISH		WEIGHT		CUSTOMER DRAWING	
0 PLC	± -	1 PLC	± -	PHOS BRONZE PER	SEE TABLE	00779	-	SCALE	10:1	SHEET	1 of 1
1 PLC	± -	2 PLC	± -	QQ-B-750		A2		REV	H1		
2 PLC	± -	3 PLC	± .005								
3 PLC	± -	4 PLC	± -								
4 PLC	± -	ANGLES	± 0° 30'								

TE TE Connectivity

NAME: V.KUMAR
 PRODUCT SPEC: -
 APPLICATION SPEC: -
 SIZE: A2 CAGE CODE: 00779 DRAWING NO: C-748610 RESTRICTED TO: -

X-ON Electronics

Largest Supplier of Electrical and Electronic Components

Click to view similar products for [TE Connectivity](#) manufacturer:

Other Similar products are found below :

[D38999/24FJ4AN](#) [570416-000](#) [CLTEQ-M81CE-SSRELAY-4-20V](#) [4-1195131-0](#) [650069-000](#) [SMD100-2](#) [358838-000](#) [CB-1022B-78](#)
[RM707012](#) [RP410012](#) [MMS42](#) [1-640426-8](#) [2EDL4CM](#) [DTS20W19-11PD-3028-LC](#) [RM202615](#) [NC6-P104-06](#) [MSPS103B](#) [DTS26F21-41HE-LC](#) [DTS26F21-41AE](#) [DTS26F21-41PE-LC](#) [DTS26F21-11SE-3028-LC](#) [30DCB6](#) [1932144-1](#) [293545-4](#) [LVR125S](#) [MS27466T25F4PB](#)
[CKB-38-78010](#) [TR04AI-TINELLOCKRING](#) [1206SFF150F/63-2](#) [D38999/20JB35HA](#) [TE1500A2R2J](#) [D38999/20WC8BB](#) [DTS24F19-11SC-3028-LC](#) [D38999/24WG11HA](#) [D38999/24WG11HN](#) [MS27467T21F11H](#) [DJT16E21-11HA](#) [MS27467T21F35J](#) [MS27467T21F11J](#)
[MS27467T21F16H-LC](#) [MS27467T21F35H](#) [MS27467T21F41H-LC](#) [1206SFH150F/24-2](#) [RP330024](#) [DJT16E21-11PA-LC](#) [DJT16E21-11HA-LC](#) [DJT16E21-11AA](#) [MS27467T21B11JA](#) [DJT16E21-11JA](#) [MS27467T21B11JA-LC](#)