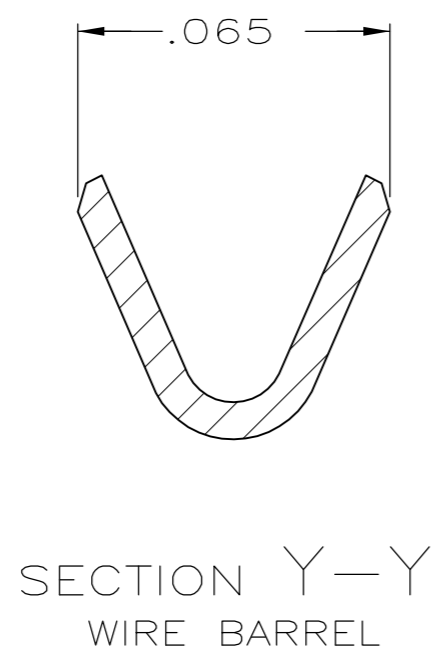
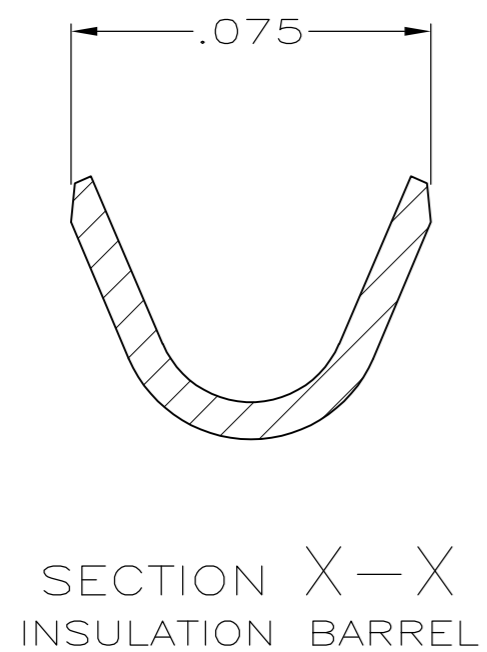
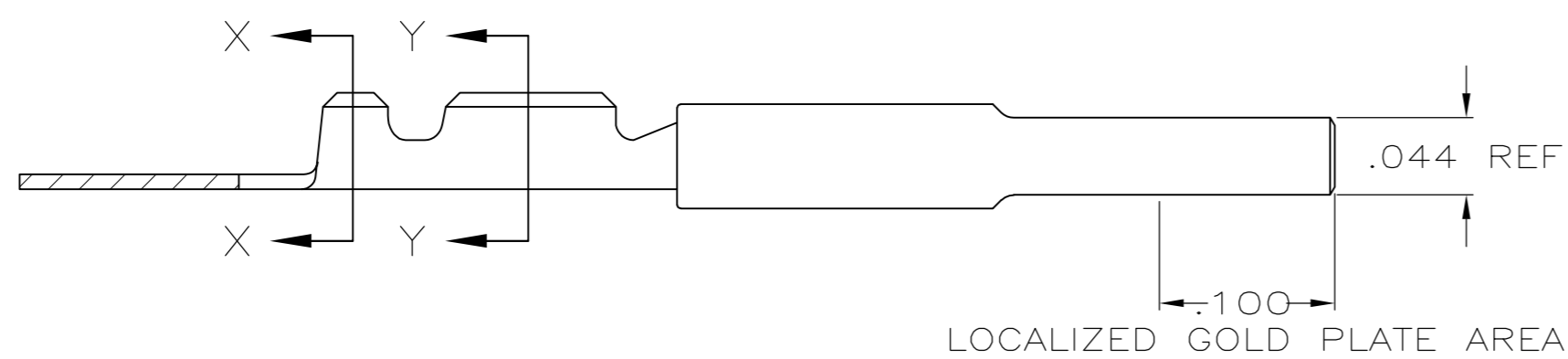
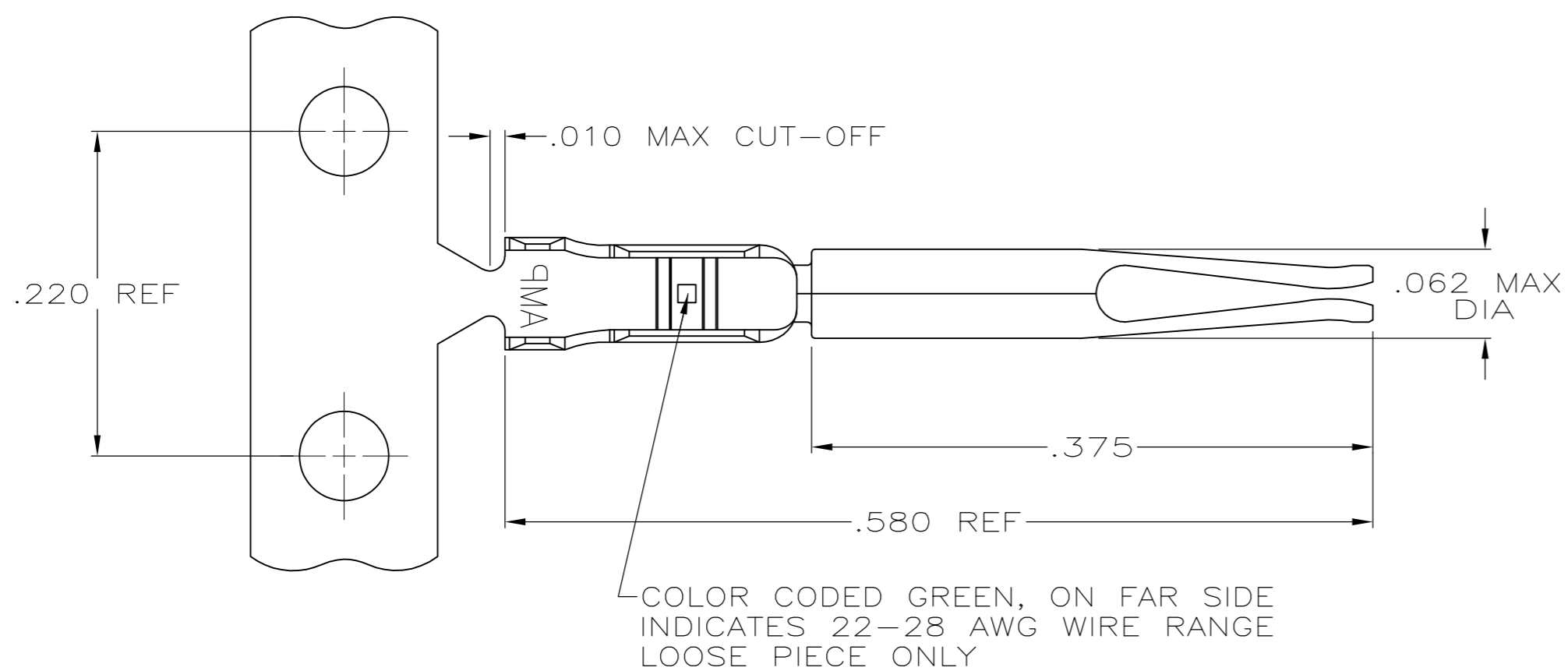


THIS DRAWING IS UNPUBLISHED. RELEASED FOR PUBLICATION
 © COPYRIGHT - By - ALL RIGHTS RESERVED.

Loc		DIST		REVISIONS			
P	LTR	DESCRIPTION		DATE	DWN	APVD	
GP	00	H1	REVISED PER ECO-11-004835		11MAR11	RK	HMR



- ① FOR MINI APPLICATOR.
- ② FOR HAND TOOL USE ONLY.
- 3. WIRE RANGE OF 22-28, INSULATION RANGE OF .030-.040.
- ④ GOLD PLATING PER MIL-G-45204, NICKEL PLATING PER QQ-N-290, TIN PLATING PER MIL-T-10727.
- ⑤ PLATED WITH .000030 GOLD IN LOCALIZED GOLD PLATE AREA, TIN PLATED WIRE BARRELS, OVER .000050 NICKEL.
- ⑥ PLATED WITH GOLD FLASH IN LOCALIZED GOLD PLATE AREA, TIN PLATED WIRE BARRELS, OVER .000030 NICKEL.
- ⑦ PLATED WITH .000050 GOLD ON INSIDE OF LOCALIZED GOLD PLATE AREA, .000050 GOLD ON REMAINDER, ALL OVER .000050 NICKEL UNDERPLATE.
- ⑧ GOLD PLATING ON THE CARRIER STRIP IS NOT REQUIRED.
- ⑨ OBSOLETE.

SMALL PACK	⑥	⑨	748610-7	⑨	1-748610-1
-	⑦	⑧	748610-9	⑨	748610-8
STANDARD	⑥	⑨	748610-7	⑨	748610-5
-	⑤	⑨	748610-4	⑨	748610-2
PACKAGING	FINISH ④	LOOSE PIECE ②	PART NUMBER ①		

THIS DRAWING IS A CONTROLLED DOCUMENT.		DWN	1-12-88	TE Connectivity	
DIMENSIONS: INCHES		CHK	1-14-88		
TOLERANCES UNLESS OTHERWISE SPECIFIED:		APVD	1-19-88		
0 PLC ± -		NAME	V.KUMAR		
1 PLC ± -		PRODUCT SPEC	-		
2 PLC ± -		APPLICATION SPEC	-	SOCKET CONTACT, SIZE 22 DF, 22-28 AWG, W/.030-.040 DIA INSULATION SUPPORT	
3 PLC ± .005		SIZE	A2	CAGE CODE	00779
4 PLC ± -		WEIGHT	-	DRAWING NO	C-748610
ANGLES ± 0° 30'		CUSTOMER DRAWING	SCALE	10:1	SHEET
FINISH		SEE TABLE	SCALE	10:1	1 OF 1
MATERIAL		PHOS BRONZE PER QQ-B-750	SCALE	10:1	REV
FINISH		SEE TABLE	SCALE	10:1	H1

X-ON Electronics

Largest Supplier of Electrical and Electronic Components

Click to view similar products for [D-Sub Contacts](#) category:

Click to view products by [TE Connectivity](#) manufacturer:

Other Similar products are found below :

[173112-0723](#) [173112-0393](#) [173112-0389](#) [173112-0750](#) [173112-0912](#) [D02-22-22P-10000](#) [D02-22-26S-10000](#) [FMP009P104](#) [FMP010P104](#)
[FMP010S104](#) [FMP016P104](#) [FMP051S110](#) [FMX006S128B](#) [131A11039X](#) [131J21029X](#) [132J22039X](#) [132A11029X](#) [132A11049X](#)
[132C12029X](#) [RMPIR01S02E2RLF](#) [DM53744-1](#) [1757912-1](#) [188582-000](#) [162A11839X](#) [162A11889X](#) [1757913-1](#) [FMP006S110](#)
[FMP008P104](#) [FMP009S104](#) [FMP139S115](#) [212558-1](#) [D02-22-26P-10000](#) [L17DM53744217](#) [030-1955-000](#) [030-50634](#) [053744-0098](#)
[601064N004](#) [601098N003](#) [6-745288-2](#) [D-610-10CS2962](#) [86303057NLF](#) [DM537425001NCLF](#) [173112-0045](#) [162A11819X](#) [1731120397](#) [40-](#)
[9854MP](#) [1-208778-5](#) [1-745288-3](#) [173112-0455](#) [121A05329A](#)