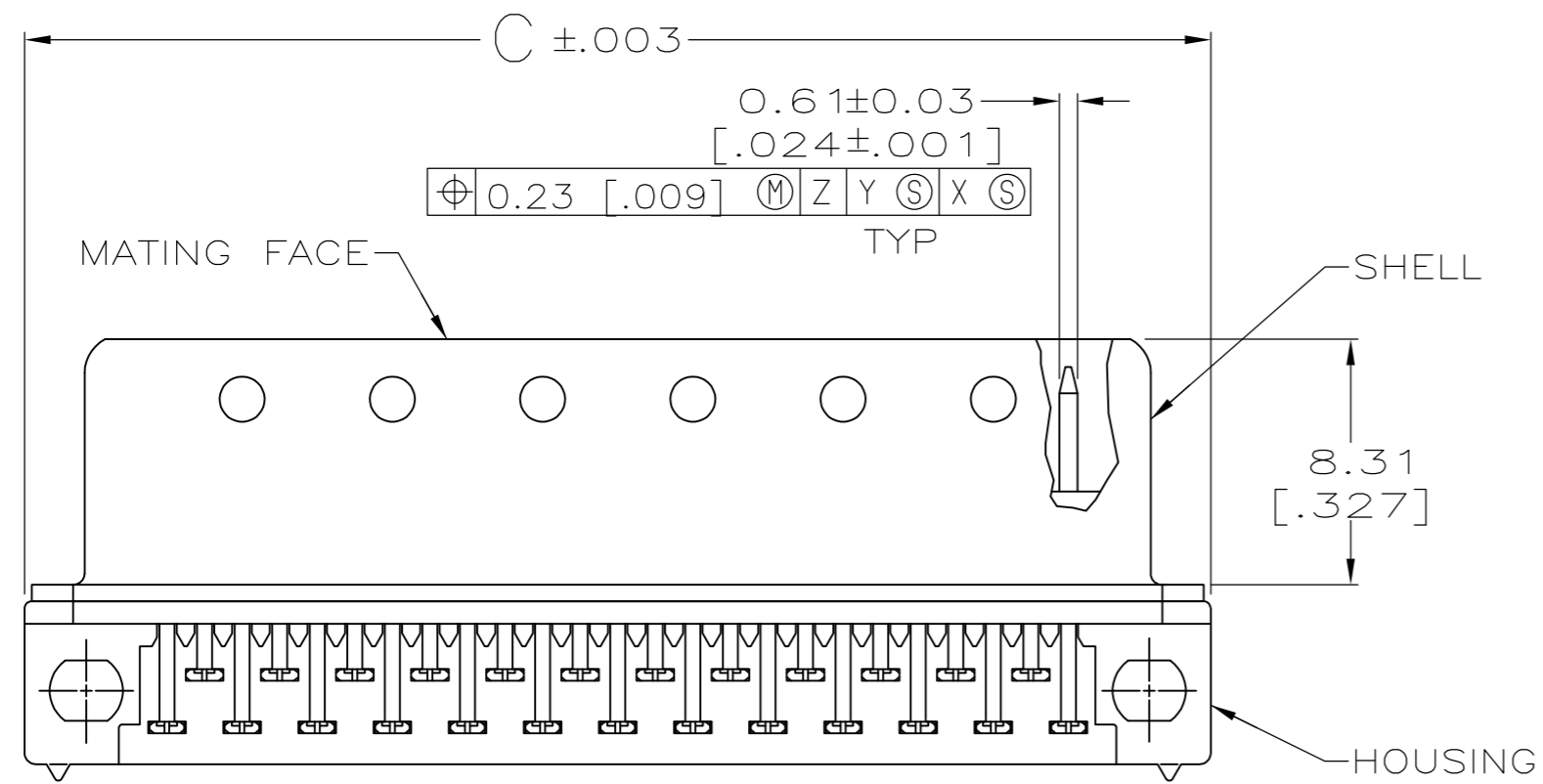
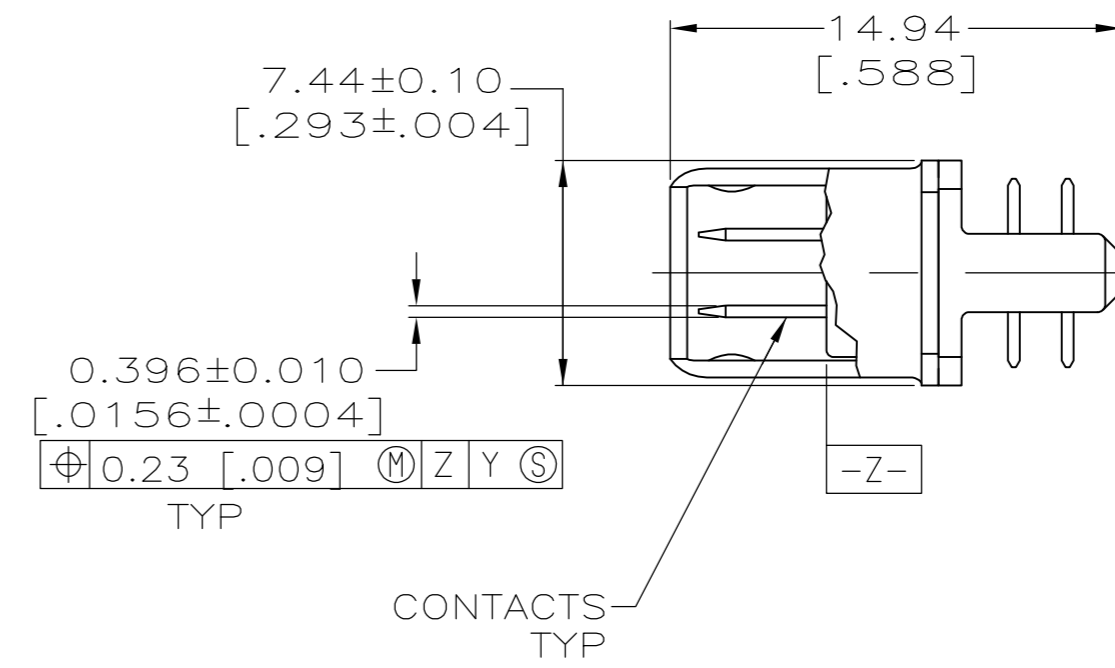
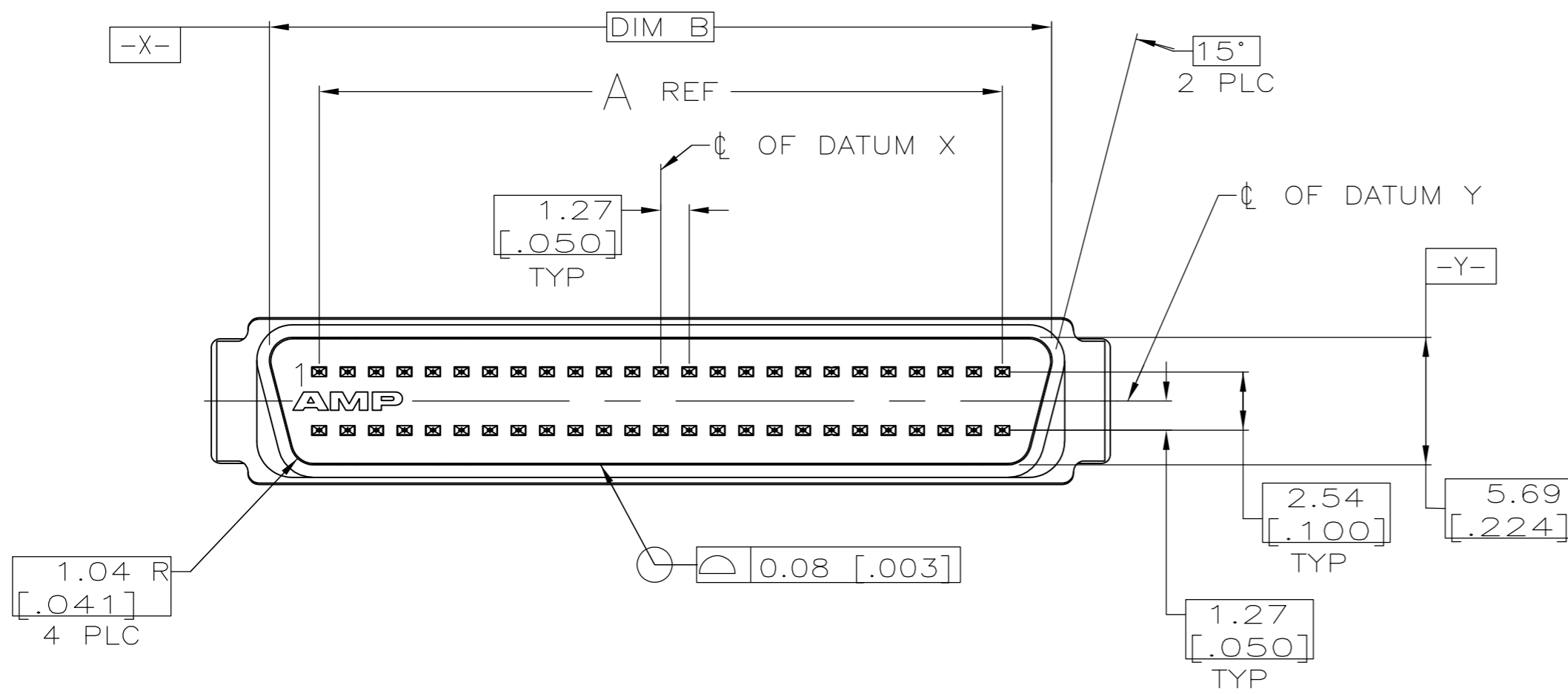


THIS DRAWING IS UNPUBLISHED. RELEASED FOR PUBLICATION
 © COPYRIGHT BY TYCO ELECTRONICS CORPORATION. ALL RIGHTS RESERVED.

LOC		DIST		REVISIONS			
P	LTR	DESCRIPTION		DATE	DWN	APVD	
GP	00	E		REVISED PER ECO-09-013070	6JUN2009	ZMR	SLB



- MATERIAL**
 CONTACTS: PHOSPHOR BRONZE.
 SHELL: CARBON STEEL.
 HOUSING: NYLON OR POLYESTER, UL 94V-0 RATED, BLACK.
- FINISH**
 CONTACTS: EITHER 0.76µm [.000030] MIN GOLD PLATE OR GOLD FLASH OVER PALLADIUM NICKEL PLATE 0.76µm [.000030] MIN TOTAL FOR A LENGTH OF 3.35 [.132] MIN FROM MATING END, 1.27µm [.000050] MIN TIN-LEAD ON OPPOSITE END, BOTH OVER 1.27µm [.000050] MIN NICKEL.
 SHELL: 0.25µm [.000010] MIN TIN-NICKEL OVER 3.81µm [.000150] MIN NICKEL OVER 2.54µm [.000100] MIN COPPER.
- RECOMMENDED WIRE: 28 AWG OR 30 AWG, SOLID OR 7 STRAND, WITH A 0.74-0.91 [.029-.036] INSULATION DIAMETER. WIRE MUST BE APPROVED BY AMP INCORPORATED.

OBSOLETE	24.87 [.979]	19.61 [.772]	15.24 [.600]	26	749110-2
	40.11 [1.579]	34.85 [1.372]	30.48 [1.200]	50	749110-1
	C	B	A	NO OF POSN	PART NUMBER

THIS DRAWING IS A CONTROLLED DOCUMENT.		DWN	L.SIPE	12/13/91	Tyco Electronics Corporation Harrisburg, PA 17105-3608
DIMENSIONS: mm [INCHES]		CHK	R.STONE	12-19-91	
TOLERANCES UNLESS OTHERWISE SPECIFIED:		APVD	-	-	NAME
0 PLC ± - 1 PLC ± - 2 PLC ± 0.13 [.005] 3 PLC ± - 4 PLC ± - ANGLES ± -		PRODUCT SPEC	108-1228	APPLICATION SPEC	114-40029
MATERIAL	FINISH	WEIGHT	-	SIZE	A2
1	2	CUSTOMER DRAWING	SCALE	4:1	SHEET
				NO OF POSN	749110
				DRAWING NO	C=749110
				RESTRICTED TO	-
				SCALE	4:1
				SHEET	1 OF 1
				REV	E

X-ON Electronics

Largest Supplier of Electrical and Electronic Components

Click to view similar products for [I/O Connectors](#) category:

Click to view products by [TE Connectivity](#) manufacturer:

Other Similar products are found below :

[571763P](#) [58098-0628](#) [61-168618-12P](#) [D38999/20FJ24PA L/C](#) [D38999/20FJ29SB L/C](#) [D38999/24FG11SN L/C](#) [72.250.1628.2](#) [72.250.2428.2](#)
[74720-0505](#) [76.350.0729.0](#) [76871-1403](#) [FCN-244F080-G/1](#) [FCN-260A9920](#) [FCN-268D024-G/2F#10X-R10](#) [PCS-E50FA](#) [PCS-XE26LKA](#)
[PCS-XE26MA+](#) [PCS-XES68MS+](#) [G38A71314B](#) [91-569719-35R](#) [9776-18-6](#) [DX40-50P\(55\)](#) [1571250010](#) [157-22500-3](#) [MS3476W12-10S](#)
[L/C](#) [1888020-8](#) [91-569786-35H](#) [91-569786-35M](#) [91-644626-35P](#) [172501-4002](#) [172501-6002](#) [FCN-260C008-A/L0](#) [FCN-260C024-AL0](#)
[FCN-261Z008](#) [FCN-268D008-G/1K](#) [2000314-1](#) [200331-1](#) [2007498-2](#) [PCR-E28LMDAG1+](#) [PCR-E36FC+](#) [PCS-E28FS+](#) [PCS-XE26SLFD+](#)
[PCS-XE26SLFDT+](#) [G38A71214B](#) [HDRA-E68W1LFDTC-SL+](#) [HDR-E14MSG1+](#) [R88A-CNK81S](#) [CRT1-ATT02](#) [54182-0605](#)
[U90B2054081210](#)