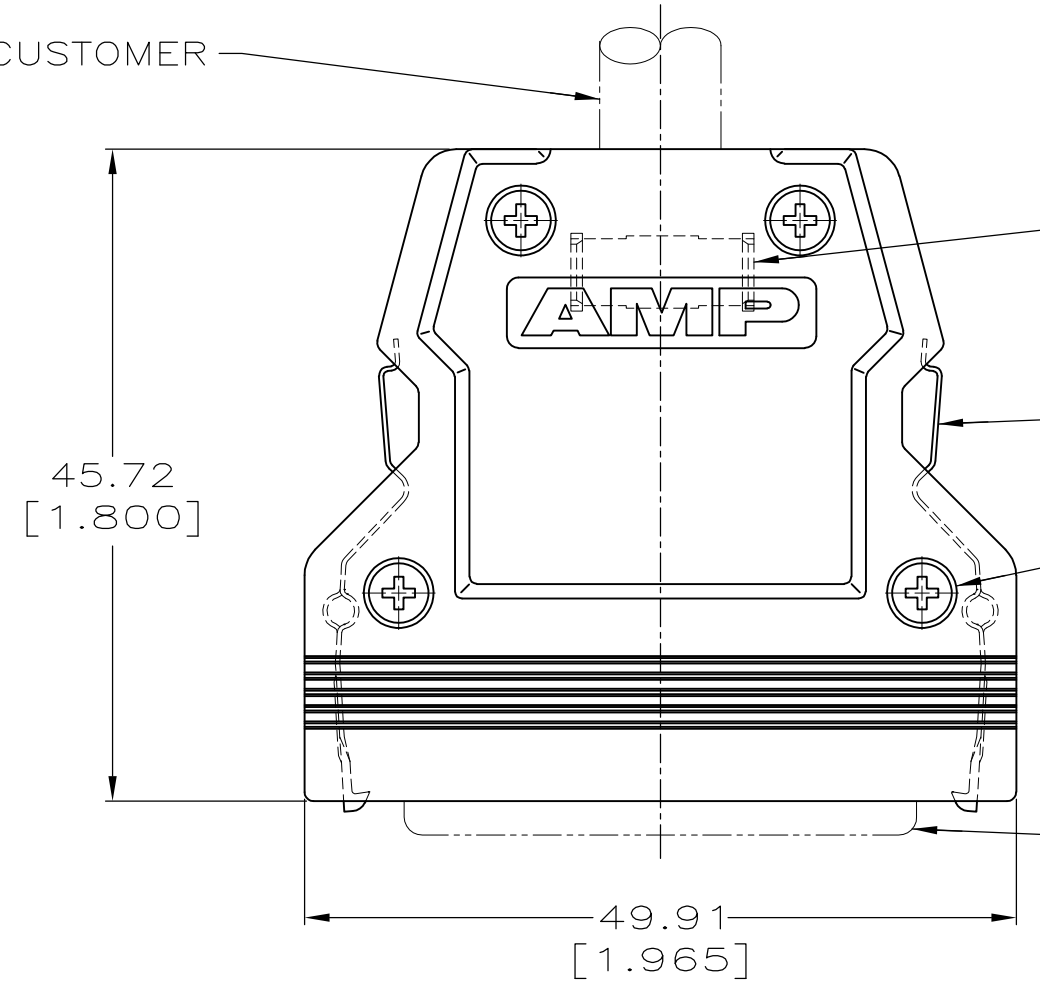


THIS DRAWING IS UNPUBLISHED. RELEASED FOR PUBLICATION
 © COPYRIGHT BY TYCO ELECTRONICS CORPORATION. ALL RIGHTS RESERVED.

LOC	DIST	REVISIONS			
P	LTR	DESCRIPTION	DATE	DWN	APVD
GP	00				
	0	RELEASED PER EC 0513-0287-05	17NOV05	JG	SS
	01	REVISED PER ECO-10-000444	20JAN10	KK	HMR

CABLE SUPPLIED BY CUSTOMER
 Ø.480 MAX



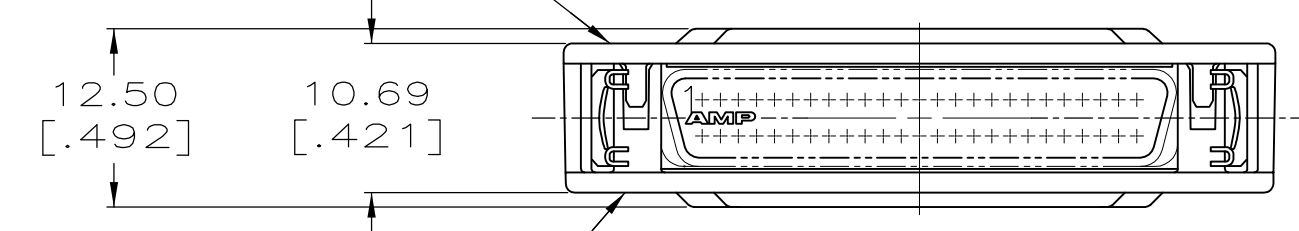
STRAIN RELIEF STAPLE (1 SUPPLIED)
 MATERIAL: STEEL
 FINISH: BRIGHT TIN OVER NICKEL

SPRING LATCH (2 SUPPLIED)
 MATERIAL: STAINLESS STEEL

MACHINE SCREW (4 SUPPLIED)
 #2-56 UNC X.250
 STAINLESS STEEL

CONNECTOR (MUST BE PURCHASED SEPARATELY)

UPPER BACKSHELL (1 SUPPLIED)
 MATERIAL: ZINC
 FINISH: NICKEL OVER COPPER



LOWER BACKSHELL (1 SUPPLIED)
 MATERIAL: ZINC
 FINISH: NICKEL OVER COPPER

- ⚠ PARTS PACKAGED AS A UNIT KIT.
- ⚠ PARTS INDIVIDUALLY BULK PACKAGED & SHIPPED AS A UNIT PACKAGE.
- ⚠ OBSOLETE PARTS: OBSOLETE CIS STREAMLINING PER D.RENAUD/D.SINISI

⚠ 3	OBSOLETE	⚠ 2	-5749889-4-
		⚠ 1	5749889-3
	PACKAGING		PART NO

**COPYRIGHT 2005
 TYCO ELECTRONICS CORP
 ALL RIGHTS RESERVED**

THIS DRAWING IS A CONTROLLED DOCUMENT.		DWN J.GERACE 17NOV05	Tyco Electronics Corporation Harrisburg, PA 17105-3608	
DIMENSIONS: mm[INCHES]		CHK S.SHUEY 17NOV05	NAME M.WALMSLEY	
TOLERANCES UNLESS OTHERWISE SPECIFIED:		APVD M.WALMSLEY 17NOV05	PRODUCT SPEC	
0 PLC ± -		APPLICATION SPEC		
1 PLC ± -		WEIGHT -		
2 PLC ± 0.38 [.015]		SIZE A2 CAGE CODE 00779 DRAWING NO G-5749889		
3 PLC ± -		RESTRICTED TO -		
4 PLC ± -		SCALE 2:1 SHEET 1 OF 1 REV 01		
ANGLES ± ± -		CUSTOMER DRAWING		
FINISH				
SEE CALLOUTS				

5749889

A

X-ON Electronics

Largest Supplier of Electrical and Electronic Components

Click to view similar products for [D-Sub Backshells](#) category:

Click to view products by [TE Connectivity](#) manufacturer:

Other Similar products are found below :

[173114-0084](#) [173112-1658](#) [600X51137X](#) [600X54009X](#) [66241-12A](#) [M85049/48-1-2](#) [M85049/48-3-5F](#) [M85049/6-38N](#) [M85049/86-12N03](#)
[70.350.0636.4](#) [70.350.2435.1](#) [72.350.1035.2](#) [72.352.2435.1](#) [73.359.4035.3](#) [799-015TMH07M](#) [799-015TMH08N](#) [FKH1RE](#) [829472-1](#) [F-](#)
[PHG-1E](#) [F-PHG-3E](#) [F-PHG-4E](#) [F-PHR-4E](#) [PCS-E20W](#) [8655MHRA0901KLF](#) [8655MHRA2501KLF](#) [958-009-010R011](#) [970-015-040R011](#)
[970-025-030R121](#) [970-025-040R011](#) [971-009-030R121](#) [971-009-040R011](#) [971-015-040R011](#) [971-025-040R011](#) [GS85049/38-25M](#) [975T009-](#)
[020R121](#) [975T015-020R121](#) [1-21986-2](#) [1-21986-5](#) [DB-20962](#) [DE-C8-J9-F4-1R](#) [DE-C8-J9-F5-1R](#) [DPH-B-003](#) [1437013-9](#) [1484402-8](#)
[MS3057-10A](#) [156-3025-EX](#) [MS3417-16C](#) [16-500800](#) [165X02659X](#) [165X03329A](#)