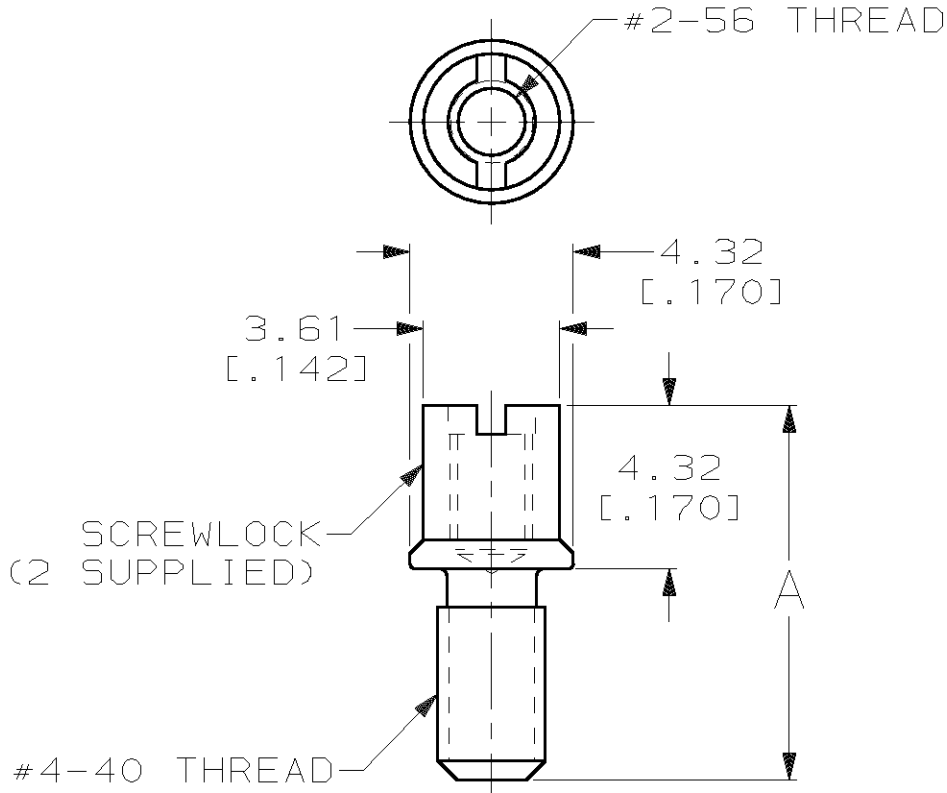


LOC	DIST	REVISIONS					
BD	95	P	LTR	DESCRIPTION	DATE	DWN	APVD
			B	REV PER ECN BD6083	07 AUG 92	-	RW
			C	OBS -2 PER EC 0020-481-96	13 FEB 97	DH	LB
			D	REACTIVATED -2	29 JAN 99	BC	DR
				PER EC 0G40-30-99			



1. KIT TO BE USED WITH CONNECTORS MOUNTED TO PANELS HAVING A THICKNESS OF 1.19[.047].

- 2 COMPONENTS BULK PACKED.
- 3 INDIVIDUAL KIT PACKAGE.

2/2	9.91 [.390]	750831-2
2/3	9.91 [.390]	750831-1
QUANTITY	A	PART NO

RELEASED FOR PUBLICATION

THIS DRAWING IS UNPUBLISHED.

BY AMP INCORPORATED. ALL RIGHTS RESERVED.

DIMENSIONS: mm [INCHES]	DWN	M.E.SHIRK	30 SEP 91	MATERIAL	-	FINISH	-
	CHK	J.P.HUSS	30 SEP 91	AMP Incorporated Harrisburg, PA 17105-3608			
TOLERANCES UNLESS OTHERWISE SPECIFIED:	APVD	R.N.WHITEMAN	01 OCT 91				
	0 PLC	±-	PRODUCT SPEC	108-1366	NAME	SCREWLOCK KIT, FEMALE, SLIMLINE, AMPLIMITE™ .050 SERIES	
1 PLC	±-	APPLICATION SPEC	114-40036	SIZE	A4	CAGE CODE	00779
2 PLC	±0.38[.015]	WEIGHT	-	DRAWING NO	C-750831		
3 PLC	±-	CUSTOMER DRAWING		SCALE	5:1	SHEET	1 OF 1
4 PLC	±-			REV	D		
ANGLES	±-						

X-ON Electronics

Largest Supplier of Electrical and Electronic Components

Click to view similar products for [D-Sub Tools & Hardware](#) category:

Click to view products by [TE Connectivity](#) manufacturer:

Other Similar products are found below :

[000-01-09-132](#) [000-01-21-132](#) [000-01-31-162](#) [572019-00105-70](#) [000-01-37-162](#) [621-250-113-115](#) [D110550-2](#) [D20418-137](#) [780-518-50SG6-WS](#) [86552009](#) [86553115TLF](#) [86553117TLF](#) [1230032-1](#) [1-5021101-2](#) [15-000050](#) [1589283-4](#) [160-000-005R031](#) [16-000230](#) [160-025-004R031](#) [160-000-137R000](#) [160-020-209R000](#) [160X10909X](#) [164C03939A](#) [177-505-A-2-2](#) [1-966830-8](#) [21018-6](#) [21028-2](#) [2-1393560-9](#) [JS-1000](#) [L17D204182M3E](#) [L17D53018](#) [300X10779X](#) [160X10189X](#) [160X10419X](#) [162-000-050R000](#) [21018-5](#) [212561-3](#) [248C21550X](#) [CF15P](#) [QLOCKPOST-2](#) [D110277](#) [500-008NF1K-01](#) [500-008NF3R3KS-01](#) [500-017M09FN](#) [500-017M15MHN](#) [500-024M1](#) [500-068M3](#) [5-1393561-5](#) [C115373-0001](#) [C115373-0002](#)