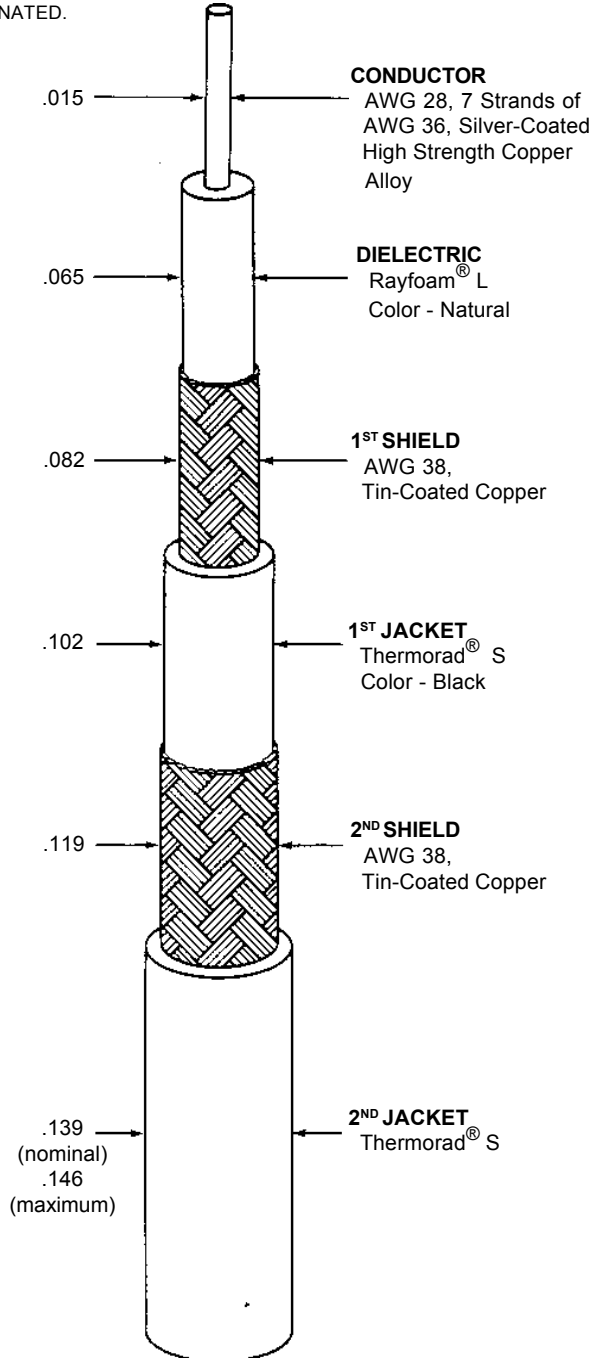


THIS SPECIFICATION SHEET FORMS A PART OF THE LATEST ISSUE OF RAYCHEM SPECIFICATION 1200.

**CONSTRUCTION DETAILS**

DIMENSIONS ARE NOMINAL VALUES IN INCHES UNLESS OTHERWISE DESIGNATED.



**ELECTRICAL CHARACTERISTICS**

CHARACTERISTIC IMPEDANCE	75 ± 3 ohms, Method B
CAPACITANCE	17.8 pF/ft. (nominal) at 1 kHz 19.0 pF/ft. (maximum) at 1 kHz
VELOCITY OF PROPAGATION	76% (nominal)

**ADDITIONAL REQUIREMENTS**

**ELECTRICAL**

CONDUCTOR RESISTANCE	74.0 ohms/1000 ft. (nominal)
INSULATION RESISTANCE (CONDUCTOR TO SHIELD)	10,000 megohms (minimum) for 1000 ft.
JACKET FLAWS	
SPARK TEST	1.0 kV (rms)
IMPULSE TEST	6.0 kV, (peak)
VOLTAGE WITHSTAND (DIELECTRIC)	
CONDUCTOR TO SHIELD	1000 volts (rms) (minimum)
SHIELD TO SHIELD	500 volts (rms) (minimum)

**ENVIRONMENTAL**

FLAMMABILITY	Method C
HEAT SHOCK	225°C
LOW TEMPERATURE- COLD BEND	-55°C/3.75 inch mandrel
VOLTAGE WITHSTAND (POST ENVIRONMENTAL)	1000 volts (rms), 1 minute

**PHYSICAL**

INSULATION (DIELECTRIC)	
ELONGATION	50% (minimum)
TENSILE STRENGTH	1000 lbf/in <sup>2</sup> (minimum)
JACKET (EACH)	
ELONGATION	200% (minimum)
TENSILE STRENGTH	2000 lbf/in <sup>2</sup> (minimum)
JACKET THICKNESS (EACH)	.010 inch (nominal)
SHIELD COVERAGE (EACH)	90% (minimum)

CABLE IDENTIFICATION Mark outer jacket in contrasting color at 12 inch (nominal) intervals: "7528A5314 - 06090"

WEIGHT 15.3 lbs/1000 ft. (nominal)

Outer jacket color will be black (designated by a "-0" appended to the part number, e.g. 7528A5314-0) unless otherwise specified.

Designate outer jacket color with a dash number in accordance with MIL-STD-681. Other codes and suffixes may be added to the part number, as necessary, to capture any additional requirements imposed by the purchase order.

Users should evaluate the suitability of this product for their application. Specifications are subject to change without notice. Tyco Electronics also reserves the right to make changes in materials or processing, which do not affect compliance with any specification, without notification to Buyer.

## X-ON Electronics

Largest Supplier of Electrical and Electronic Components

*Click to view similar products for [Coaxial Cables](#) category:*

*Click to view products by [TE Connectivity](#) manufacturer:*

Other Similar products are found below :

[89880-003-1000](#) [CY2389-000](#) [8221-010-U1000](#) [9116-010-U500](#) [1322R-010-1000](#) [1807A-B59-U1000](#) [2020K8421-9X-CS3417](#) [9251-010-1000](#) [9275-010-U1000](#) [935240-000](#) [980704-001](#) [CF2823-000](#) [33312-010-500](#) [CZ1589-000](#) [5022W0809-0CS3263](#) [10610-4-4](#) [EF8108-000](#) [1673B TIN100](#) [672525-001](#) [144517-000](#) [735A1-008-1000](#) [8212-010-U500](#) [480414-000](#) [7915A 009U1000](#) [5024A1311-0](#) [1281S5 010250](#) [1530A 010U1000](#) [9248 010U1000](#) [9244 0101000](#) [1694A 0081000](#) [1190A 0101000](#) [8241F J5C1000](#) [1674A TIN50](#) [7915A 0091000](#) [TRCH-50-2](#) [9066 0031000](#) [7805R 008100](#) [1674A TIN100](#) [9116SB 0101000](#) [9271 0061000](#) [1613A 0101000](#) [1807A B591000](#) [5339Q5 009U500](#) [539945 0091000](#) [9116R 0101000](#) [89207 010100](#) [9058 0101000](#) [8241A 0101000](#) [DA7805R 0101000](#) [C6424](#)