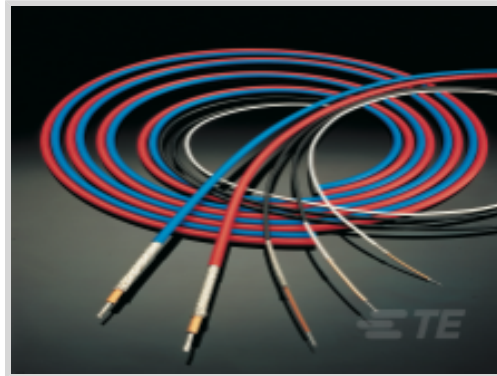




Wire & Cable > High Speed Digital & Data Cable

High Speed Digital & Data Cable Type: **Cheminax**Impedance: **75 Ω** Wire Size: **28 AWG**Operating Temperature Range: **-65 – 200 °C [-85 – 392 °F]**

Features

Product Type Features

Product Classification	Cable - Coaxial
Cable Style	Round Braided
Product Type	Cable
High Speed Digital & Data Cable Type	Cheminax

Electrical Characteristics

	17.8 pF/ft
Impedance	75 Ω

Signal Characteristics

Velocity of Propagation	77%
-------------------------	-----

Body Features

Shield Material	Tin-Plated Copper
Shield Style	Double
Jacket Color	Transparent White
Conductor Material	Silver-Plated High Strength Copper

Dimensions

Wire Diameter	.38 mm[.015 in]
Cable Dielectric Diameter	1.6 mm[.063 in]
Overall Outside Diameter	3.48 mm[.137 in]



Wire Size	28 AWG
-----------	--------

Usage Conditions

Operating Temperature Range	-65 – 200 °C [-85 – 392 °F]
-----------------------------	-----------------------------

Other

Dielectric Material	Rayfoam H
---------------------	-----------

Product Compliance

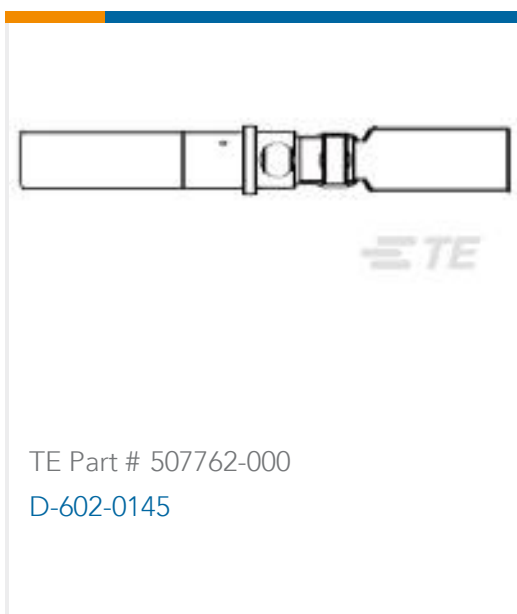
[For compliance documentation, visit the product page on TE.com>](#)

EU RoHS Directive 2011/65/EU	Compliant
EU ELV Directive 2000/53/EC	Compliant
China RoHS 2 Directive MIIT Order No 32, 2016	No Restricted Materials Above Threshold
EU REACH Regulation (EC) No. 1907/2006	Current ECHA Candidate List: JUN 2020 (209) Candidate List Declared Against: JAN 2019 (197) SVHC > Threshold: Not Yet Reviewed
Halogen Content	Out of Scope - excluded from Halogen requirements
Solder Process Capability	Not applicable for solder process capability

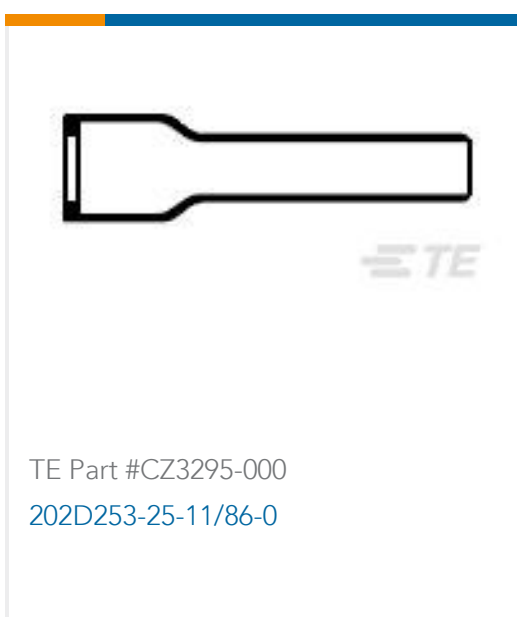
Product Compliance Disclaimer

This information is provided based on reasonable inquiry of our suppliers and represents our current actual knowledge based on the information they provided. This information is subject to change. The part numbers that TE has identified as EU RoHS compliant have a maximum concentration of 0.1% by weight in homogenous materials for lead, hexavalent chromium, mercury, PBB, PBDE, DBP, BBP, DEHP, DIBP, and 0.01% for cadmium, or qualify for an exemption to these limits as defined in the Annexes of Directive 2011/65/EU (RoHS2). Finished electrical and electronic equipment products will be CE marked as required by Directive 2011/65/EU. Components may not be CE marked. Additionally, the part numbers that TE has identified as EU ELV compliant have a maximum concentration of 0.1% by weight in homogenous materials for lead, hexavalent chromium, and mercury, and 0.01% for cadmium, or qualify for an exemption to these limits as defined in the Annexes of Directive 2000/53/EC (ELV). Regarding the REACH Regulation, the information TE provides on SVHC in articles for this part number is based on the latest European Chemicals Agency (ECHA) 'Guidance on requirements for substances in articles' posted at this URL: <https://echa.europa.eu/guidance-documents/guidance-on-reach>

Compatible Parts



Customers Also Bought



Documents

Product Drawings

7528J5424-9X

English

Datasheets & Catalog Pages

1654025_Sec9_CheminaxCables

English

Raychem Cheminax RF Coaxial Cables and RF Connectors Selection Guide

English



Product Specifications

Product Specification

English

X-ON Electronics

Largest Supplier of Electrical and Electronic Components

Click to view similar products for [Coaxial Cables](#) category:

Click to view products by [TE Connectivity](#) manufacturer:

Other Similar products are found below :

[89880-003-1000](#) [89913-010-1000](#) [633948-877-1000](#) [639948-877-1000](#) [643948-877-U1000](#) [CY2389-000](#) [8213-010-1000](#) [8221-010-U1000](#)
[8233-010-1000](#) [88281-010-500](#) [1322R-010-1000](#) [1505A-N3U-1000](#) [1523AP-010-1000](#) [1807A-B59-U1000](#) [9167-010-1000](#) [9251-010-1000](#)
[9275-010-U1000](#) [935240-000](#) [9659-010-1000](#) [980704-001](#) [1855P-010-1000](#) [CF2823-000](#) [33312-010-500](#) [CY2581-000](#) [CY2582-000](#)
[CZ1589-000](#) [5022W0809-0CS3263](#) [10610-4-4](#) [EF8108-000](#) [6139B8-009-1000](#) [613948-009-1000](#) [1673B TIN100](#) [633938-877-U1000](#)
[672525-001](#) [1530AP-877-1000](#) [144517-000](#) [1369R-010-1000](#) [134655-000](#) [8-1616396-1](#) [8263-010-U1000](#) [8263 010U500](#) [480414-000](#) [8262](#)
[010U1000](#) [7915A 009U1000](#) [5024A1311-0](#) [TRC-75-1](#) [1281S5 010250](#) [1281S5 000250](#) [1530A 010U1000](#) [1505A 0081000](#)